

Tree Protection Plan - RPA Lanvean Cottage

SCALE : 1 : 200 @ A3 DATE : 19/10/2023

MAP FILENAME : TPP V2



Map data shown may contain Ordnance Survey © products supplied by Pear Technology Services Ltd; Email: info@peartechology.co.uk © Crown Copyright and database rights from date shown above Ordnance Survey © licence number 100023148

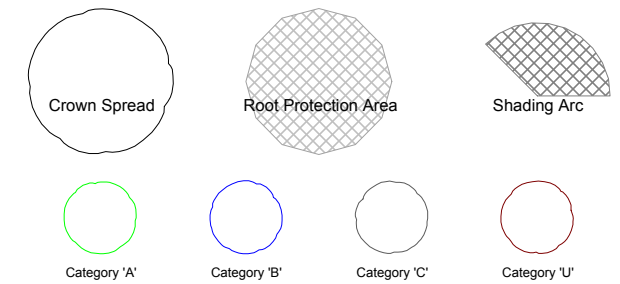
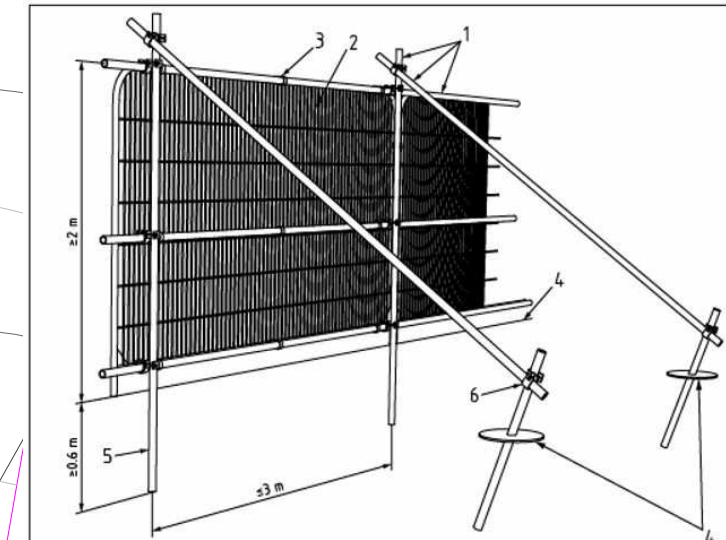





Figure 2 Default specification for protective barrier



- Key**
- 1 Standard scaffold poles
 - 2 Heavy gauge 2 m tall galvanized tube and welded mesh infill panels
 - 3 Panels secured to uprights and cross-members with wire ties
 - 4 Ground level
 - 5 Uprights driven into the ground until secure (minimum depth 0.6 m)
 - 6 Standard scaffold clamps

-  Construction Exclusion Zone
-  Tree Removed / Coppiced
-  Tree Protective Fence

Where any discrepancy between the topographic survey and the site setting out exists, please refer to the stated distances for the tree protective fencing.

