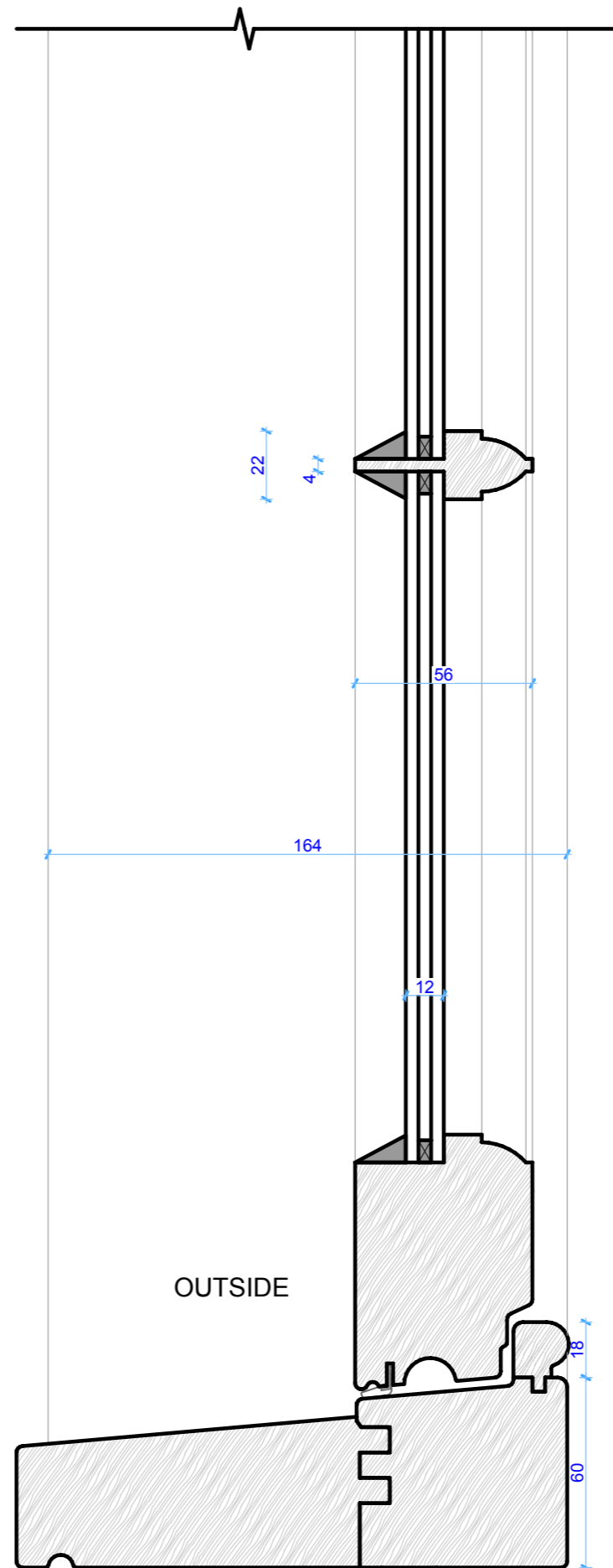


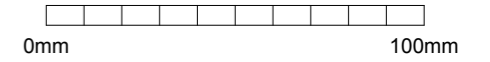
Detailed Section of Existing Typical Window Profile @ 1:2



Detailed Section of Proposed Typical Window Profile @ 1:2

**NOTE:**

- 1) © This drawing is the property of Crayon Architects and should not be copied, reproduced or used for the purpose other than which it has been prepared.
- 2) All dimensions to be checked on site.
- 3) Any discrepancies found in the plans, dimensions, existing conditions or any apparent error to be pointed out to the architect prior to commencement of work.



Rev Amendments

Date Drawn By



Office 12, 25 The Crescent, Plymouth, PL1 3AD  
01752 242073 www.crayonarchitecture.co.uk

client

**Mr & Mrs Jenkins**

job title

**Replacement Windows**

Woodside Cottage, 1 Woodside, Plymouth, PL4 8QE

drawing name

**Window Details 2**

drawing status

**LISTED BUILDING APPLICATION**

drawn by

**DA**

checked by

**AA**

date

**Oct '23**

drawing number

**2309\_LB16**

scale

**1:2@A3**