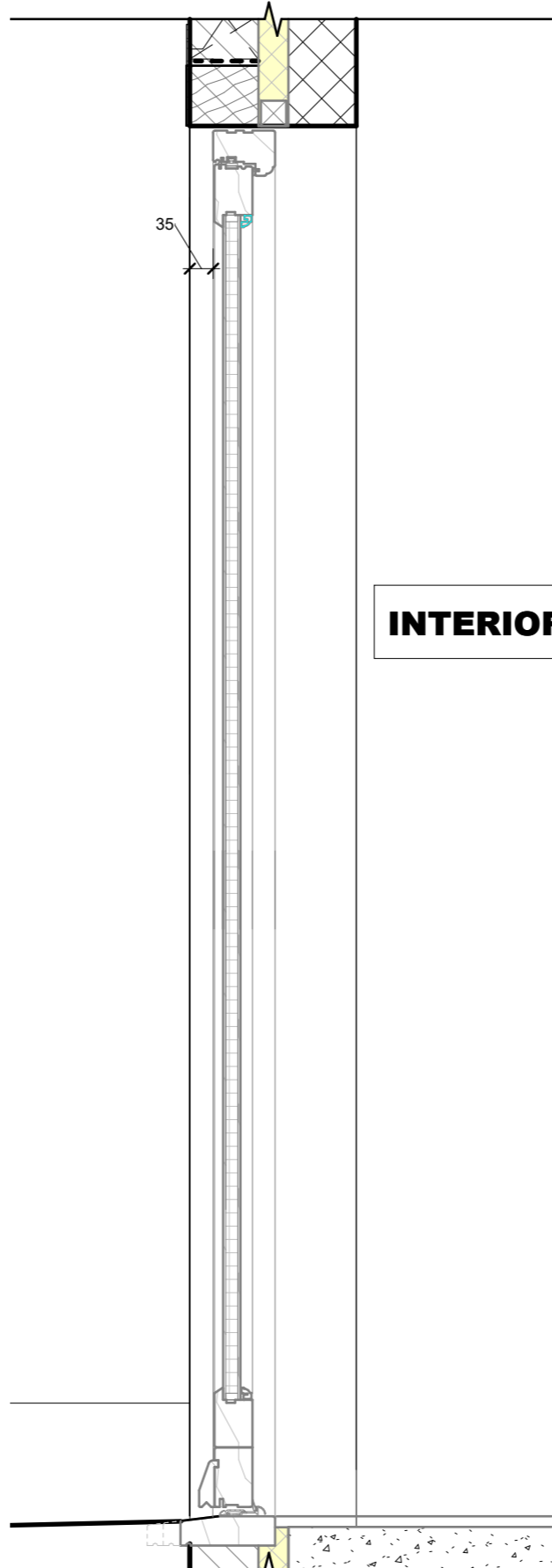
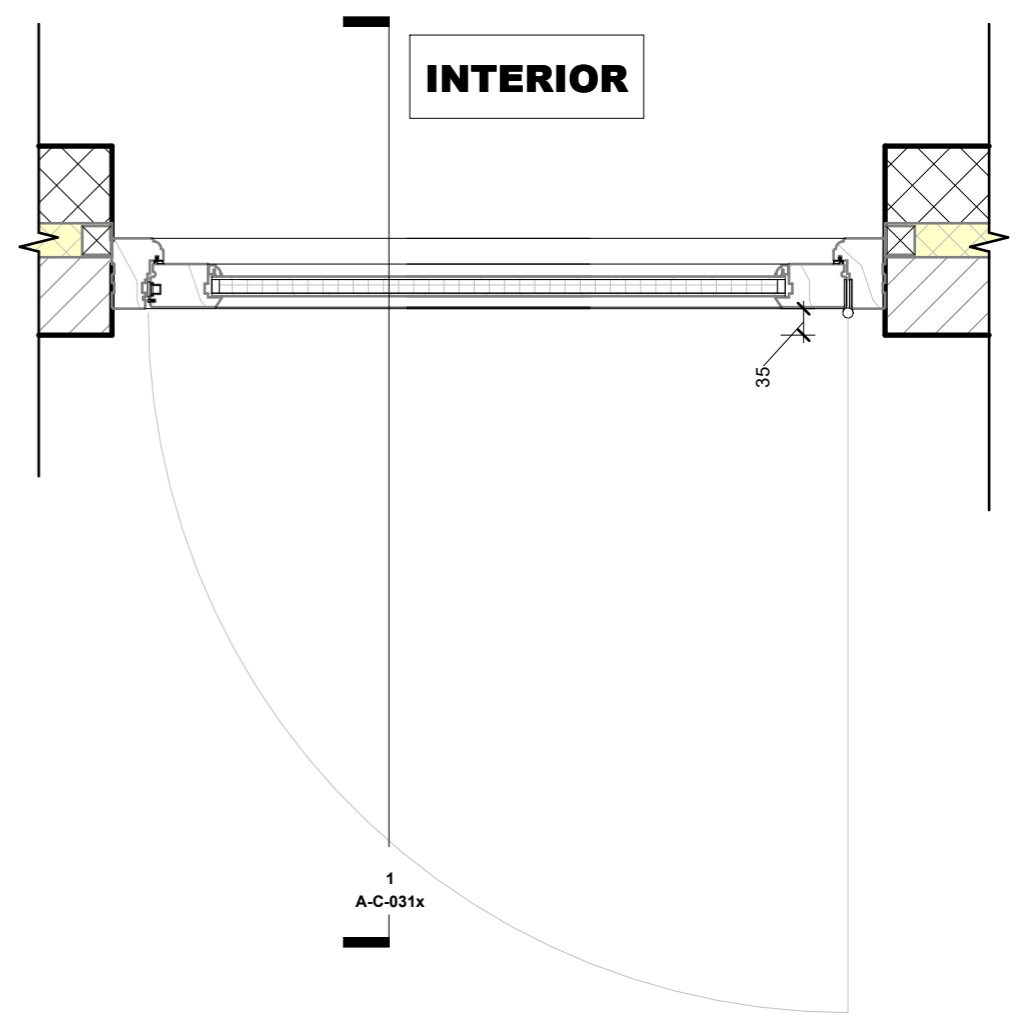


Entrance Door Elevation



Door Section



Door Plan

A3

KEY

PROJECT  
**Listed Building  
 Demolition and  
 Erection of New  
 Building**

CLIENT  
 Buildcore Ltd.  
 ADDRESS  
 Todenham,  
 Moreton-in-Marsh  
 GL56 9PF

TITLE  
 Door 01 Detail 01  
 PURPOSE OF ISSUE  
 Information

SCALE  
 1 : 10  
 JOB NO.  
 2301-GL

D  
 GP  
 C  
 MD  
 DRAWING NO.  
 A-C-065

DATE  
 12.07.2023  
 REVISION

**Buildcore  
 Construction Ltd.**  
 56 Upper Park Street  
 GL52 6SA Cheltenham