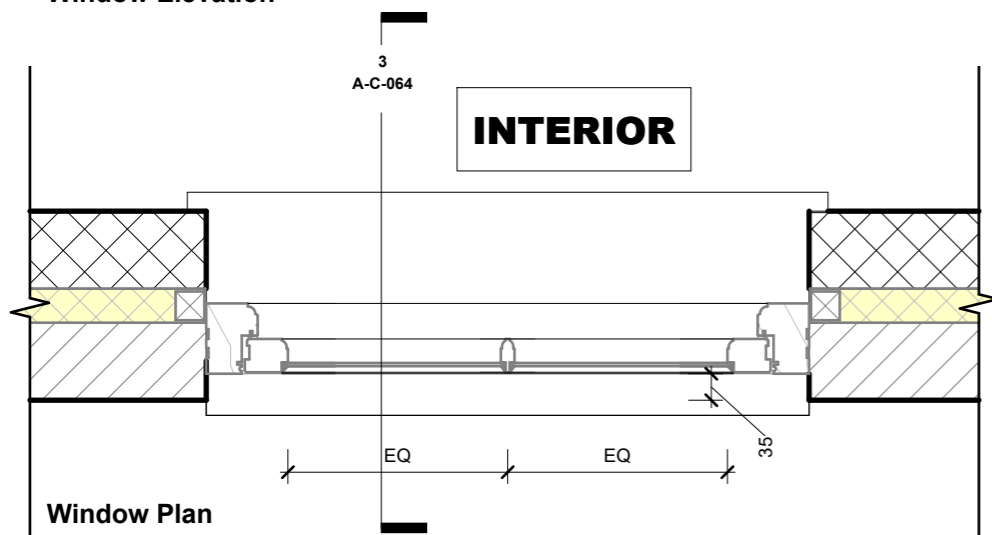
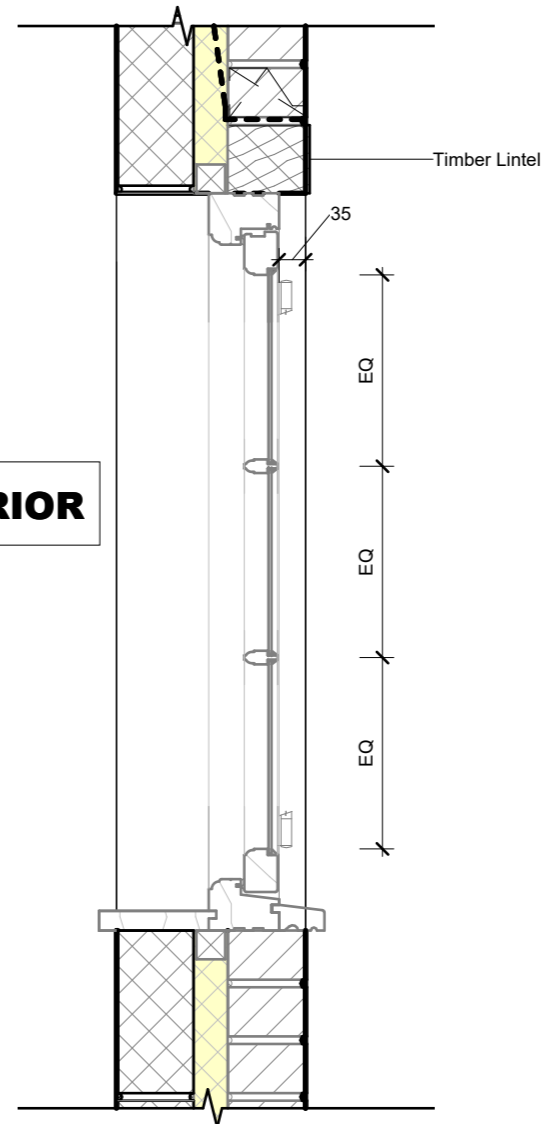


Window Elevation



Window Plan



Window Section

A3

KEY

PROJECT  
**Listed Building  
 Demolition and  
 Erection of New  
 Building**

CLIENT  
 Buildcore Ltd.  
 ADDRESS  
 Todenham,  
 Moreton-in-Marsh  
 GL56 9PF

TITLE  
 Window 02 Detail 01  
 PURPOSE OF ISSUE  
 Information

SCALE  
 1 : 10  
 JOB NO.  
 2301-GL

D C  
 MD MD  
 DRAWING NO.  
 A-C-064

DATE  
 12.07.2023  
 REVISION

**Buildcore  
 Construction Ltd.**  
 56 Upper Park Street  
 GL52 6SA Cheltenham