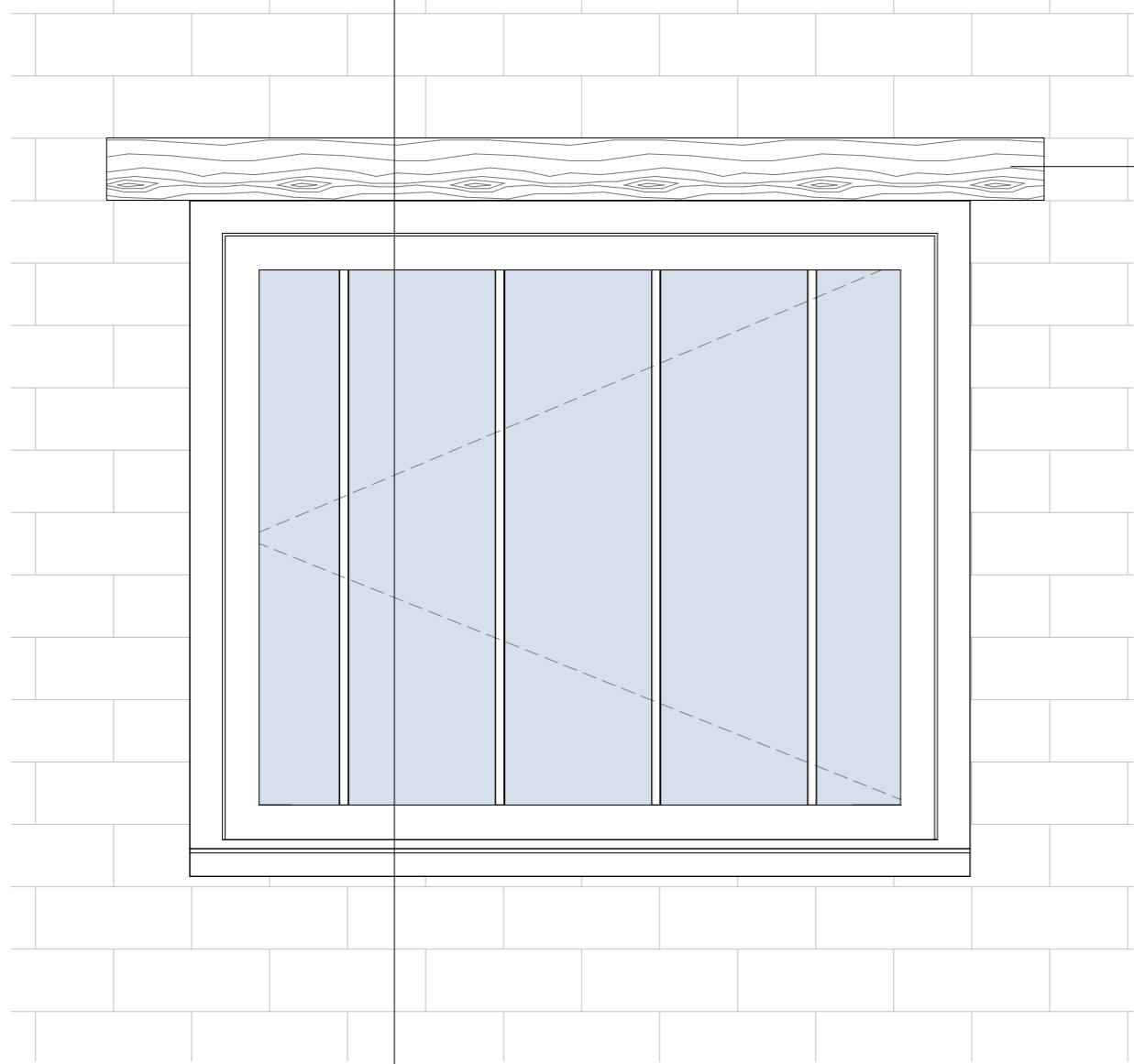
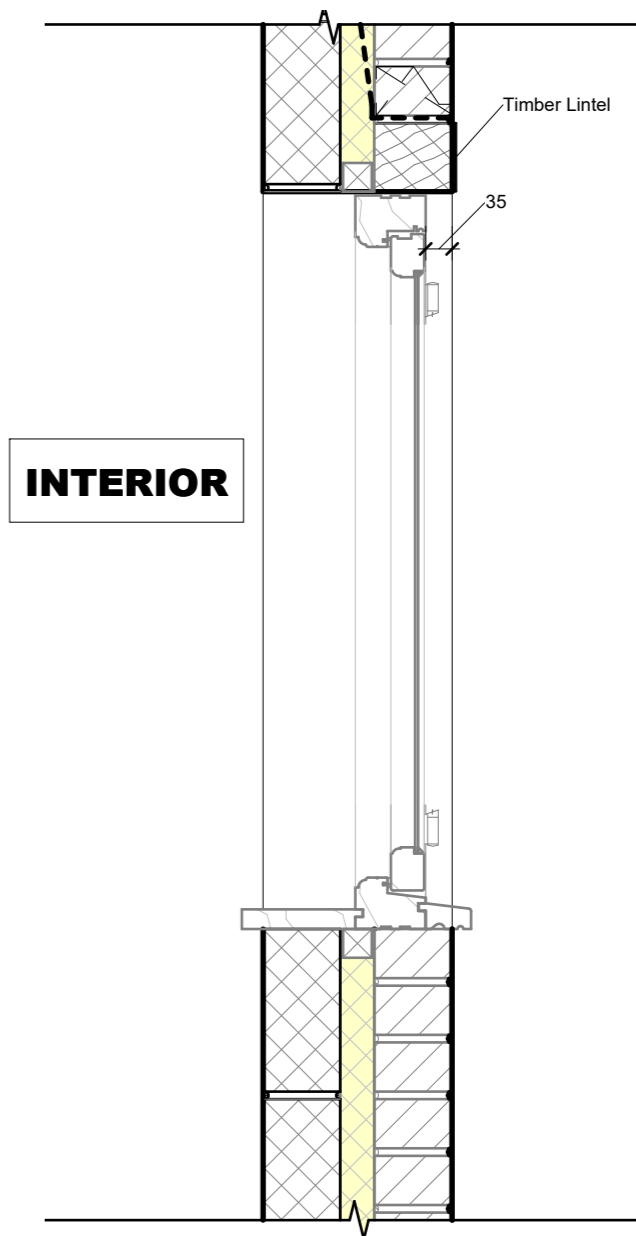


2
A-C-063



Timber Lintel

Window Elevation

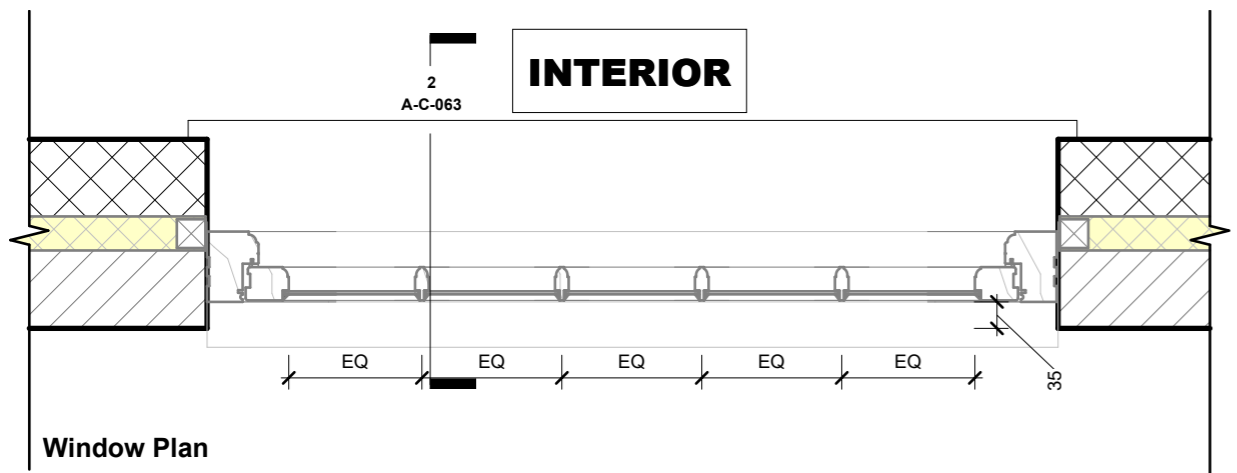


Timber Lintel

35

INTERIOR

Window Section



INTERIOR

2
A-C-063

EQ EQ EQ EQ EQ

35

Window Plan

A3

KEY

PROJECT
**Listed Building
Demolition and
Erection of New
Building**

CLIENT
Buildcore Ltd.

ADDRESS
Todenham,
Moreton-in-Marsh
GL56 9PF

TITLE
Window 01 Detail 01

PURPOSE OF ISSUE
Information

SCALE
1 : 10

JOB NO.
2301-GL

D C
MD MD

DRAWING NO.
A-C-063

DATE
12.07.2023

REVISION

**Buildcore
Construction Ltd.**
56 Upper Park Street
Cheltenham
GL52 6SA