



DESIGNER  
SHADE  
Solutions

# HI-QUALITY

Retractable Architectural Systems

# INDEX



## About Us

### **BIOCLAMATIC**

SKYLINE  
BASIC

### **PERGOLA**

BASIC SHADE

### **GLASS SYSTEMS**

SLIDING GLASS

### **ZIP SCREENS**

ART ZIP  
SKY ZIP

## **Designer Shade Solutions UK LTD**

Suite 202 Fab Offices 54-56 Victoria St , St Albans AL1 3HZ  
**T:** +44 (0)208 145 6216 **E:** hello@designershadesolutions.co.uk

[designershadesolutions.co.uk](http://designershadesolutions.co.uk)

# About Us

Designer Shade Solutions was founded over twenty years ago from the increasing demand for all-weather shade solutions in Australia. Over the years, the technology and products available have expanded and grown immensely, which allowed for our own expansion. Currently, we provide shade solutions for other destinations around the globe and have offices in London, Dublin as well as Sydney.

Our team is inclusive of designers, project managers, engineers and customer service consultants who are passionate about creating bespoke shading systems and delivering the best possible solutions for your requirements and specifications.

We provide a large selection of outdoor shade solutions to enhance the outdoor areas of any commercial or residential property, allowing our clients to make the most out of their outdoor spaces all year round, no matter the weather. This includes retractable louvre roof systems, fabric roof awnings, retractable fabric awnings, retractable glass structures, external screen blinds and vertical glass structures.

# Prodcuts



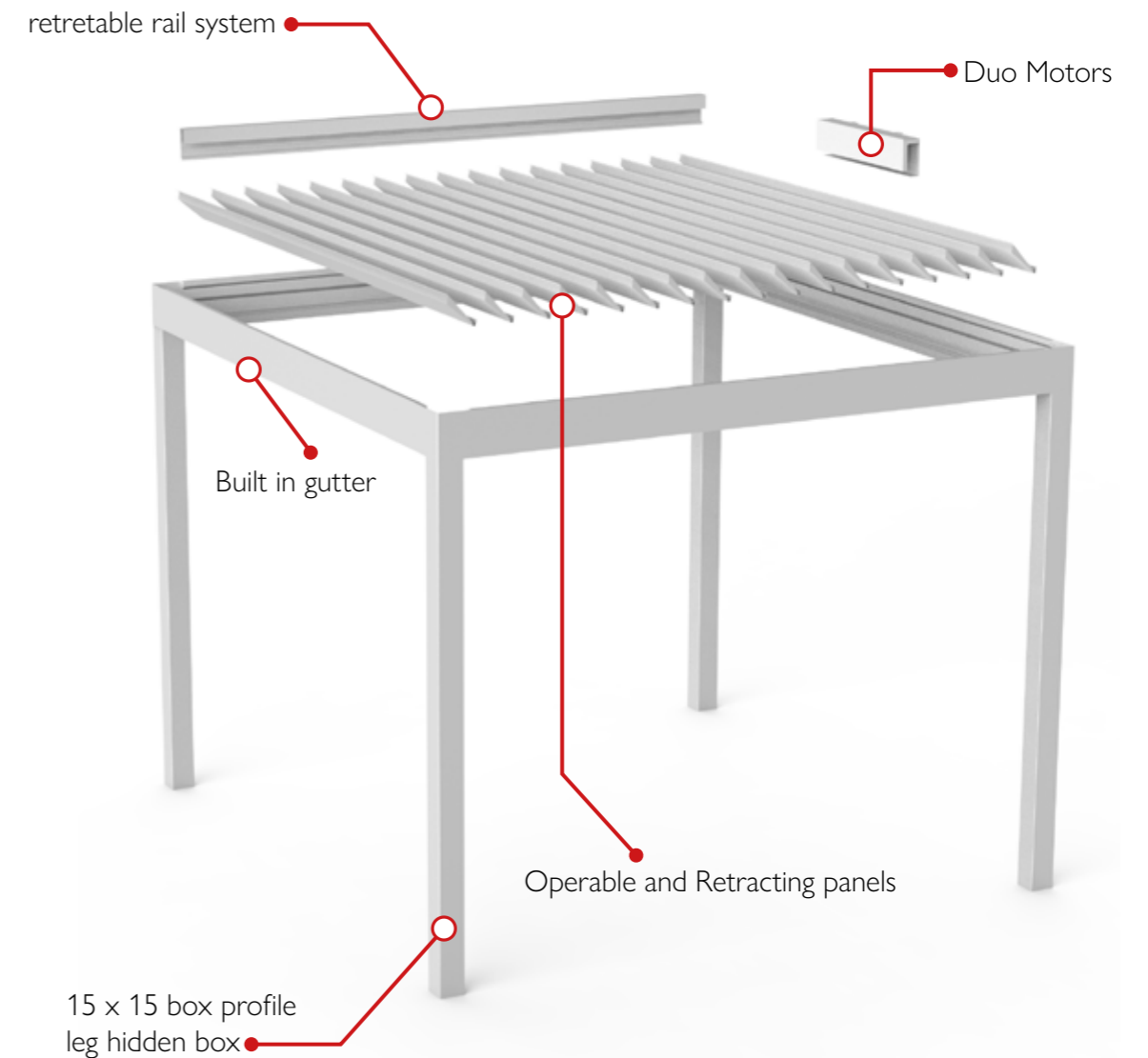
# BIOCLIMATIC SKYLINE



**Maximum Size**

Width 4m  
Length 6m  
24 sqm

- Retracting and Operating System
- Motorized options
- Built-in Water Drainage
- Optional LED
- Freestanding or Wall Mounted



## RETRACTING & OPERATING BIOCLIMATIC

DSS SKYLINE offers both a retractable and operable louvered roof system allowing the user to control as desired for partial ventilation or to retract fully to have an open roof. The system can be freestanding and also attached to an existing wall. DSS SKYLINE is a versatile product offering shading possibilities and ventilation with the panels operating separately of its retractable feature. With this solution an open area can be used year long.

Operating more quietly than comparable products our SKYLINE solution suits both commercial and residential projects. Architecturally enhancing, it will also protect your outdoor area from external factors such as rain, wind, and sun whilst aesthetically enhancing your added space with features such as LED lighting in a selection of colours. Fully remote controlled, we also offer an app to enable you to operate it from your mobile device if necessary.



**Open**

**Semi-Open**

**Closed**

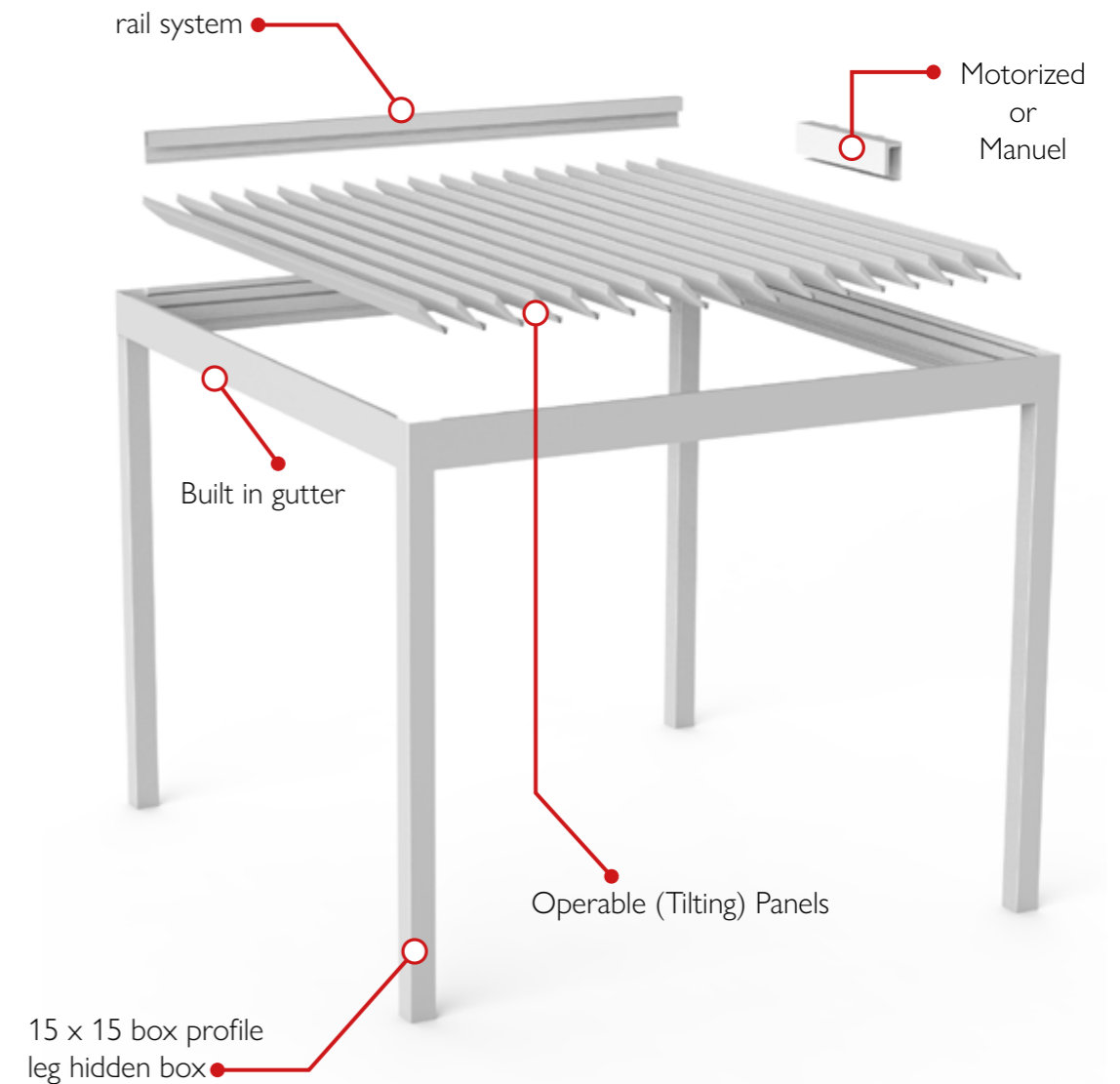
# BIOCLIMATIC BASIC



**Maximum Size**

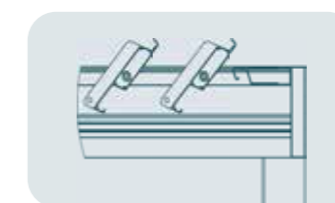
Width 4m  
Length 6m  
24 sqm

- Operating System (Tilting)
- Manuel and Motorized options
- Built in Water Drainage
- Freestanding or Wall Mounted

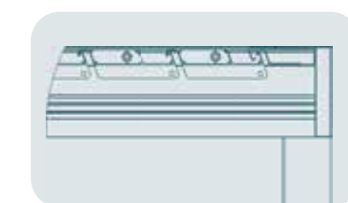


## TILTING BIOCLIMATIC ROOF

DSS BASIC BIOCLIMATIC offers a operable (tilt) louvered roof system allowing the user to control as a partial ventilation or closed as shadeing. The system can be freestanding and also attached to an existing wall. DSS BASIC BIOCLIMATIC is a versatile product offering shading possibilities and ventilation with the panels operating separately of its retractable feature. With this solution an open area can be used year long. Architecturally enhancing, it will also protect your outdoor area from external factors such as rain, wind, and sun whilst aesthetically enhancing your added space with features such as LED lighting in a selection of colours.



**Open**



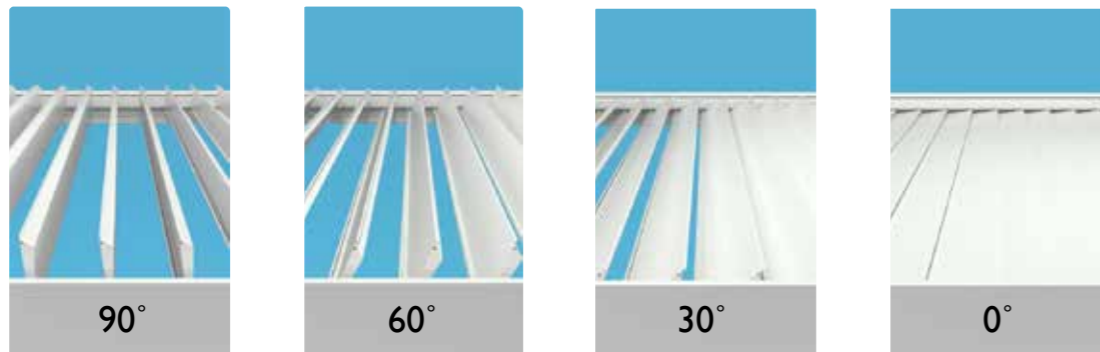
**Closed**

# BIOCLIMATIC

## ■ SKYLINE & BASIC

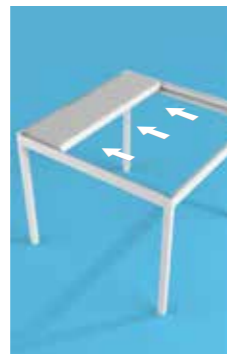
### Operation - Axis Movement

You are in full control of our panels in our bioclimatic roof system. Controls such as blocking sunlight from various angles, directing airflow with angled panels, or closing the panels completely to block rain are just as far away as your remote. Take control of the environment to allow extended enjoyment of your outdoor area.



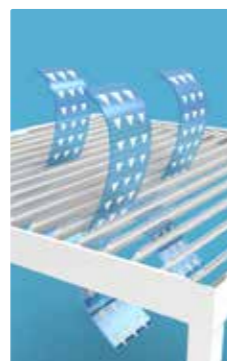
### Retraction Movement

Retraction feature of the Skyline bioclimatic model, whenever you want to enjoy the sky or the weather you can by pressing the button on your remote and retract the panels to have maximum open area.



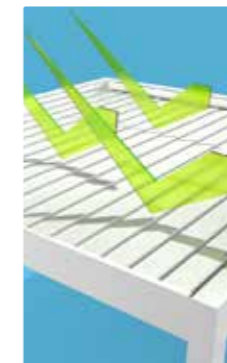
### Natural Air Flow

SKYLINE offers a natural ventilation operation and add freshness to your living space by directing the air flow in the ceiling by adjusting the angles of the panels designed with superior engineering.



### Complete Sun Protection

Thanks to the design of the panels that you want to cover the ceiling part completely, it provides full closure and reduces the light transmittance to 0. It offers successful shading against the sun's rays and protects your privacy.



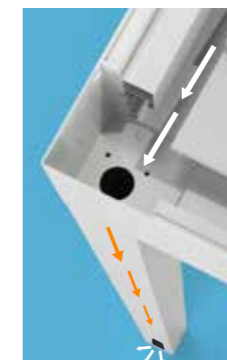
### Rain Protection

Our bioclimatic models are designed for 4-season use. Its fully sealing feature provides complete protection from the rain. In addition, our Skyline model is designed and has been tested to withstand snow loads of up to 50kg/m<sup>2</sup>.



### Built-in Water Discharge

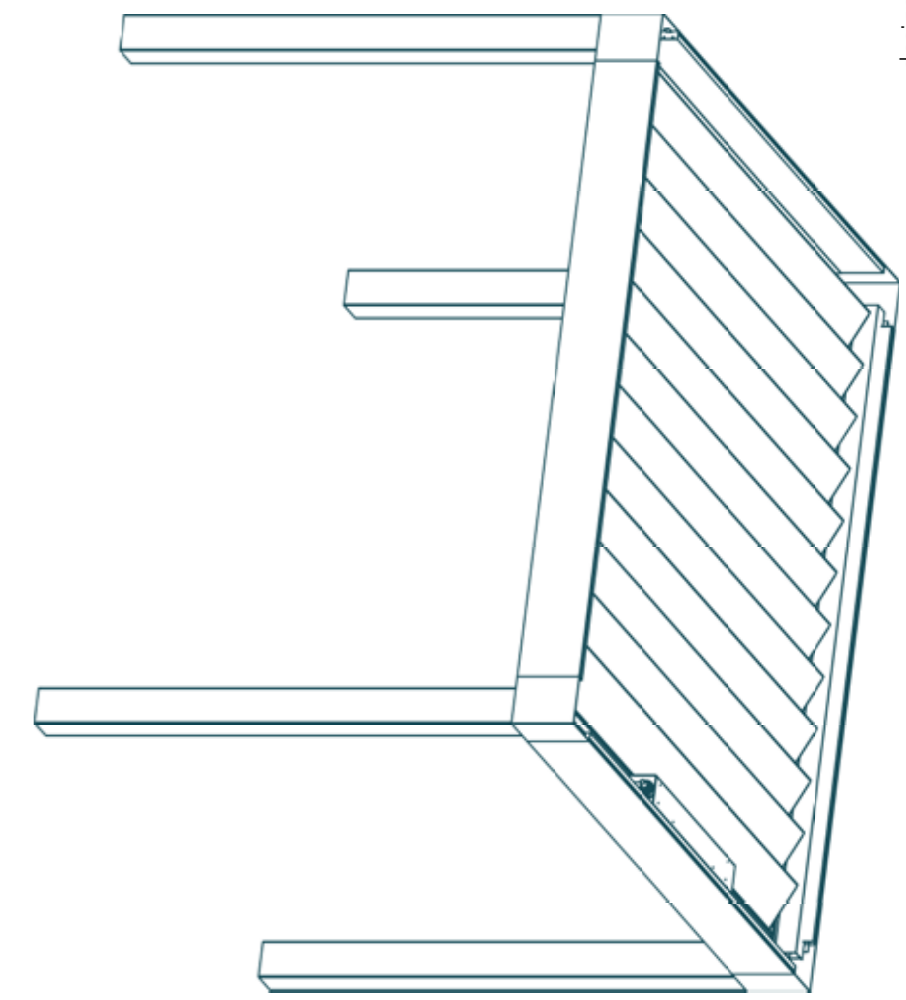
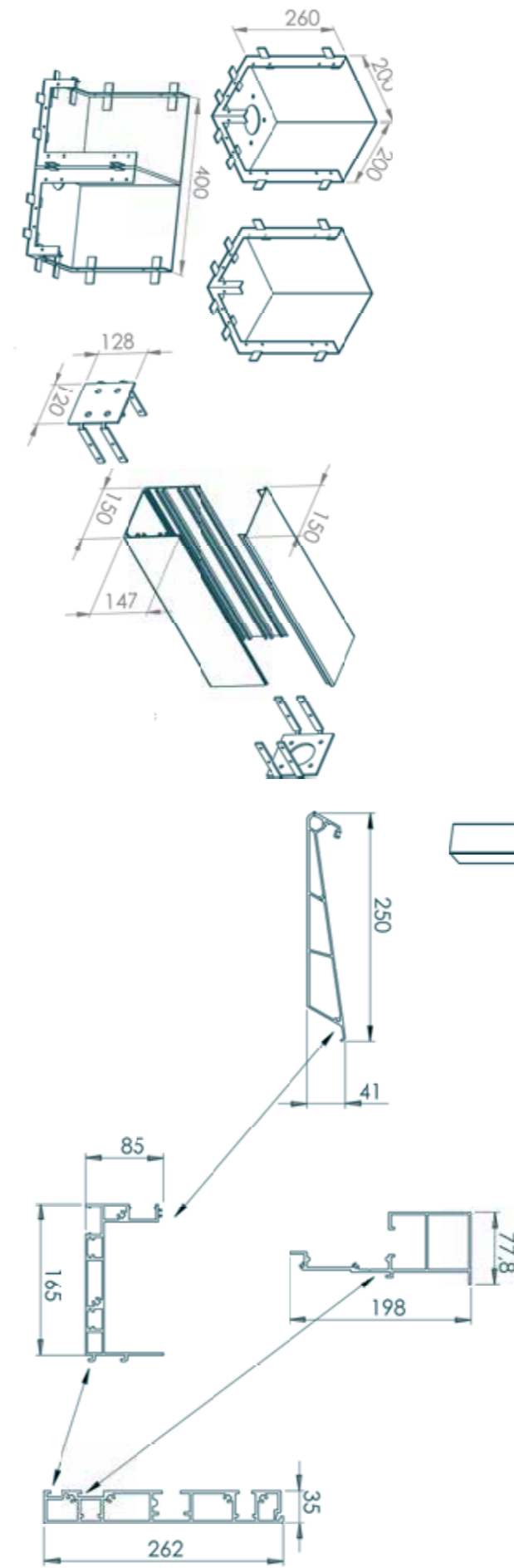
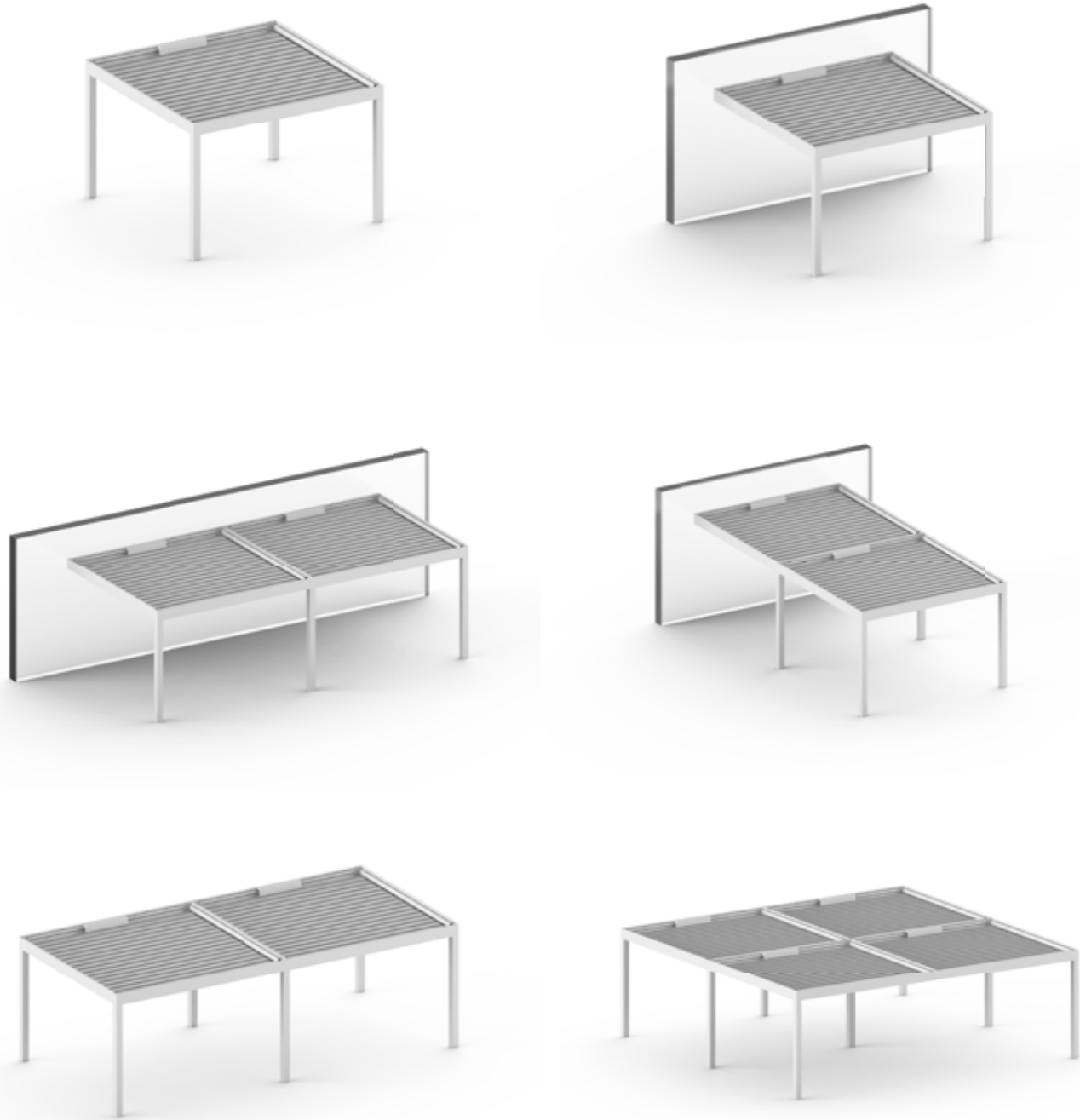
Our gutter and drainage system can drain water without any difficulty. The 4-sided gutter allows water to safely direct from the sides. In the design where water outlet can be given as desired according to your project, the water is stably discharged as legs act as a downpipe.



# BIOCLIMATIC

■ SKYLINE & BASIC

## Design Ideas



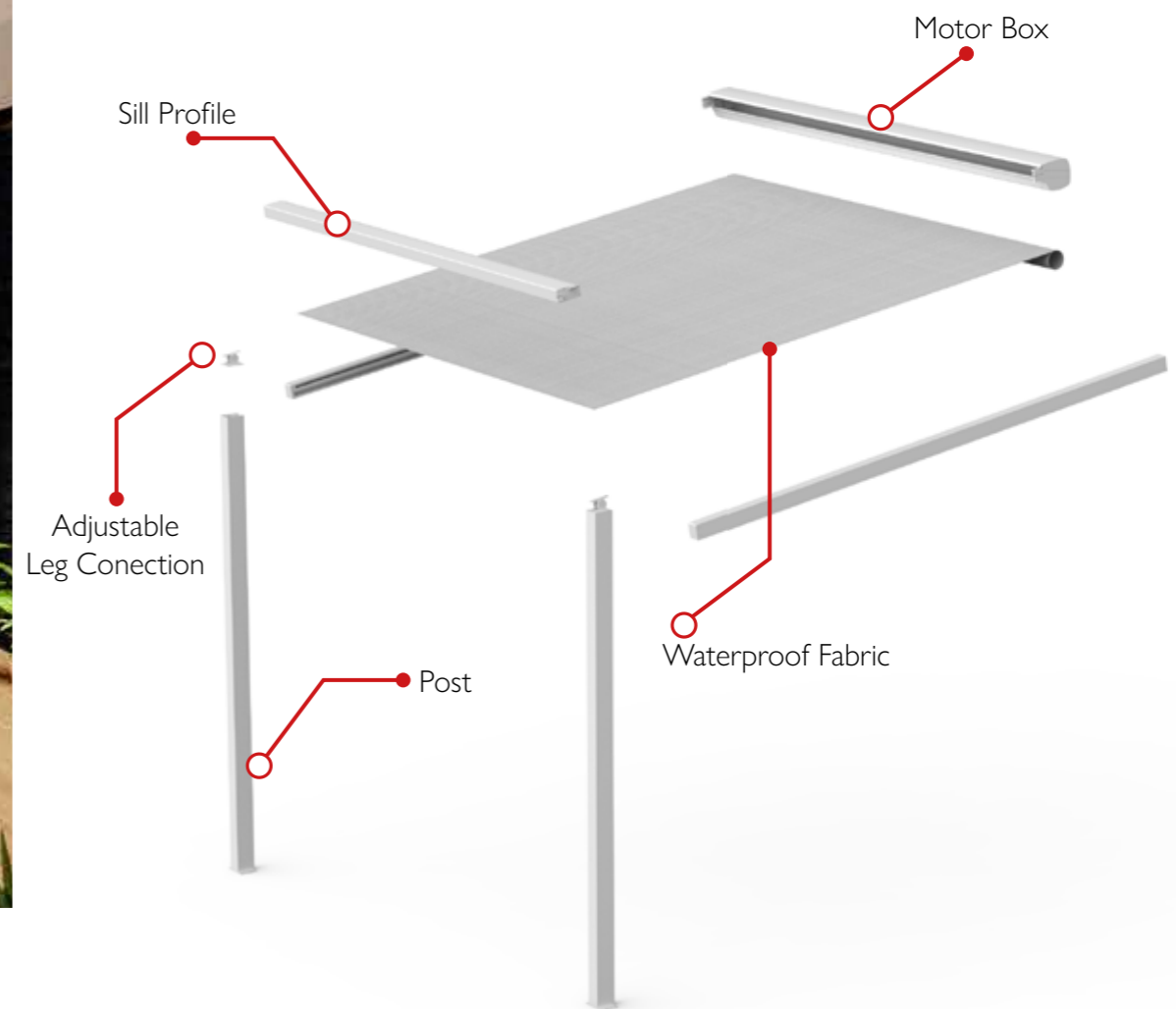


# PERGOLA BASIC SHADE



**Maximum Size**  
Width 4m  
Length 6m  
24 sqm

- Motorized options
- Waterproof Fabric
- Retracting System
- Pest Protection



## 1 BASIC SHADE PERGOLA

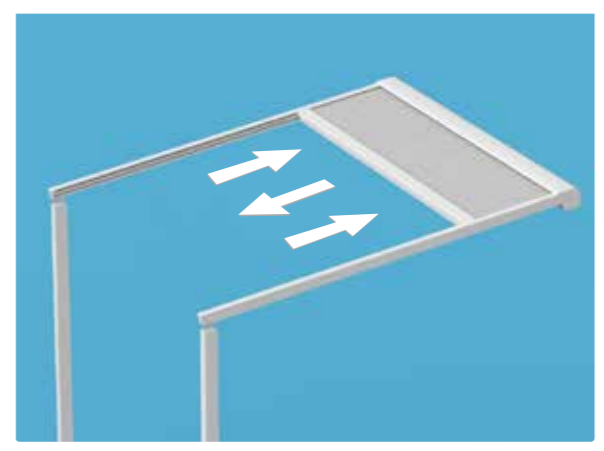
The BASIC SHADE pergola system is a simple, stylish and budget friendly pergola model. These systems can be used in gardens, balconies, cafes and various social areas, providing protection from various weather conditions such as sun or rain from the ceiling area, and the system is remote controlled.

Specially designed waterproof fabrics protect your living space and are highly durable. In addition, it can be customized according to the design with combining different products such as vertical zip screens or glass windows.

# BIOCLIMATIC ■ SKYLINE & BASIC

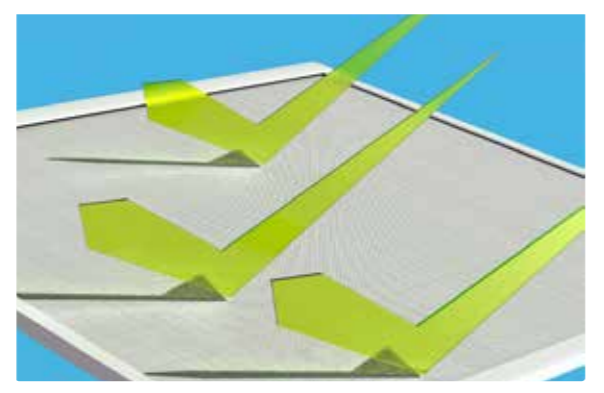
## Retraction

Basic Pergola has a remote-controlled open-close mechanism that works with a single touch. Enjoy the outdoors in various weather conditions and take control of the sun and rain.



## Shading option

When the system is closed it provides shading and will rise your confort on a nice and sunny day. Various shading options are aviable with the type of fabric used.



## Natural Air Flow

With its special design and waterproof fabric Basic Pergola protects you and your loved ones in bad weather conditions.



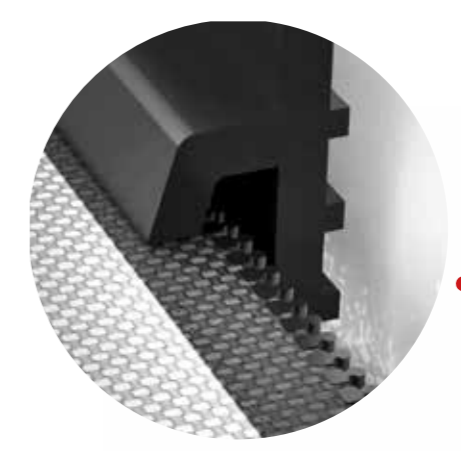
Motor Box



Front Sill



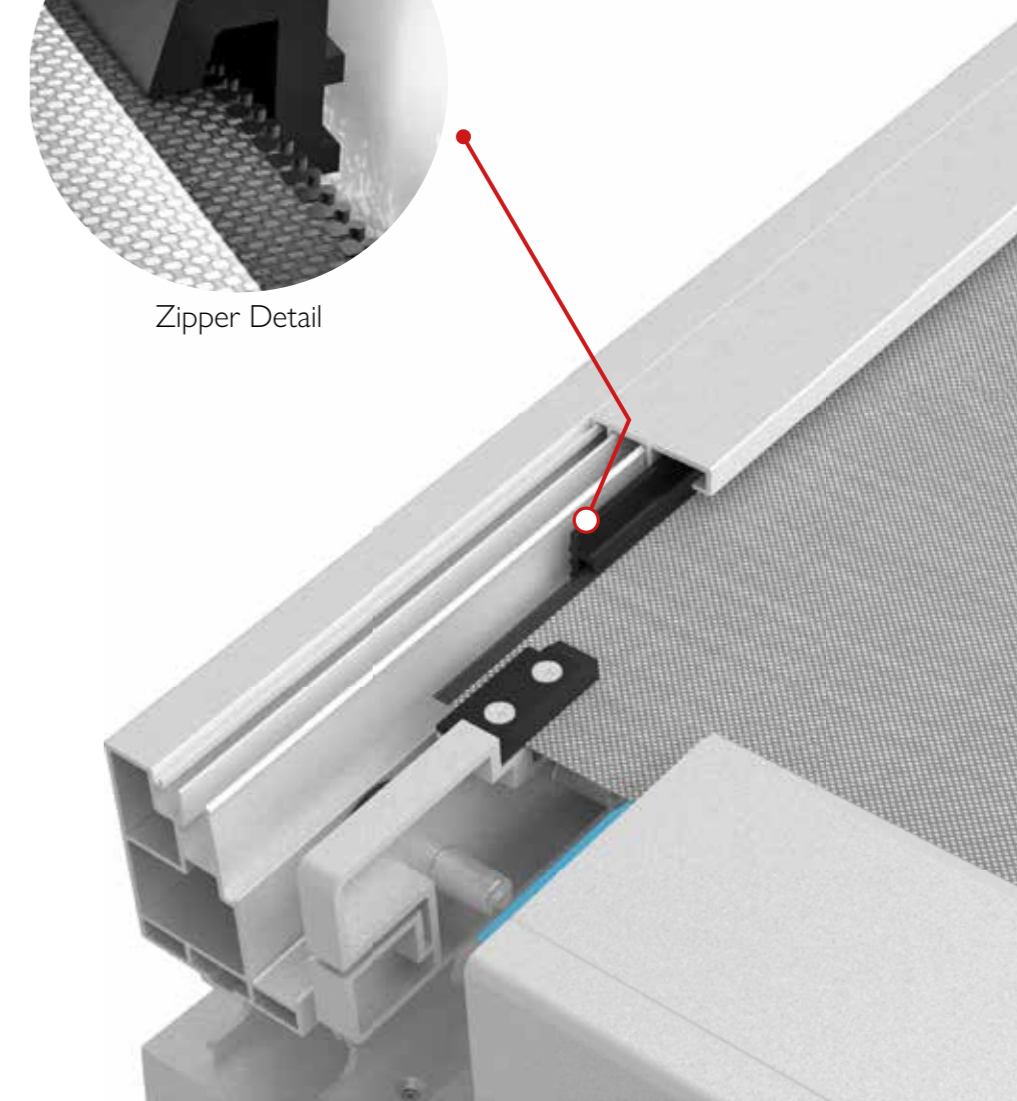
Adjustable Leg Connection



Zipper Detail



LED Light



# GLASS SYSTEMS

## SLIDE

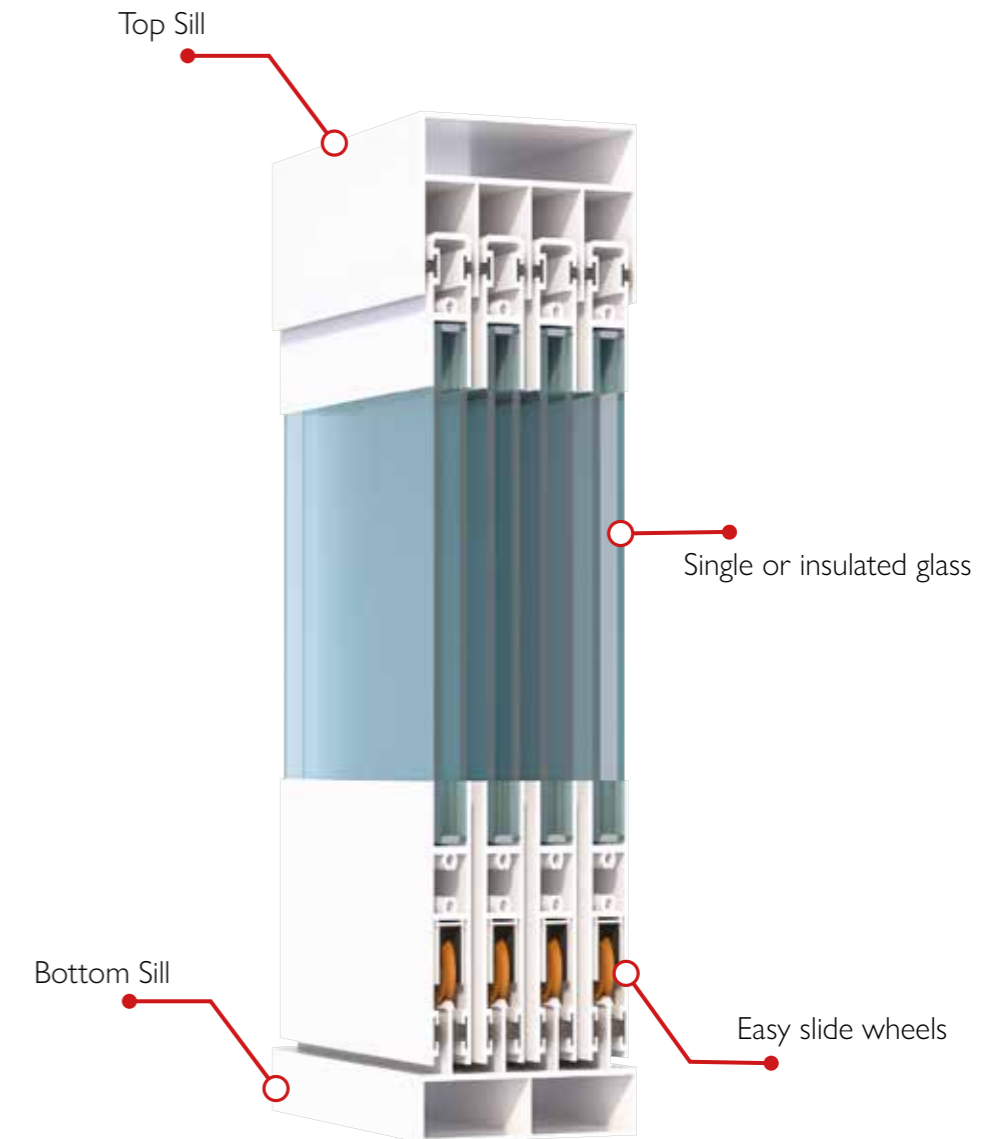


**Maximum Size**

Width 6000mm

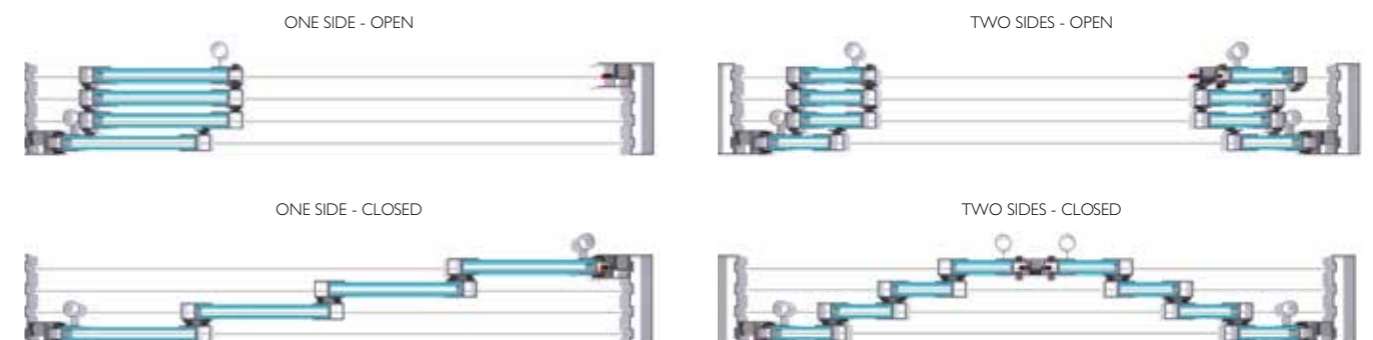
Height 2400mm

- 2, 3 or 5 rail options
- Little maintenance, stainless
- Lock option inside and outside
- Stainless door handle
- Insulated or single glass



### Sliding Windows & Doors

Moving horizontally within an aluminum frame, this system is popular in cafes, restaurants, and residences with a wide facade. Depending on the ground structure, the threshold is kept flat with the ground to prevent stumbling. The glass frames move to the sides on wheels through rails. The lock system on the construction secures the area. The thickness of glass is 8mm or 4+10+4mm. Profiles come in any color desired, thus adaptable to any venue. The system can have up to 4 rails. Maximum wing height is 2600mm. The bearings at the bottom provide easy and silent functions. All the separate glasses are collected together wherever desired.



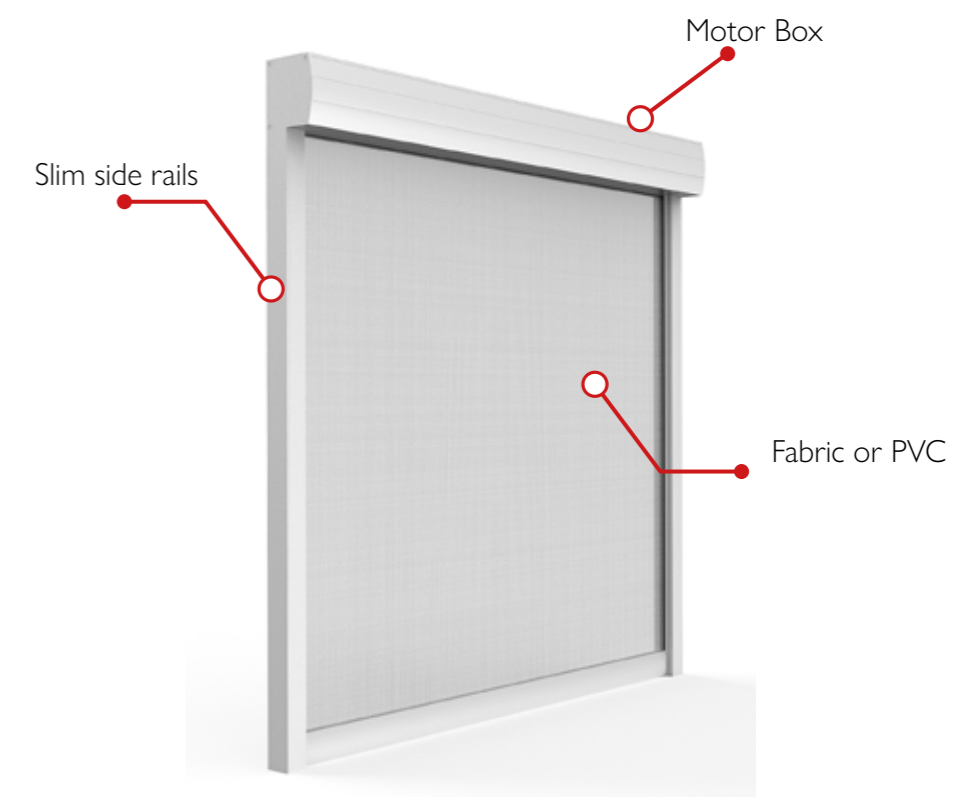
# ZIP SCREENS ARTZIP



### Maximum Size

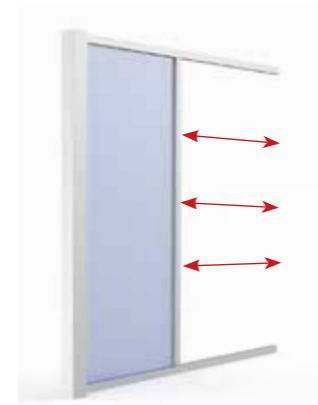
Width 7m  
Length 7m  
21 sqm (3x7m)

- Motorized options
- Fabric and PVC options
- Optional Solar Panel
- Pest Protection

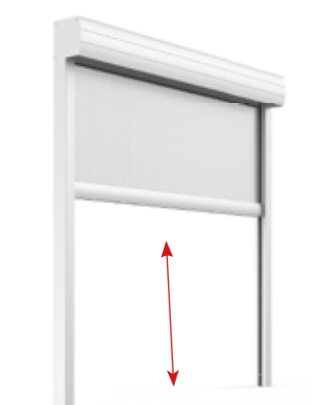


## Vertical Retracting Zip Screens

The perfect solution for controlling light, temperature, and privacy, Zip Screens offer unparalleled functionality and convenience. With a simple zip mechanism, you can easily transition from an unobstructed view to complete privacy in seconds. These screens are made from high-quality materials and are designed to withstand wind, making them the ideal choice for both residential and commercial applications. Available in a variety of colors and sizes, Zip Screens are the ultimate in style, functionality, and versatility.



**Side Sliding Option**



**Up-Down Option**

# ZIP SCREENS

## ■ ARTZIP

### Sun Protection

With Artzip series curtains, it is very easy to operate using a remote control to protect you from the sun on the windows of your home or the glass or facade of your workplace. You can choose how much you will block the sun with fabrics with permeability level options.



### Privacy

You can provide privacy to the desired extent by determining the permeability preference of the fabrics used. If you wish, you can cover it completely with our "Blackout" fabrics, which does not allow any visibility.



### Pest protection

Pests such as bees, flies and insects cannot pass through Artzip fabrics. Thus, you can continue your comfort by closing your curtain remotely to get rid of the pests.



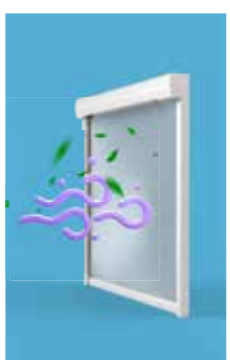
### Solar Energy Solutions

In places where the electrical system cannot be established or when you want energy efficiency, you can have solar panels and high efficiency motor installed in the Artzip series. For use at night the system also has a built in battery to power the motor.



### Wind protection

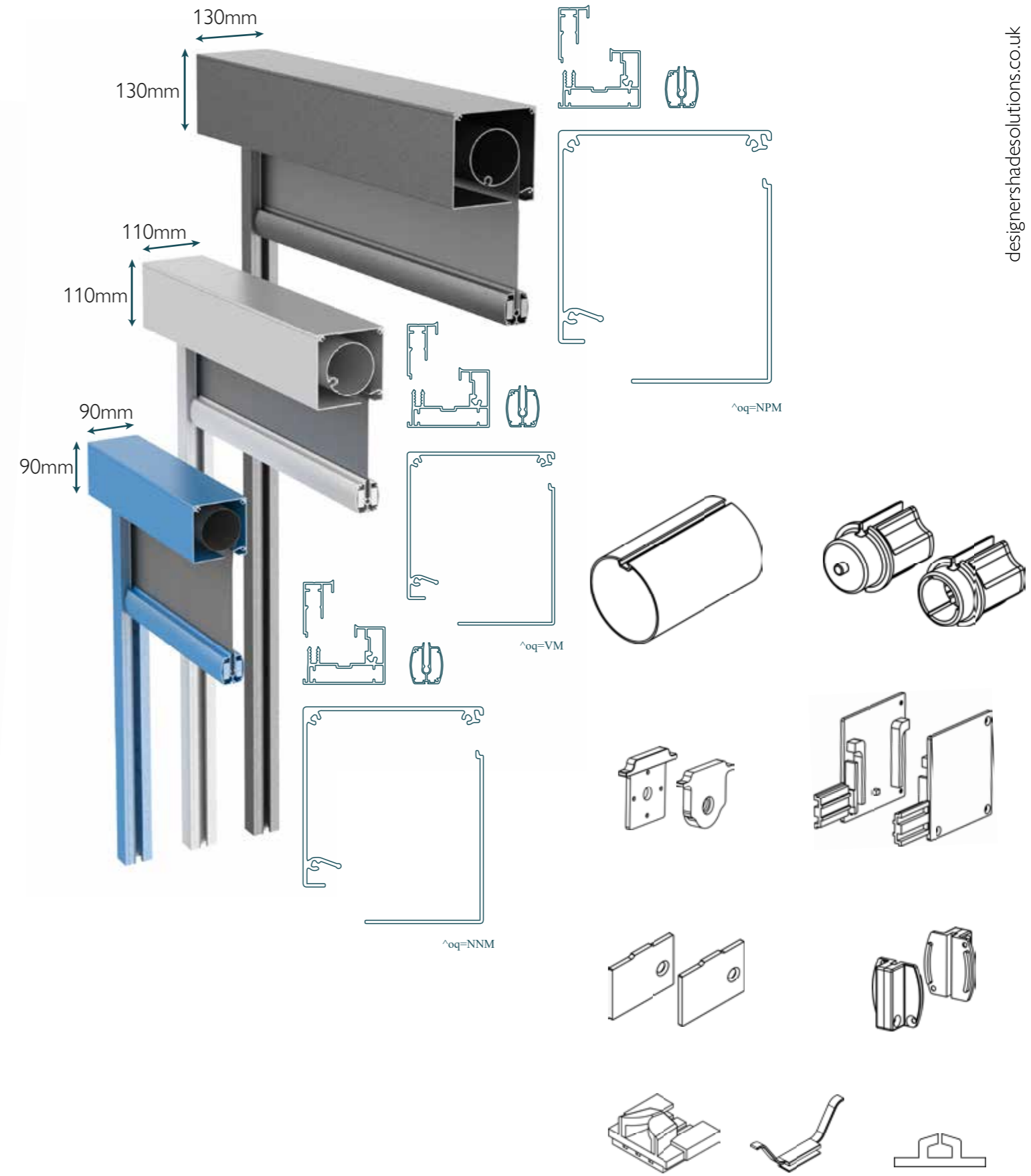
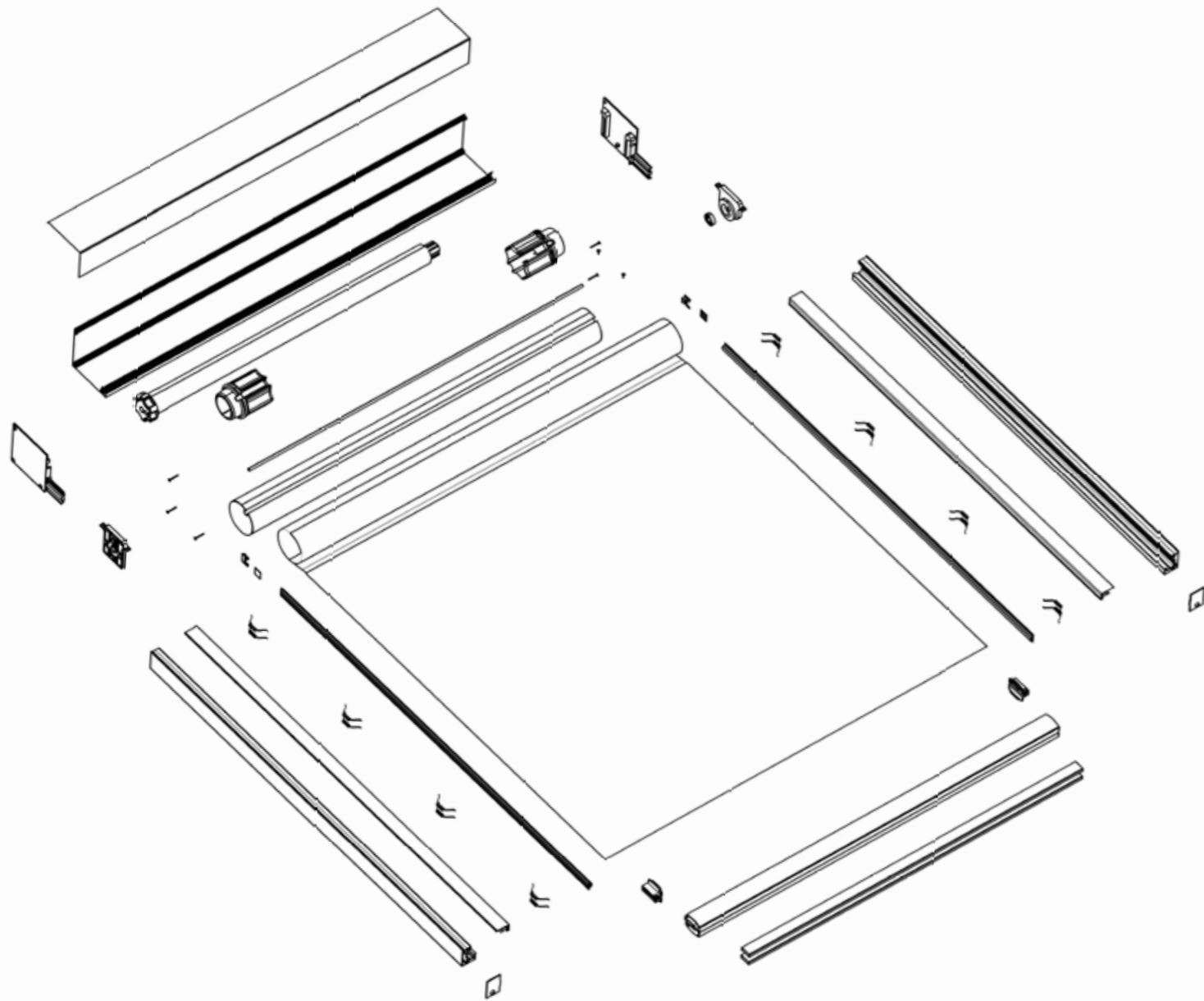
With our advanced zipper technology, our curtains provide resistance to the wind at a speed of approximately 70 Km/h.



# ZIP SCREENS

■ ARTZIP

## Design Ideas



# ZIP SCREENS

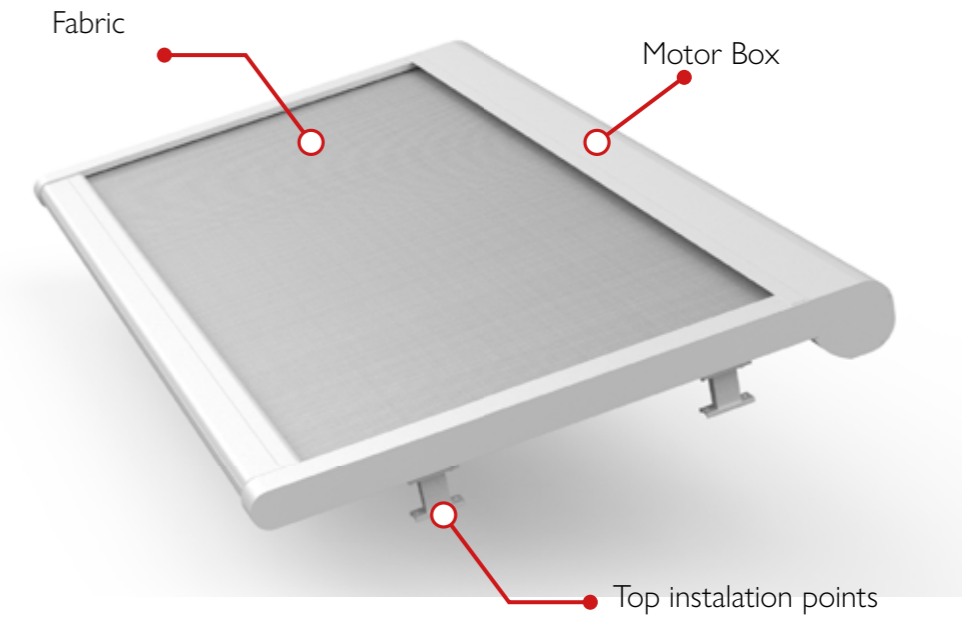
## SKYZIP



### Maximum Size

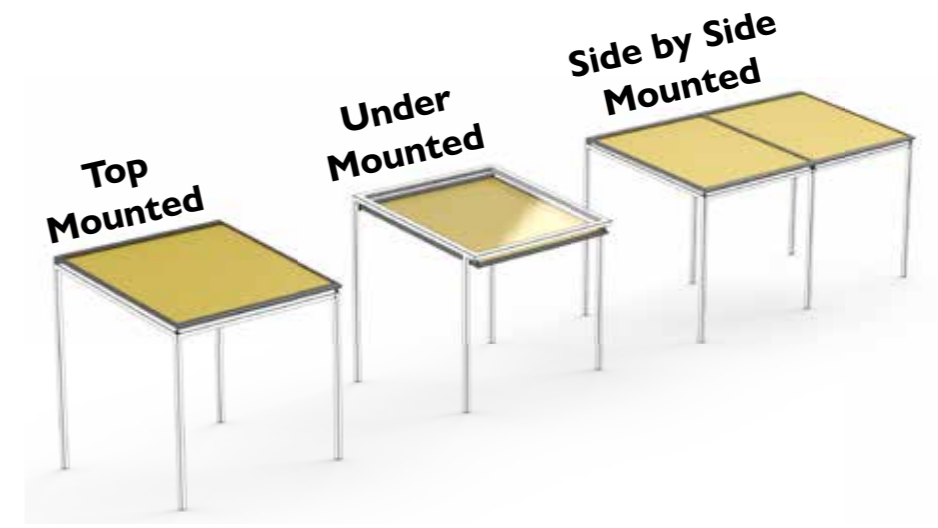
Width 6m  
Length 6m  
18 sqm (3x6m)

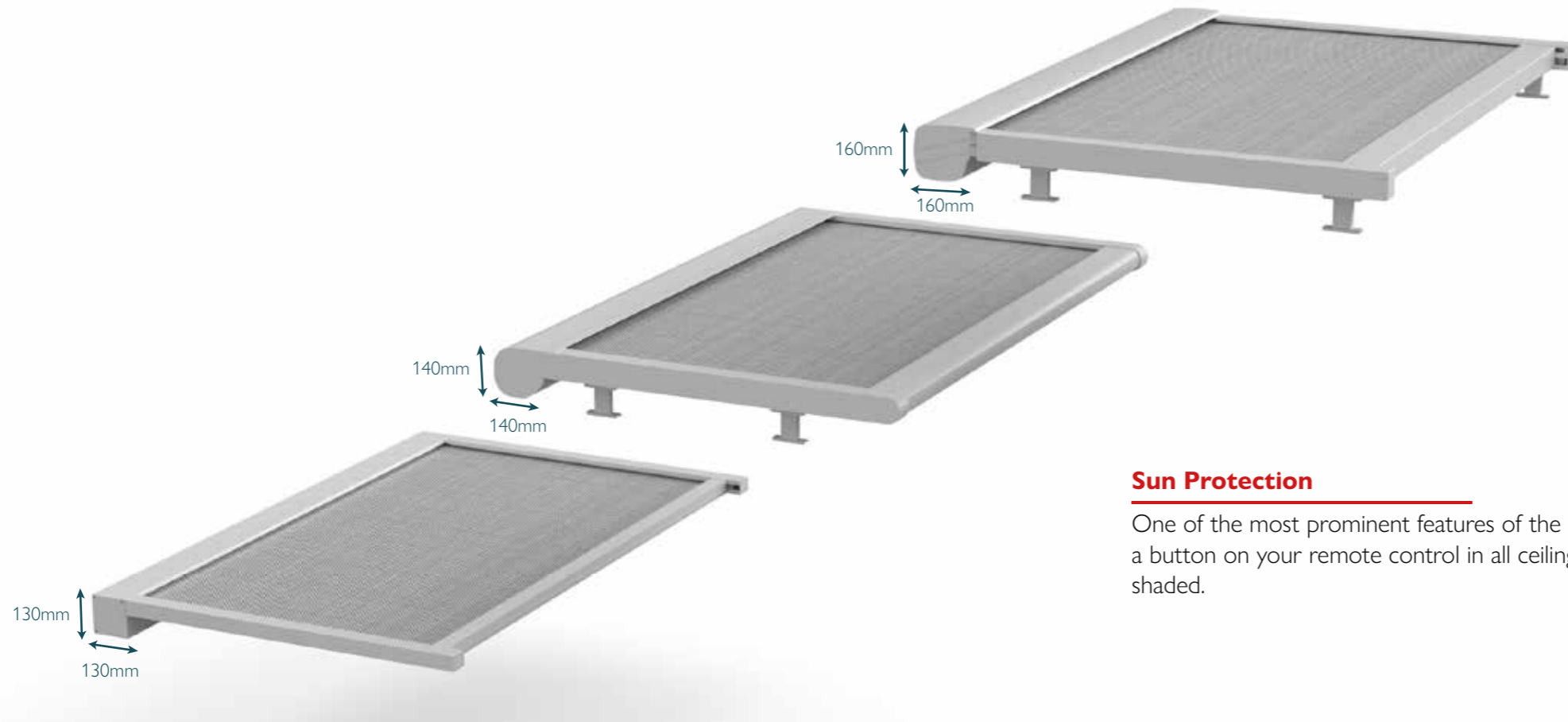
- Motorized options
- Fabric options available
- Outdoor or indoor installation
- Pest Protection



### Roof Zip Screens

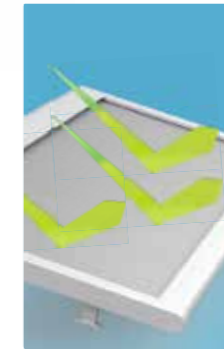
You can choose the Skyzip series in all situations where shading is required. Such as winter garden, glass ceiling & open pergolas. Skyzip series is motorized & operated with a remote control. Its zippered structure ensures its longevity and minimizes maintenance costs. It gives an aesthetic appearance to your space with its rich fabric and profile paint color options.





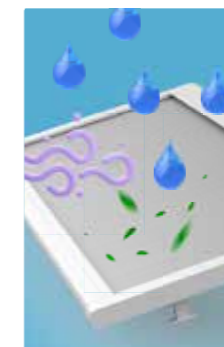
### Sun Protection

One of the most prominent features of the Skyzip series is that it makes sun protection as easy as pressing a button on your remote control in all ceiling parts of your home or workplace where you want to be shaded.



### Rain & wind protection

Pests such as bees, flies and insects cannot pass through Artzip fabrics. Thus, you can continue your comfort by closing your curtain remotely to get rid of the pests.

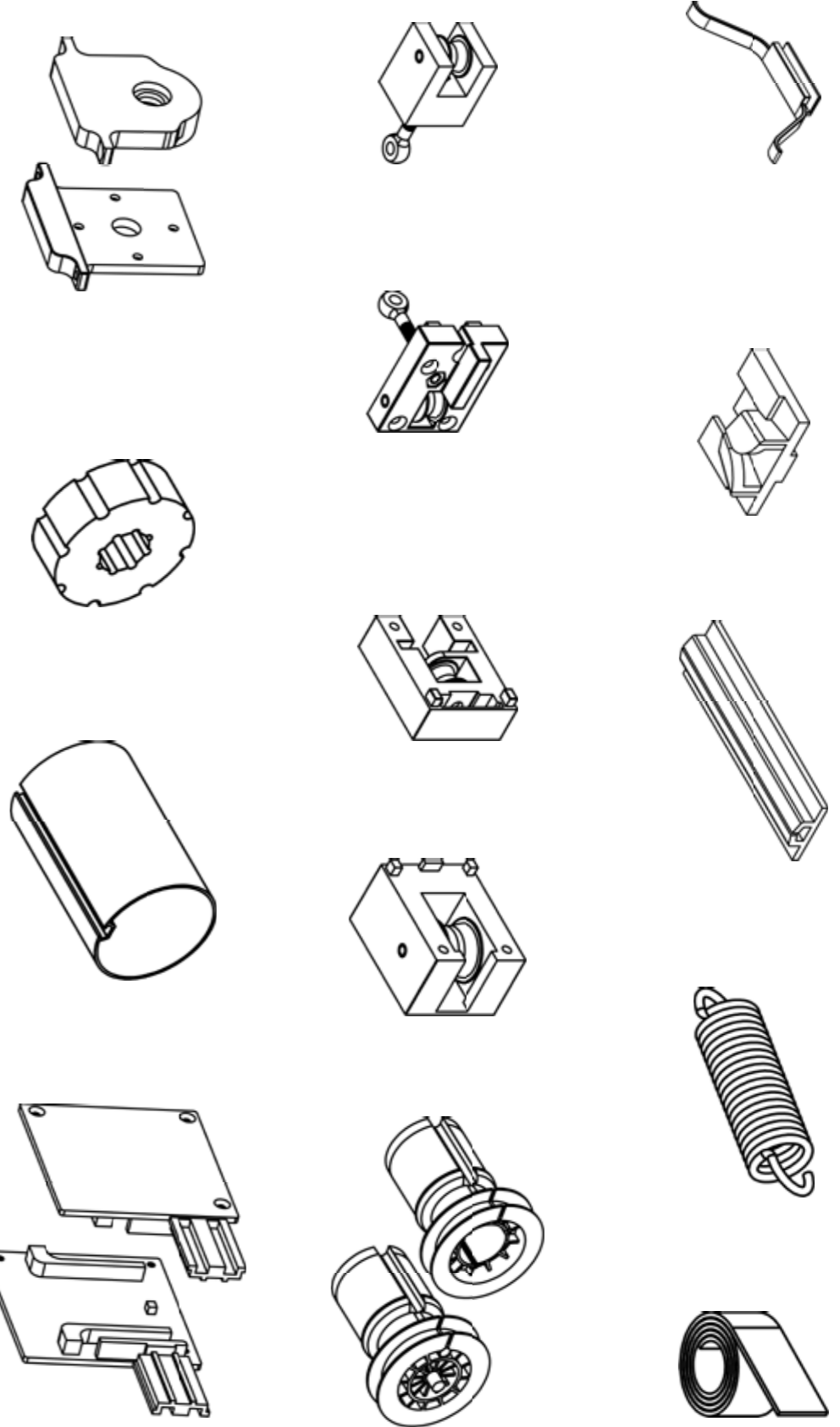
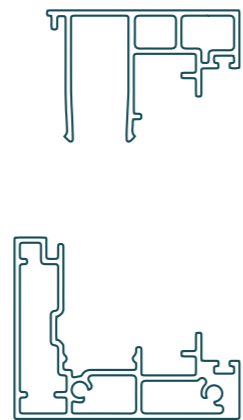
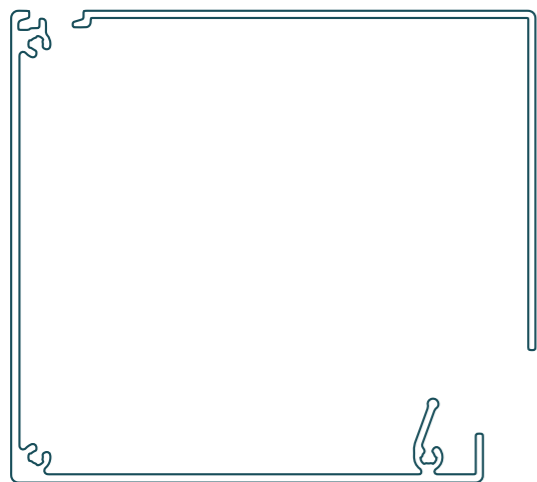
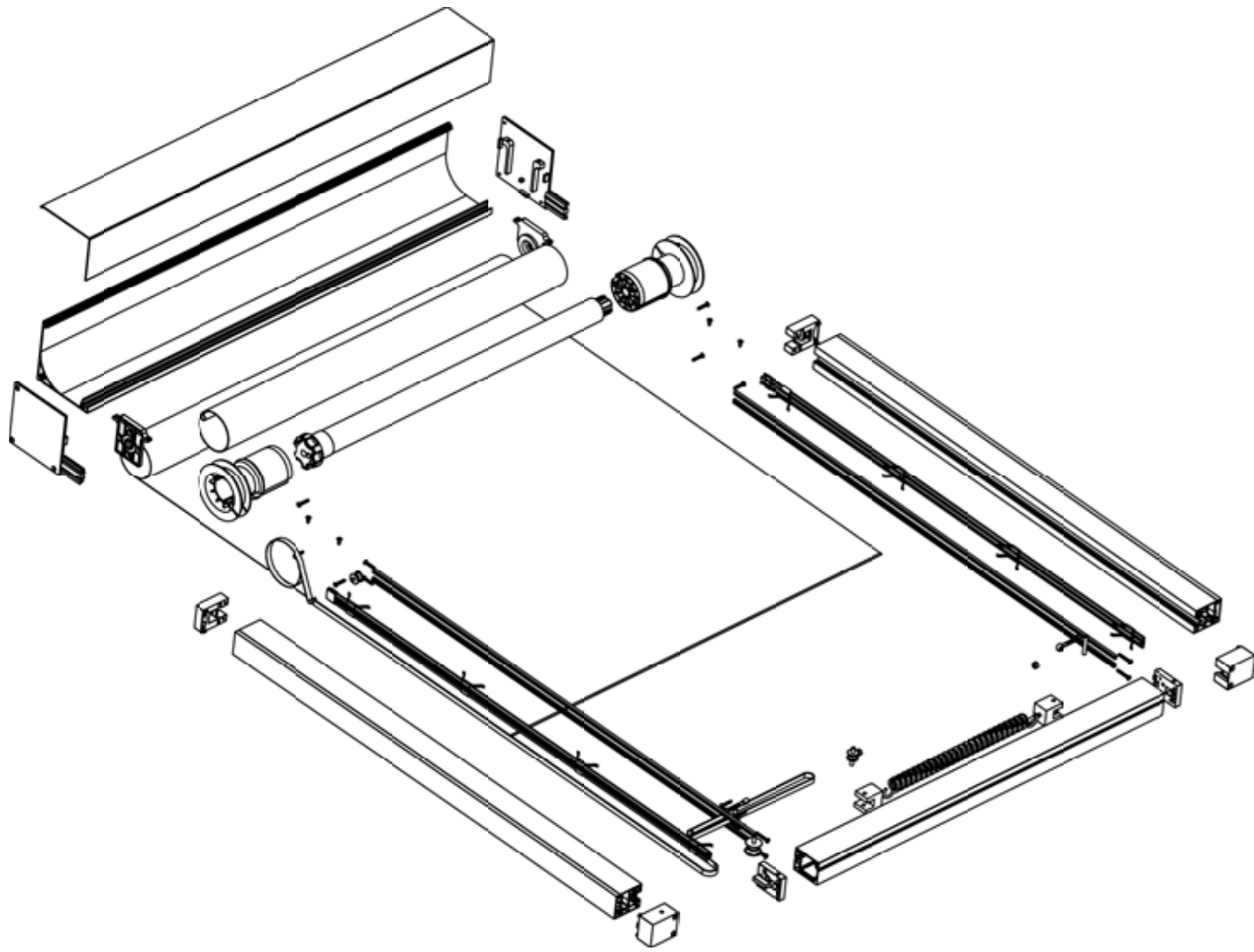


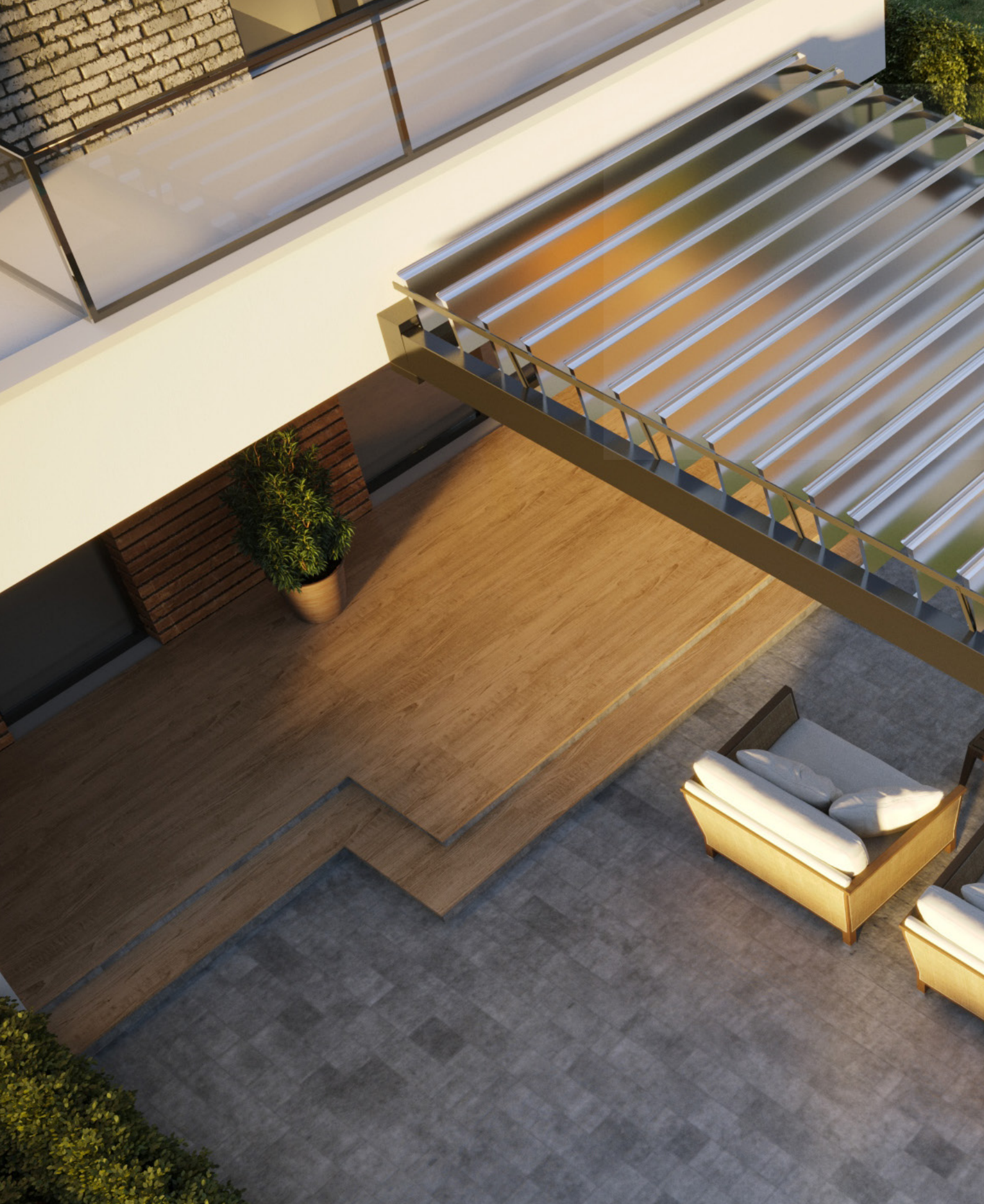


# ZIP SCREENS

■ SKYZIP

## Sky 1300





## **Designer Shade Solutions UK LTD**

Suite 202 Fab Offices 54-56 Victoria St , St Albans AL1 3HZ  
**T:** +44 (0)208 145 6216 **E:** [hello@designershadesolutions.co.uk](mailto:hello@designershadesolutions.co.uk)  
[designershadesolutions.co.uk](http://designershadesolutions.co.uk)