

PKA-M R32

Wall Mounted System

Power Inverter Heat Pump

Mr.SLIM™

The **PKA-M Power Inverter** range is a wall mounted system that blends a host of outstanding features with a sophisticated, streamlined design. Offering high seasonal efficiency, advanced control options and extended pipe runs, this range is extremely flexible.

R32



Key Features & Benefits:

- Improved airflow control, including adjustable louvres for uniform air distribution
- Internal pipe connection to wall mounted unit for easy and neat installation
- CN22 connector as standard for connection to PAR-40MAA hard wired controller
- Full heating capacity down to -3°C
- 100m pipe run (Size 100)
- Replace Technology available



Air Conditioning Product Information

PKA-M R32 Wall Mounted System Power Inverter Heat Pump

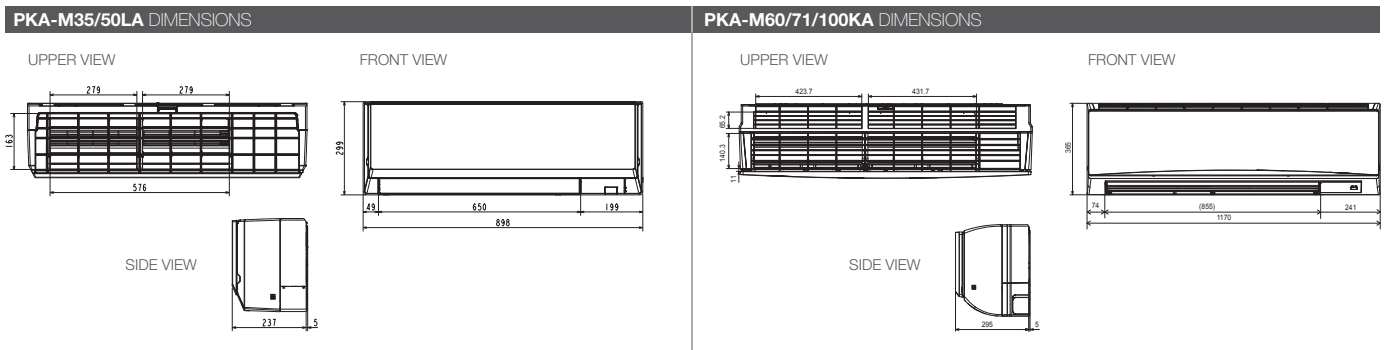
R32



| PKA-M INDOOR UNITS | | PKA-M35LA | PKA-M50LA | PKA-M60KA | PKA-M71KA | PKA-M100KA | PKA-M100KA |
|--------------------------------------|------------------------|---------------------|---------------------|---------------------|---------------------|---------------------|---------------------|
| CAPACITY (kW) | Heating (nominal) | 4.1 (1.6-5.2) | 5.0 (2.5-7.3) | 7.0 (2.8-8.2) | 8.0 (3.5-10.2) | 11.2 (4.5-14.0) | 11.2 (4.5-14.0) |
| | Cooling (nominal) | 3.6 (1.6-4.5) | 4.6 (2.3-5.6) | 6.1 (2.7-6.7) | 7.1 (3.3-8.1) | 9.5 (4.9-11.4) | 9.5 (4.9-11.4) |
| | Heating (UK) | 3.5 (1.35-4.4) | 4.25 (2.15-6.2) | 5.95 (2.4-6.95) | 6.8 (3.0-8.65) | 9.5 (3.85-11.9) | 9.5 (3.85-11.9) |
| | Cooling (UK) | 3.3 (1.45-4.15) | 4.23 (2.1-5.15) | 5.5 (2.5-6.15) | 6.55 (3.05-7.45) | 9.2 (4.5-10.5) | 9.2 (4.5-10.5) |
| SHF (nominal) | | 0.74 | 0.66 | 0.86 | 0.78 | 0.73 | 0.73 |
| COP / EER (nominal) | | 3.94 / 4.20 | 3.72 / 3.71 | 4.04 / 3.91 | 3.78 / 3.81 | 3.61 / 3.95 | 3.61 / 3.95 |
| SCOP (ηsh) / SEER (ηsc) (BS EN14825) | | 4.0 / 6.5 | 4.3 / 6.6 | 4.2 / 6.8 | 4.3 / 6.8 | 4.4 / 6.5 | 4.4 / 6.4 |
| ErP ENERGY EFFICIENCY CLASS | Heating/Cooling | A+ / A++ | A+ / A++ | A+ / A++ | A+ / A++ | A+ / A++ | A+ / A++ |
| AIRFLOW (l/s) | Lo-Mi2-Mi1-Hi | 125-137-153-182 | 125-137-153-182 | 300-333-367 | 300-333-367 | 333-383-433 | 333-383-433 |
| PIPE SIZE mm (in) | Gas | 12.7 (1/2") | 12.7 (1/2") | 15.88 (5/8") | 15.88 (5/8") | 15.88 (5/8") | 15.88 (5/8") |
| | Liquid | 6.35 (1/4") | 6.35 (1/4") | 9.52 (3/8") | 9.52 (3/8") | 9.52 (3/8") | 9.52 (3/8") |
| SOUND PRESSURE LEVEL (dBA) | Lo-Mi2-Mi1-Hi | 34-37-40-43 | 34-37-40-43 | 39-42-45 | 39-42-45 | 41-45-49 | 41-45-49 |
| SOUND POWER LEVEL (dBA) | | 60 | 60 | 64 | 64 | 65 | 65 |
| DIMENSIONS (mm) | Width x Depth x Height | 898 x 237 x 299 | 898 x 237 x 299 | 1170 x 295 x 365 | 1170 x 295 x 365 | 1170 x 295 x 365 | 1170 x 295 x 365 |
| WEIGHT (kg) | | 12.6 | 12.6 | 21 | 21 | 21 | 21 |
| ELECTRICAL SUPPLY | | Fed by Outdoor Unit | Fed by Outdoor Unit | Fed by Outdoor Unit | Fed by Outdoor Unit | Fed by Outdoor Unit | Fed by Outdoor Unit |
| FUSE RATING (BS88) - HRC (A) | | 6 | 6 | 6 | 6 | 6 | 6 |
| INTERCONNECTING CABLE No. CORES | | 4 | 4 | 4 | 4 | 4 | 4 |
| WIRED REMOTE CONTROLLER REFERENCE | | PAR-40MAA | PAR-40MAA | PAR-40MAA | PAR-40MAA | PAR-40MAA | PAR-40MAA |
| WIRELESS REMOTE CONTROLLER REFERENCE | | PAR-FL32MA | PAR-FL32MA | PAR-FL32MA | PAR-FL32MA | PAR-FL32MA | PAR-FL32MA |

| PUZ-ZM OUTDOOR UNITS | | PUZ-ZM35VKA | PUZ-ZM50VKA | PUZ-ZM60VHA | PUZ-ZM71VHAR1 | PUZ-ZM100VKAR1 | PUZ-ZM100YKAR1 ③ |
|--|---------------------------|--------------------|--------------------|----------------------|----------------------|------------------------|------------------------|
| SOUND PRESSURE LEVEL (dBA) | Heating/Cooling | 46 / 44 | 46 / 44 | 49 / 47 | 49 / 47 | 51 / 49 | 51 / 49 |
| SOUND POWER LEVEL (dBA) | Cooling | 65 | 65 | 67 | 67 | 69 | 69 |
| WEIGHT (kg) | | 46 | 46 | 70 | 70 | 116 | 123 |
| DIMENSIONS (mm) | Width x Depth x Height | 809 x 300 x 630 | 809 x 300 x 630 | 950 x 330 + 25 x 943 | 950 x 330 + 25 x 943 | 1050 x 330 + 40 x 1338 | 1050 x 330 + 40 x 1338 |
| ELECTRICAL SUPPLY | | 220-240v, 50Hz | 220-240v, 50Hz | 220-240v, 50Hz | 220-240v, 50Hz | 220-240v, 50Hz | 380-415v, 50Hz |
| PHASE | | Single | Single | Single | Single | Single | Three |
| SYSTEM POWER INPUT (kW) | Heating/Cooling (nominal) | 1.040 / 0.869 | 1.347 / 1.239 | 1.732 / 1.560 | 2.116 / 1.863 | 3.102 / 2.405 | 3.102 / 2.405 |
| | Heating/Cooling (UK) | 0.81 / 0.84 | 1.12 / 1.12 | 1.25 / 1.65 | 1.54 / 1.92 | 2.47 / 2.06 | 2.47 / 2.06 |
| STARTING CURRENT (A) | | 5.0 | 5.0 | 6.0 | 6.0 | 13.0 | 6.0 |
| SYSTEM RUNNING CURRENT (A) | Heating/Cooling [MAX] | 4.97 / 4.31 [13.4] | 5.98 / 5.57 [13.4] | 7.41 / 6.65 [19.4] | 9.10 / 7.96 [19.4] | 13.46 / 10.45 [27.1] | 4.49 / 5.45 [8.6] |
| FUSE RATING (BS88) - HRC (A) | | 16 | 16 | 25 | 25 | 32 | 16 |
| MAINS CABLE No. CORES | | 3 | 3 | 3 | 3 | 3 | 5 |
| MAX PIPE LENGTH (m) | | 50 | 50 | 55 | 55 | 100 | 100 |
| MAX HEIGHT DIFFERENCE (m) | | 30 | 30 | 30 | 30 | 30 | 30 |
| CHARGE REFRIGERANT (kg) / CO ₂ EQUIVALENT (t) - R32 (GWP 675) - 30m | | 2.0 / 1.35 | 2.00 / 1.35 | 2.80 / 1.89 | 2.80 / 1.89 | 4.00 / 2.70 | 4.00 / 2.70 |
| MAX ADDITIONAL REFRIGERANT (kg) / CO ₂ EQUIVALENT (t) - R32 (GWP 675) | | 0.30 / 0.20 | 0.30 / 0.20 | 0.80 / 0.54 | 0.80 / 0.54 | 2.80 / 1.89 | 2.80 / 1.89 |

③ Three Phase



Telephone: 01707 282880
email: air.conditioning@meuk.mee.com
les.mitsubishielectric.co.uk



@meuk_les
@green_gateway

Mitsubishi Electric Living
Environmental Systems UK

Mitsubishi Electric
Cooling and Heating UK

mitsubishielectricuk_les

Mitsubishi Electric Living
Environmental Systems UK
[BLOG thehub.mitsubishielectric.co.uk](http://thehub.mitsubishielectric.co.uk)

UNITED KINGDOM Mitsubishi Electric Europe Living Environment Systems Division, Travellers Lane, Hatfield, Hertfordshire, AL10 8XB, England. Telephone: 01707 282880 Fax: 01707 278881
IRELAND Mitsubishi Electric Europe, Westgate Business Park, Ballymount, Dublin 24, Ireland. Telephone: (01) 419 8800 Fax: (01) 419 8890 International code: (003531)

Country of origin: United Kingdom - Japan - Thailand - Malaysia. ©Mitsubishi Electric Europe 2020. Mitsubishi and Mitsubishi Electric are trademarks of Mitsubishi Electric Europe B.V. The company reserves the right to make any variation in technical specification to the equipment described, or to withdraw or replace products without prior notification or public announcement. Mitsubishi Electric is constantly developing and improving its products. All descriptions, illustrations, drawings and specifications in this publication present only general particulars and shall not form part of any contract. All goods are supplied subject to the Company's General Conditions of Sale, a copy of which is available on request. Third-party product and brand names may be trademarks or registered trademarks of their respective owners.

Note: The fuse rating is for guidance only. Please refer to the relevant databook for detailed specification. It is the responsibility of a qualified electrician/electrical engineer to select the correct cable size and fuse rating based on current regulation and site specific conditions. Mitsubishi Electric's air conditioning equipment and heat pump systems contain a fluorinated greenhouse gas, R410A (GWP:2088), R32 (GWP:675), R407C (GWP:1774), R134a (GWP:1430), R513A (GWP:631), R454B (GWP:466), R1234ze (GWP:7) or R1234yf (GWP:4). *These GWP values are based on Regulation (EU) No 517/2014 from IPCC 4th edition. In case of Regulation (EU) No.626/2011 from IPCC 3rd edition, these are as follows. R410A (GWP:1975), R32 (GWP:550), R407C (GWP:1650) or R134a (GWP:1300).

Effective as of May 2020

