

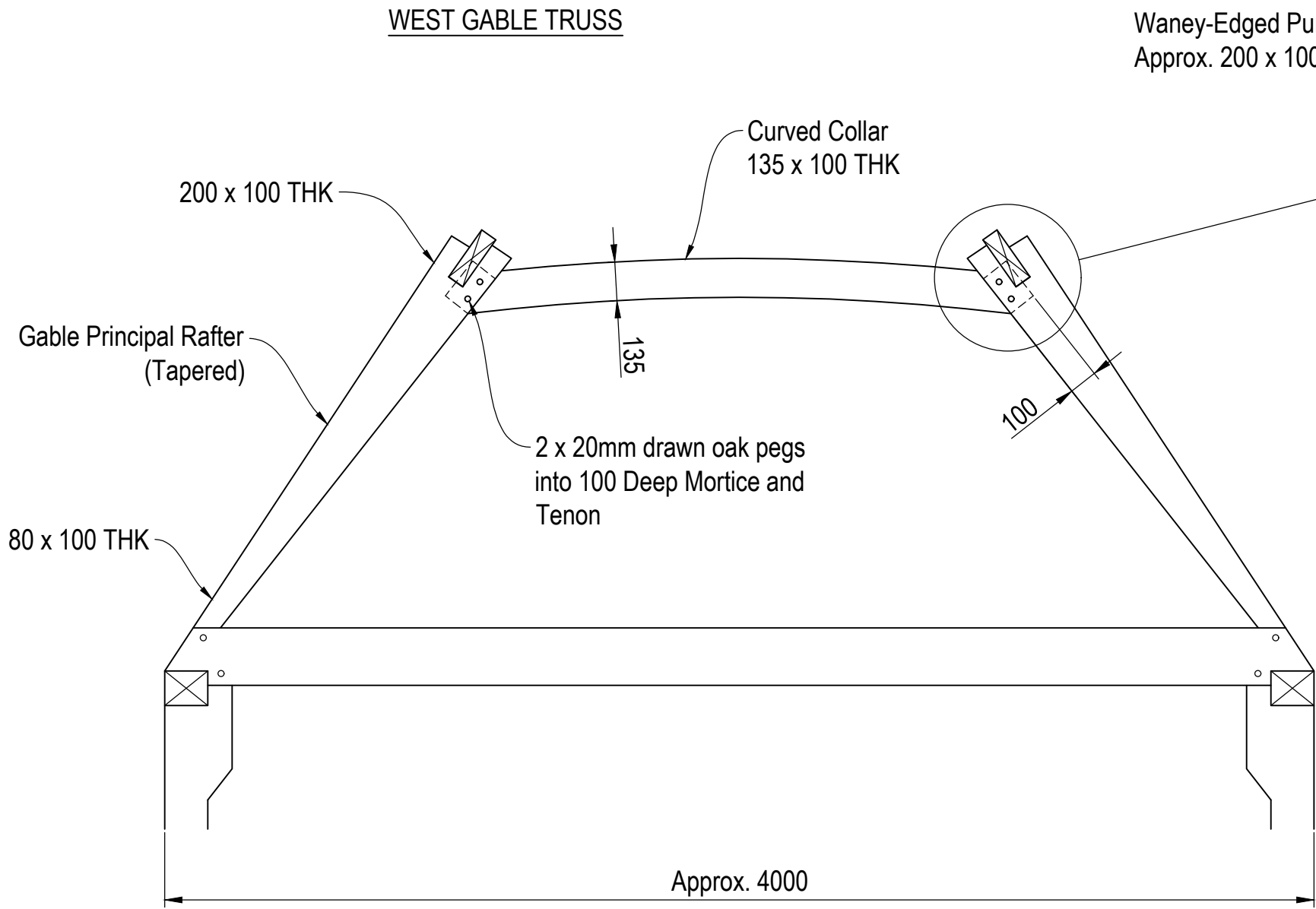
**Traditional Oak Carpentry**

www.traditionaloakcarpentry.co.uk  
 Unit 5, Old Station Road  
 Wetheringsett  
 01449 768817 Suffolk. IP14 5QJ

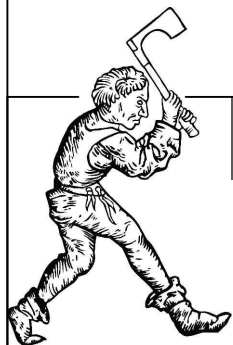
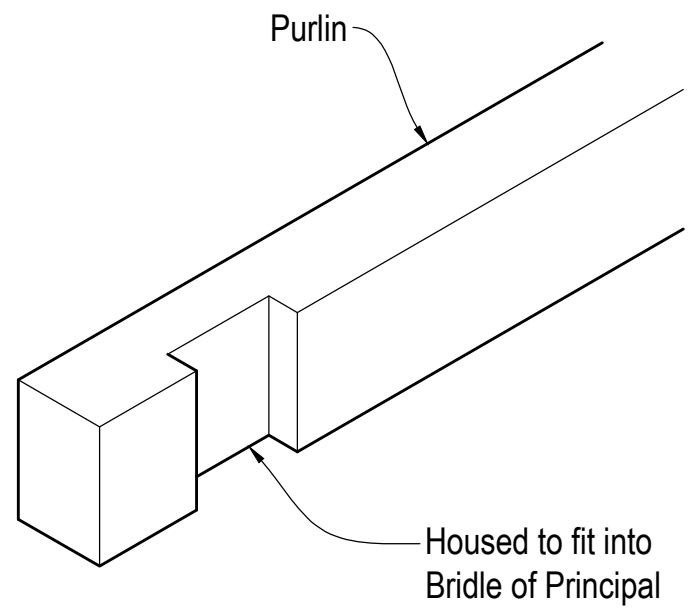
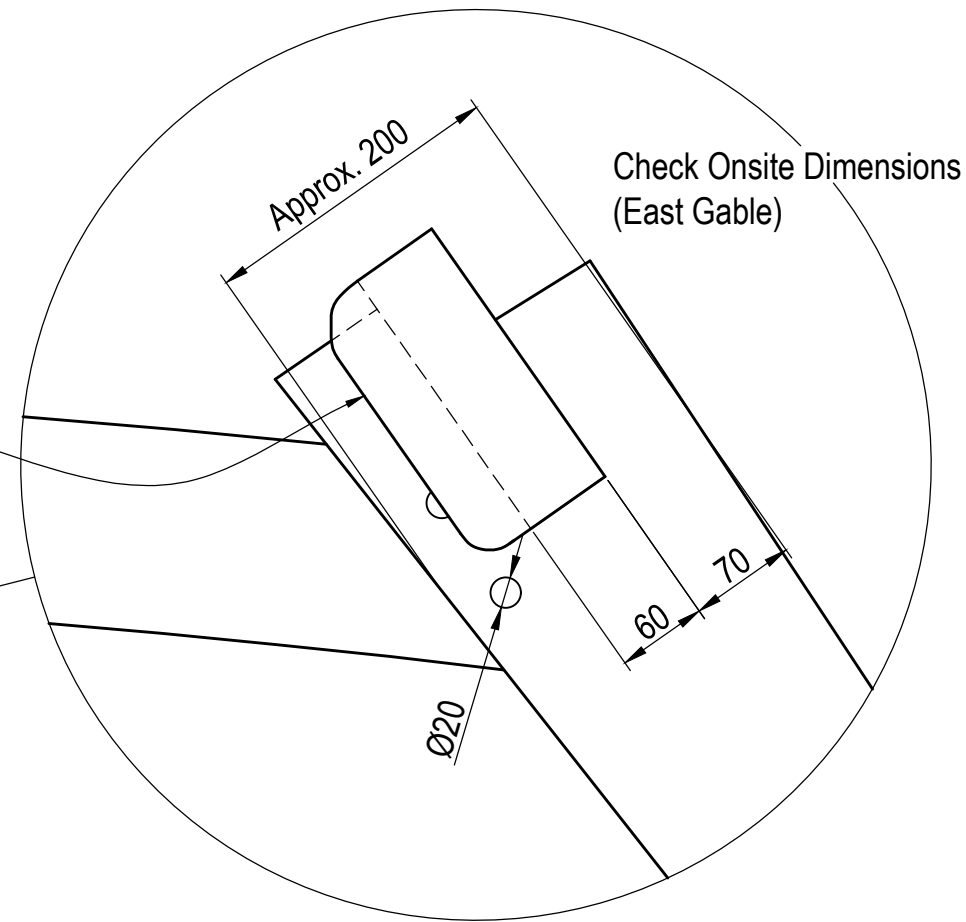
**WELLOW WOOD COTTAGE**  
 WEST WELLOW  
 ROMSEY  
 HAMPSHIRE.

Rev.	Change Description	Date

WEST GABLE TRUSS



Waney-Edged Purlin  
Approx. 200 x 100



**Traditional Oak Carpentry**

www.traditionaloakcarpentry.co.uk  
 Unit 5, Old Station Road  
 Wetheringsett  
 01449 768817 Suffolk. IP14 5QJ

**WELLOW WOOD COTTAGE**  
 WEST WELLOW  
 ROMSEY  
 HAMPSHIRE.

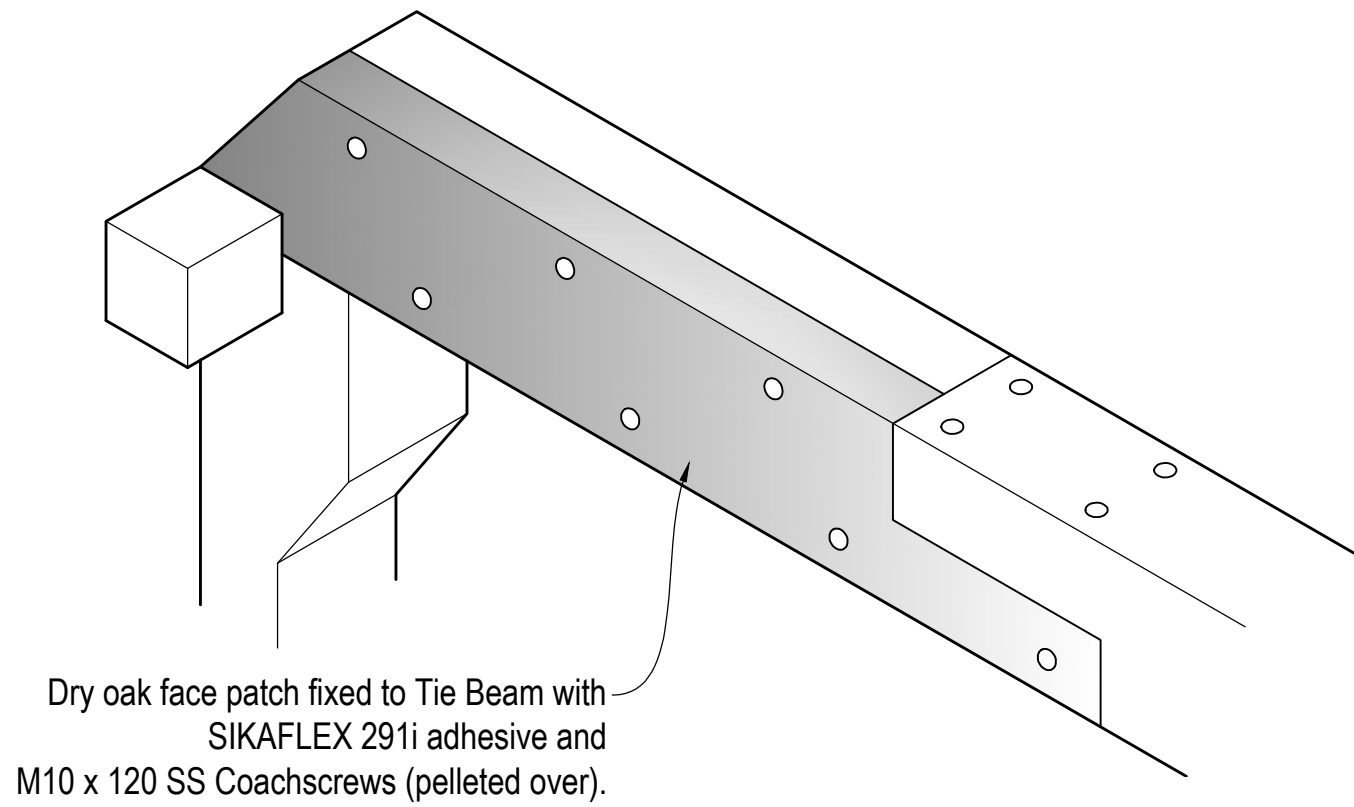
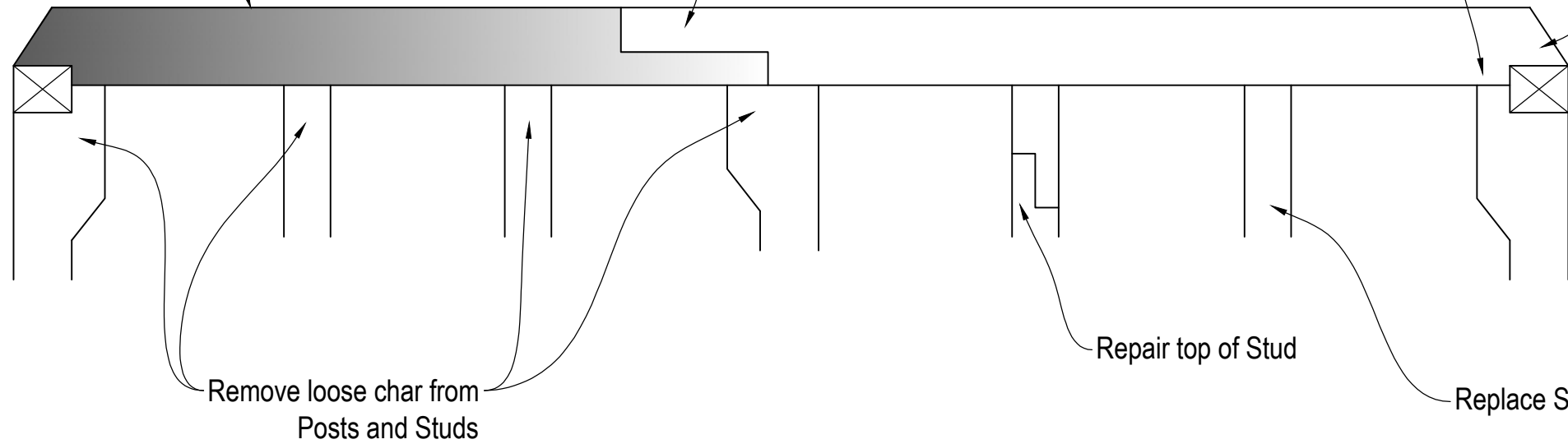
Rev.	Change Description	Date

Face Patch to outer face of Tie Beam

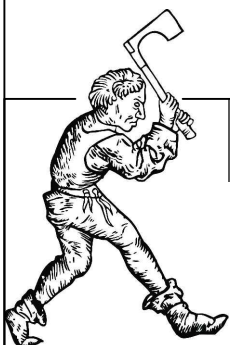
Simple Halved Scarf fix with M10 x 150 SS Coachscrews (x4)

Mortice to fit teazle tenon

Form lap-dovetail to fit Wall Plate



Dry oak face patch fixed to Tie Beam with SIKAFLEX 291i adhesive and M10 x 120 SS Coachscrews (pelleted over).



**Traditional Oak Carpentry**

www.traditionaloakcarpentry.co.uk  
Unit 5, Old Station Road  
Wetheringsett  
01449 768817 Suffolk. IP14 5QJ

**WELLOW WOOD COTTAGE**  
WEST WELLOW  
ROMSEY  
HAMPSHIRE.

Rev.	Change Description	Date