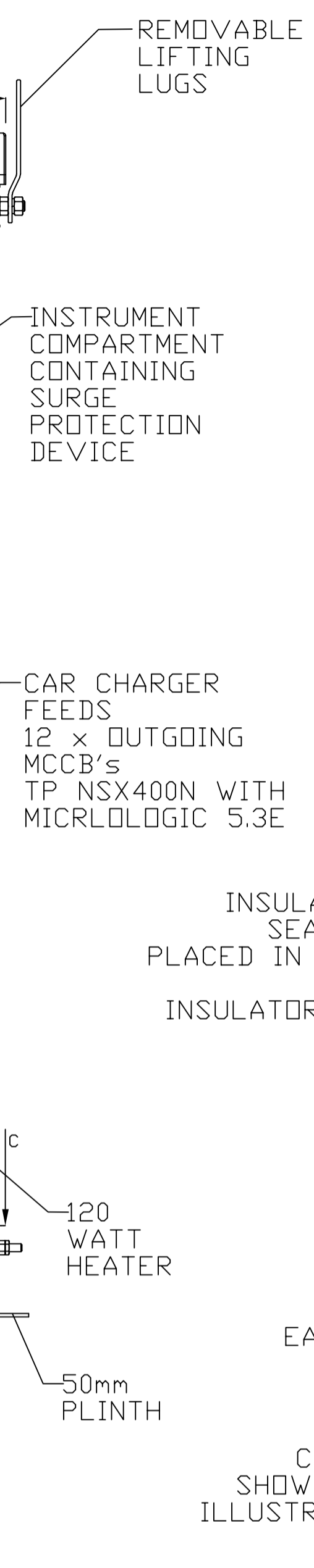
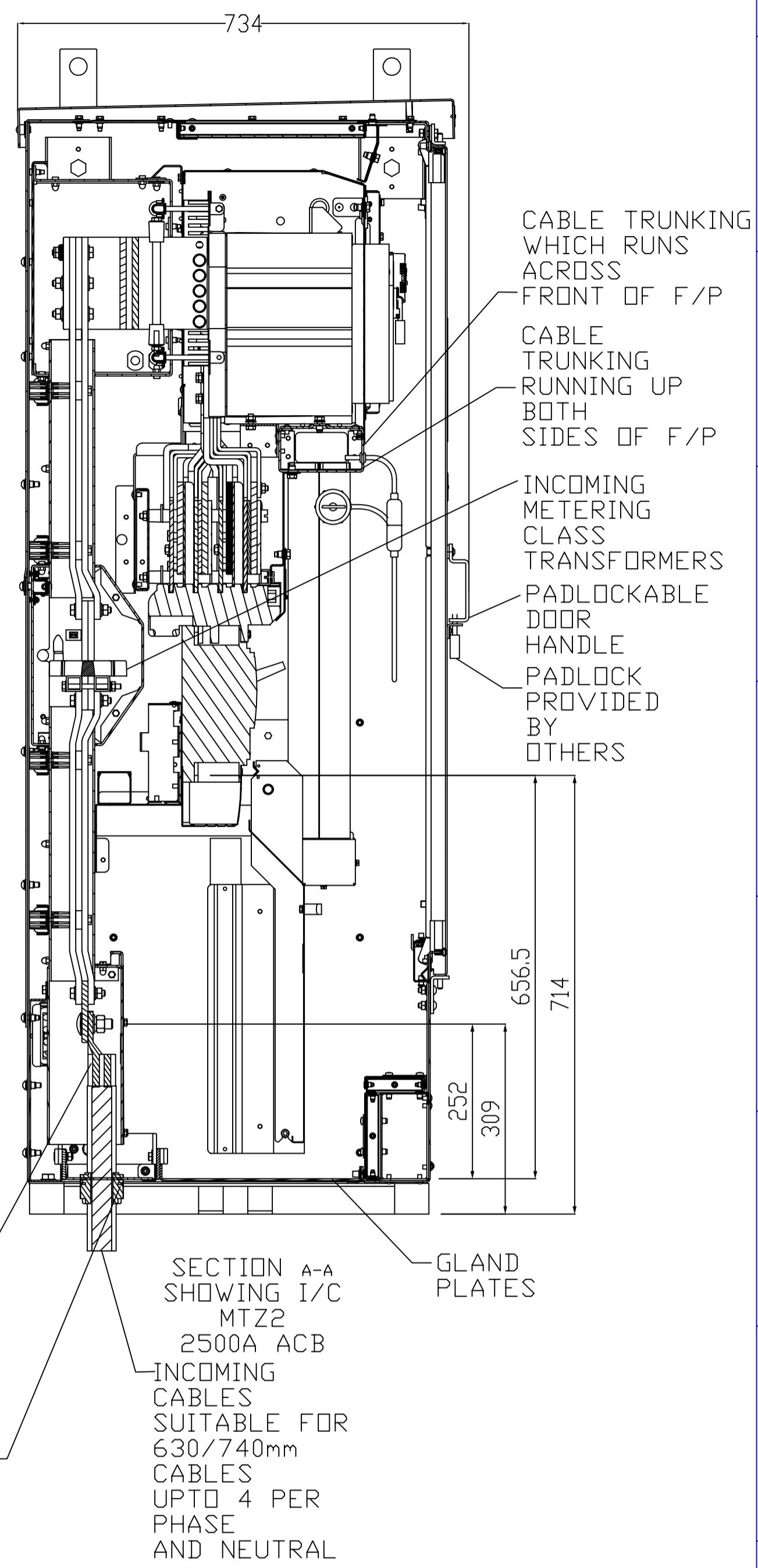


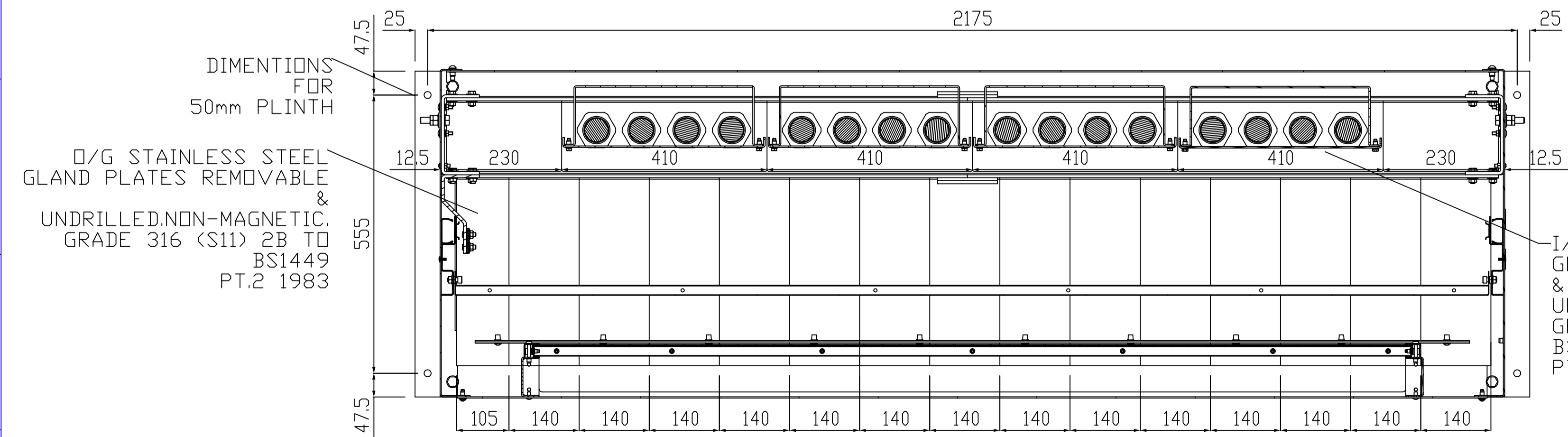
FRONT VIEW WITH DOORS AND SCREENS REMOVED FOR CLARITY



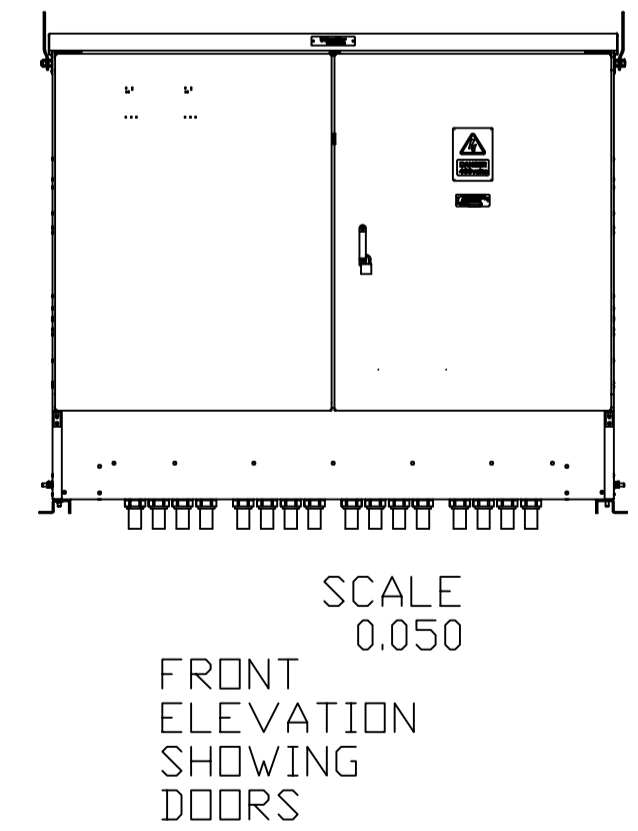
SECTION B-B O/G NSX250 3P MCCB



SECTION A-A SHOWING I/C MTZ2 2500A ACB INCOMING CABLES SUITABLE FOR 630/740mm CABLES UPTO 4 PER PHASE AND NEUTRAL



PLAN VIEW OF I/C AND O/G GLAND PLATE ARRANGEMENT



ELECTRICAL		Customer Name: GRISEBROVE	Customer Order No: xxxxxxxxxxxx
SYSTEM	400 VOLT, THREE PHASE, 4 WIRE, 50Hz	Order No: xxxxxxxxxxxx	Production Order No: xxxxxxxxxxxx
BUSBAR	PHASE NEUTRAL	Range or Family: NS, NS11	Designed by: M.SUDHAKAR
RATING	2500 AMP	Approved by: M.SUDHAKAR	Date: 24.02.2022
MECHANICAL		Update description: xxxxxxxxxxxx	Distribution code: xxxxxxxxxxxx
FINISH	DARK ADMIRALTY GREY TO BS 381C 632- GLOSS	Neutral: 2.5mm GALV	As per standard or specification
DEGREE OF PROTECTION	DOOR CLOSED DOOR OPEN	Heat treatment: xxxxxxxxxxxx	As per specification
ACCESS	FRONT DOOR ONLY	Surface protection: DARK ADMIRALTY GREY	As per specification
TOLERANCE	+/- 5.0mm UNLESS OTHERWISE STATED	Scale: Tolerancing Standard	+/- 5.0mm UNLESS OTHERWISE STATED
SPECIFICATION		Material: 2.5mm GALVANITE	
MATERIAL		Approx Weight: 1000 Kg	
CUSTOMER REF		Number: GEN. ARR. 2500A CABLE CONNECTED 12 BAY NS PILLAR L	State: GRIDEVHUB-GA
		Division: 0	Sheet: 1/1