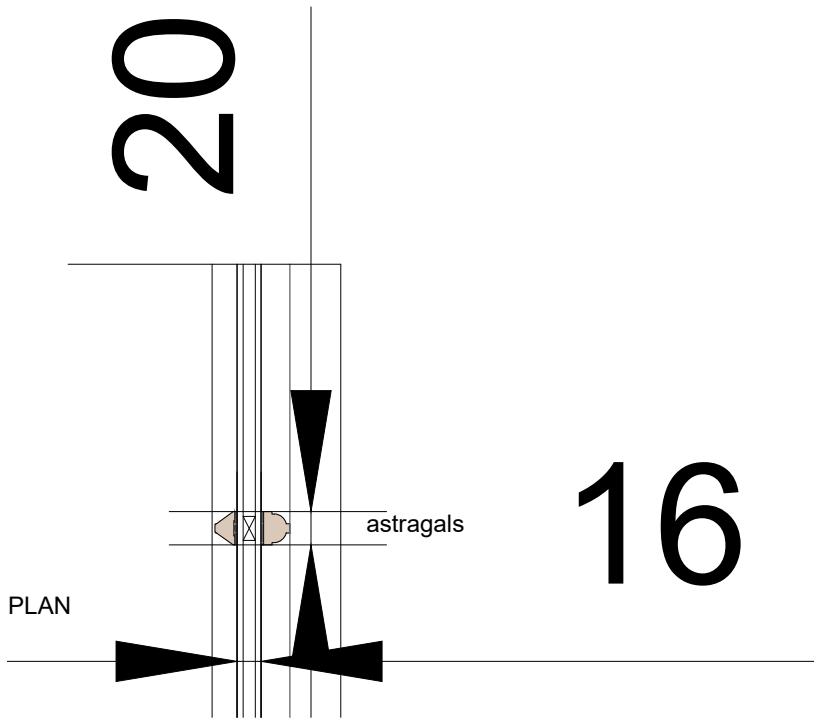
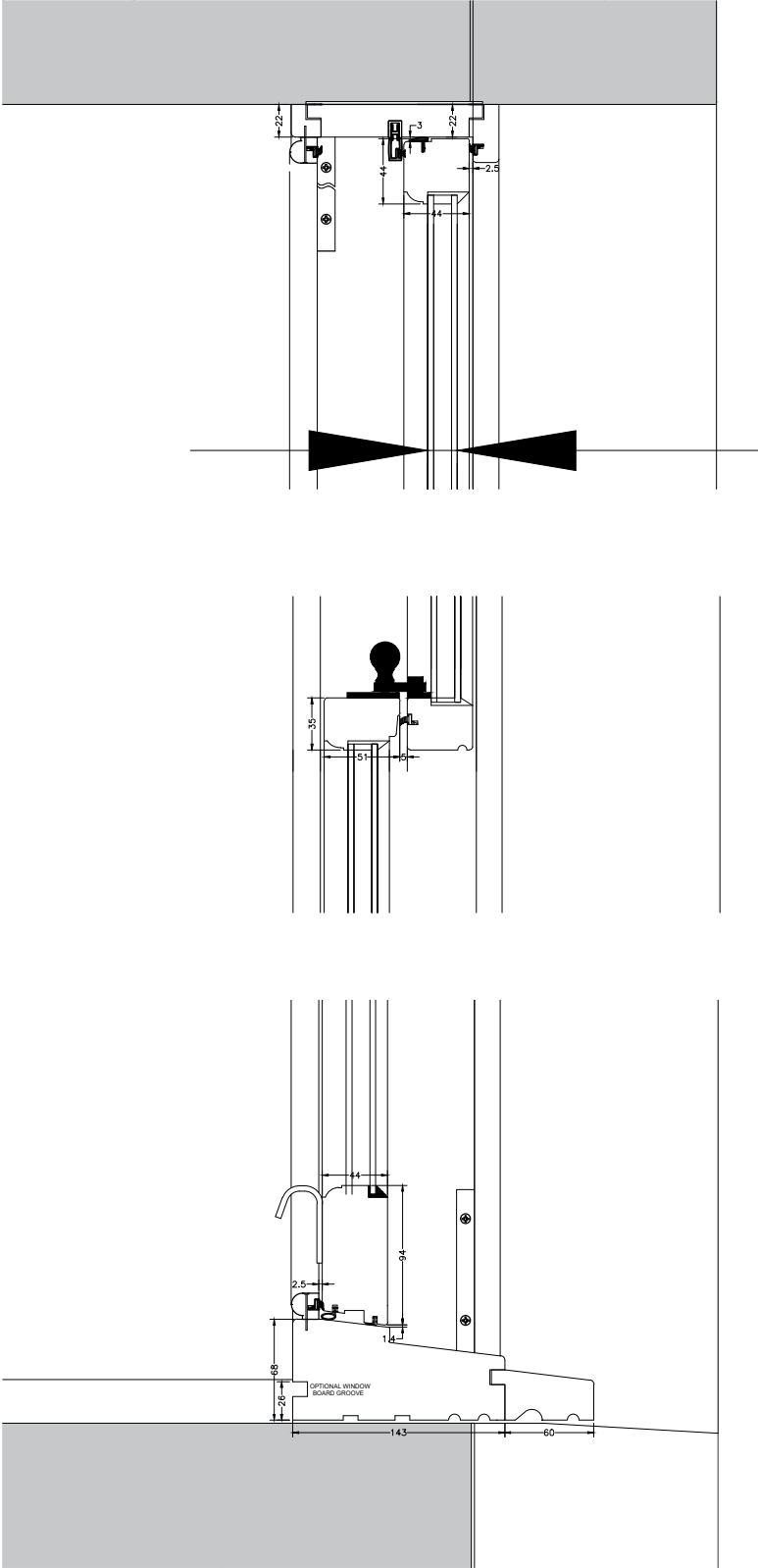
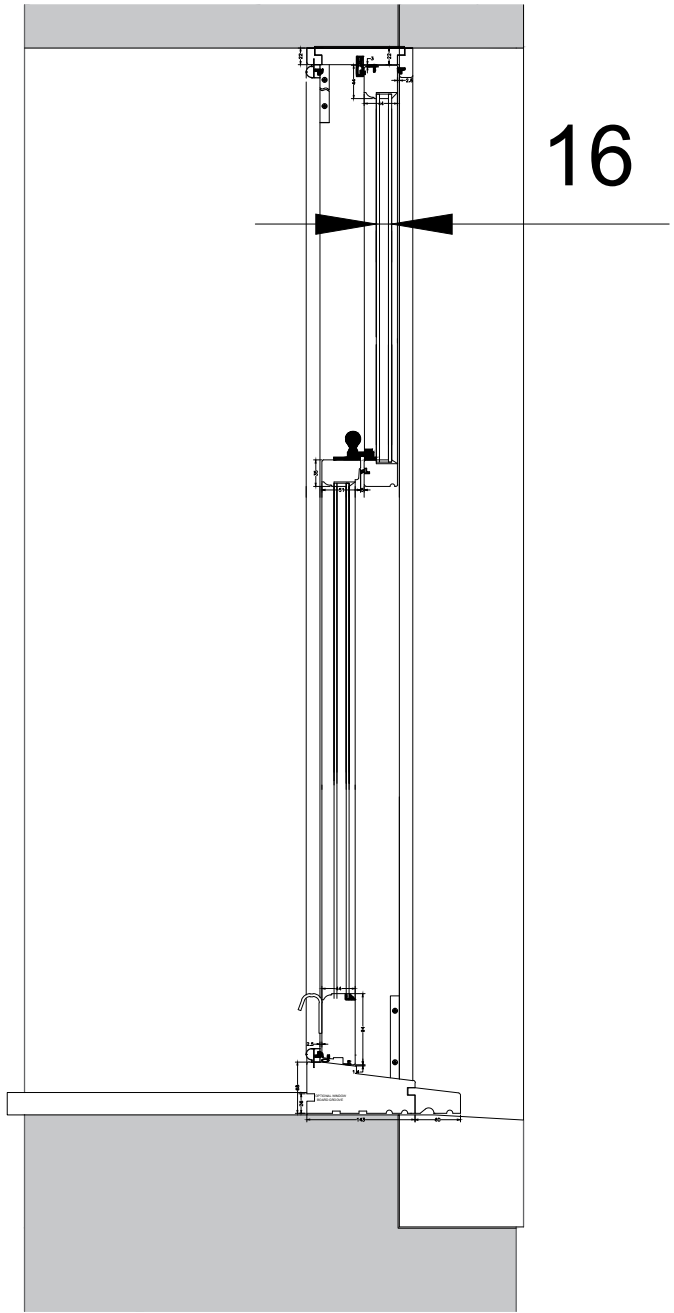


PROPOSED SECTION DETAIL scale 1:5

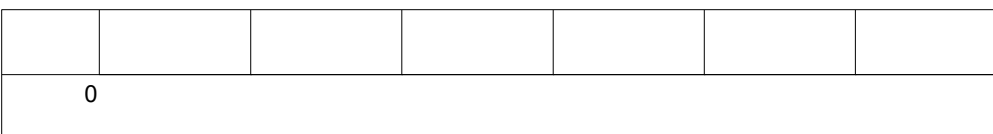
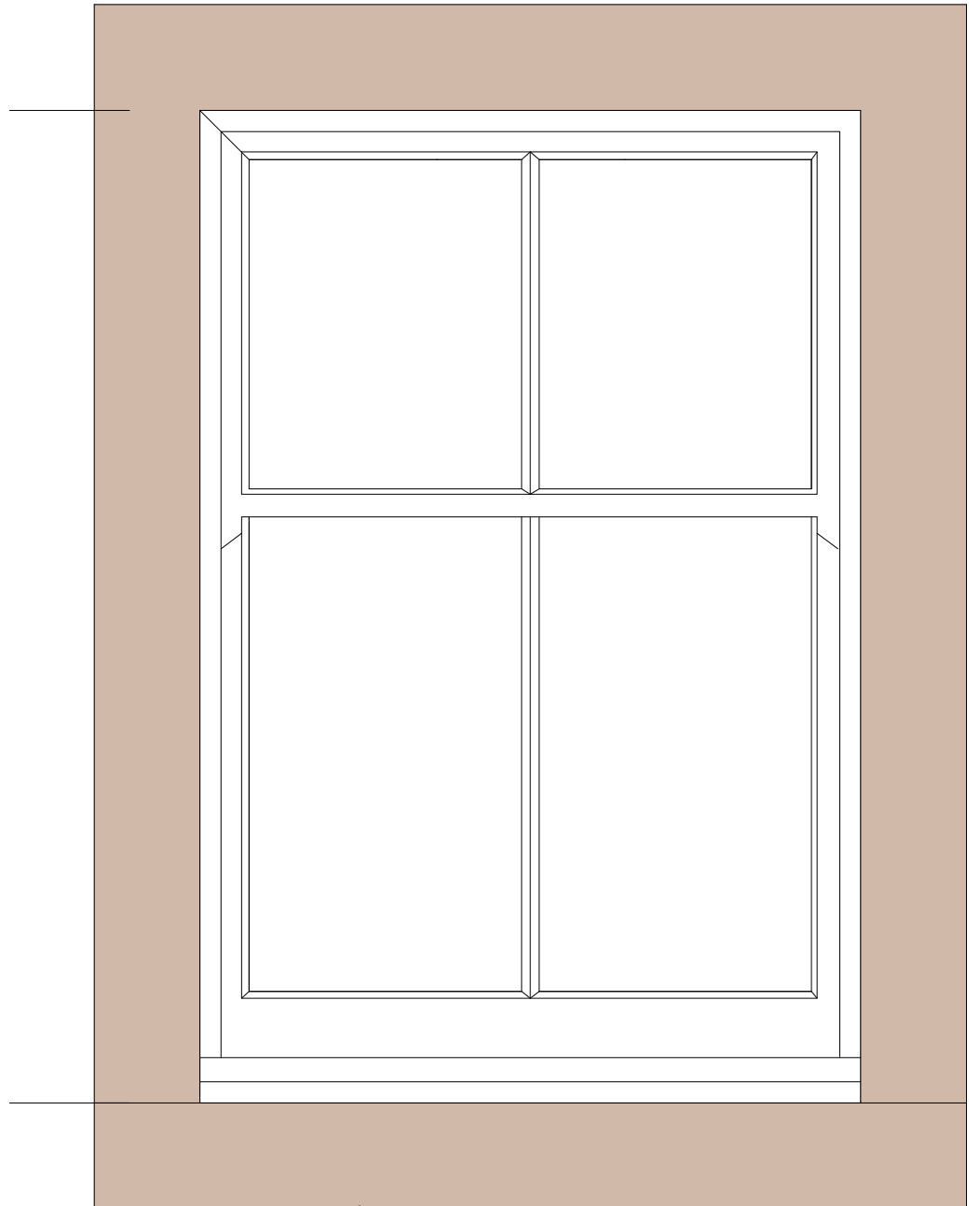


new timber double glazed sash and case window to be painted white to match existing

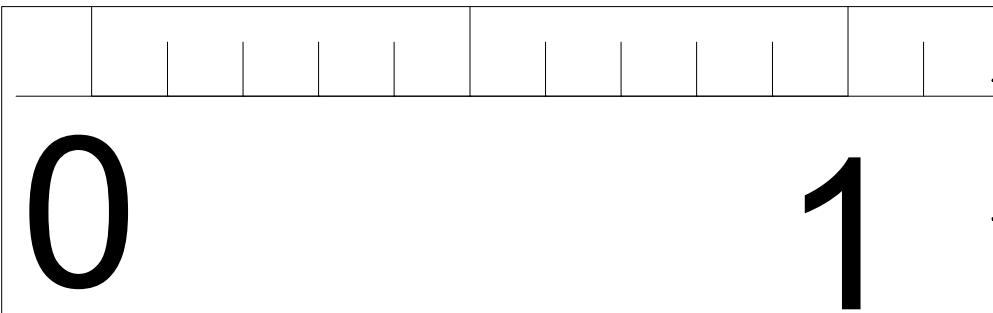
PROPOSED SECTION



PROPOSED ELEVATION



SCALE IN METERS

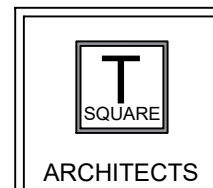


SCALE IN METERS

MR AND MRS SPARKS

PROPOSED INTERNAL ALTERATIONS TO RELOCATE THE KITCHEN AND TO MAKE A GRANNY FLAT, COVERED COURTYARD AND NEW DOORS OUT TO THE GARDEN
4 GLADSTONE PLACE, STIRLING

PROPOSED WINDOW
TYPICAL section DETAIL



Architecture - Design - Planning

39 Allanvale Road
Bridge of Allan
Stirling
FK9 4PA

Mob: 07596906412

E-mail: claire.gibbons@tsquare-architects.co.uk Web: www.tsquare-architects.co.uk

scale	1:20	1:5	1:2	date	16.10.23	drawn:	CG	status:	P
proj no.	2023-1019		Dwg no.	T-602		REV			