

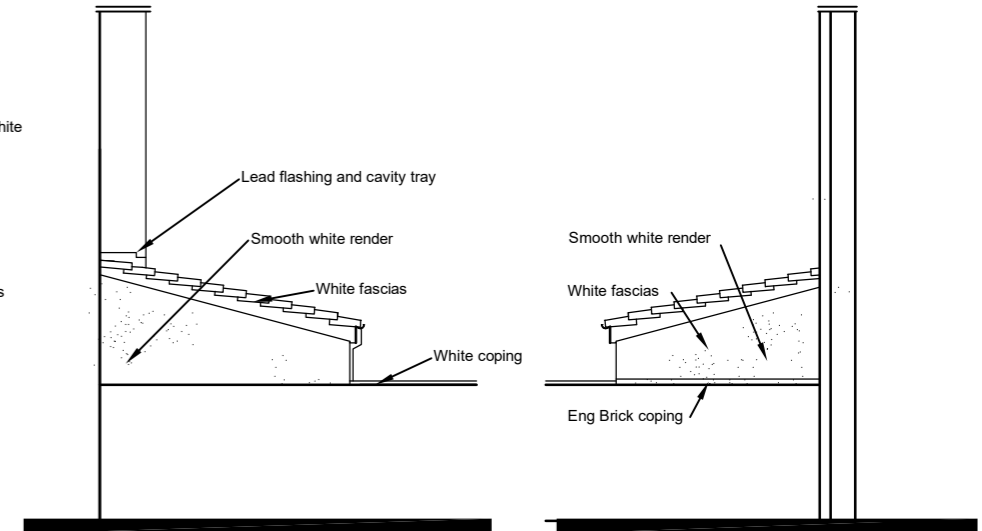
NOTE
 ALL DIMENSIONS TO BE CHECKED ON SITE
 ALL DRAWINGS ARE TO LOCAL AUTHORITY
 AND STRUCTURAL ENGINEERS APPROVAL



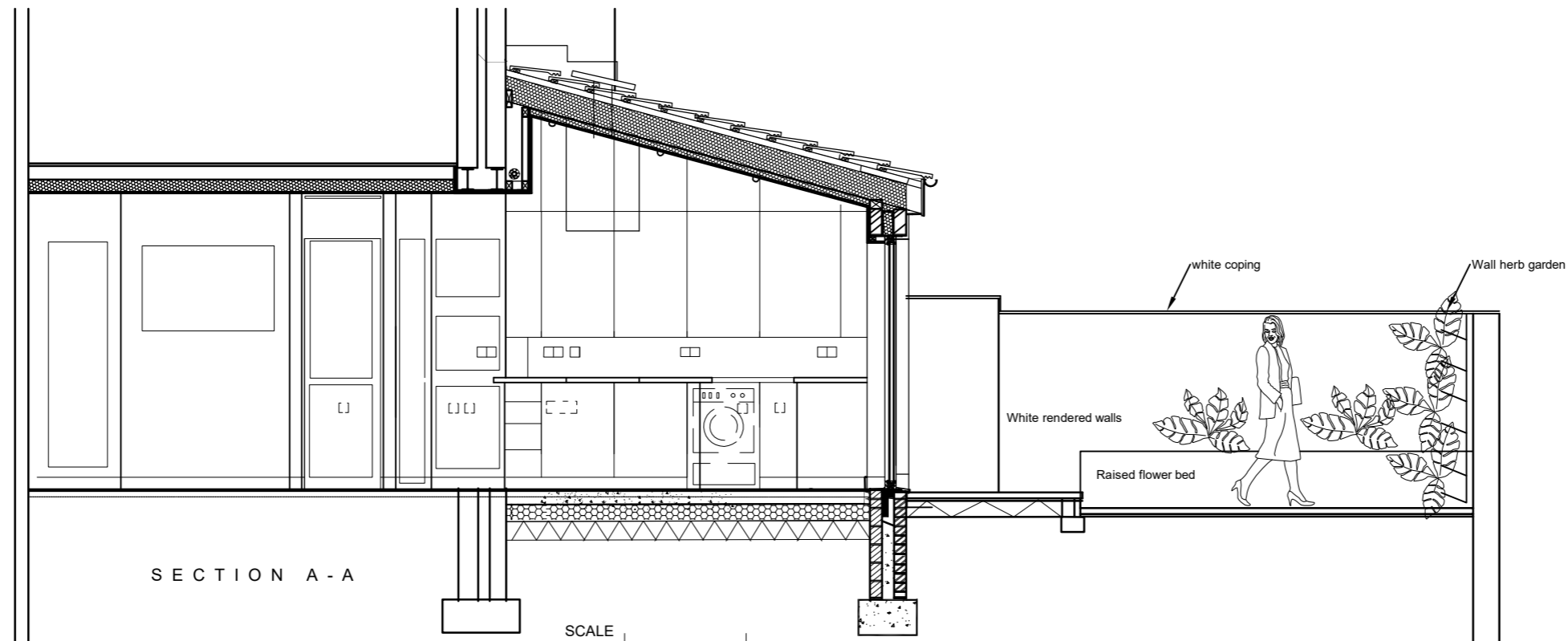
EXISTING REAR ELEVATION



PROPOSED REAR ELEVATION



PROPOSED SIDE ELEVATIONS



SECTION A - A

SCALE
1:50

SCALE BAR

SCALE
1:100

CONTRACT

8 BRIXTON ROAD
 EASTON
 BRISTOL
 BS5 0EN

DRAWING

ELEVATIONS AS EXISTING
 AND PROPOSED.
 PROPOSED SECTION

DATE

OCT 2023

SCALE

1:100
1:50

DRAWING NO.

AC-104-08

REVISION