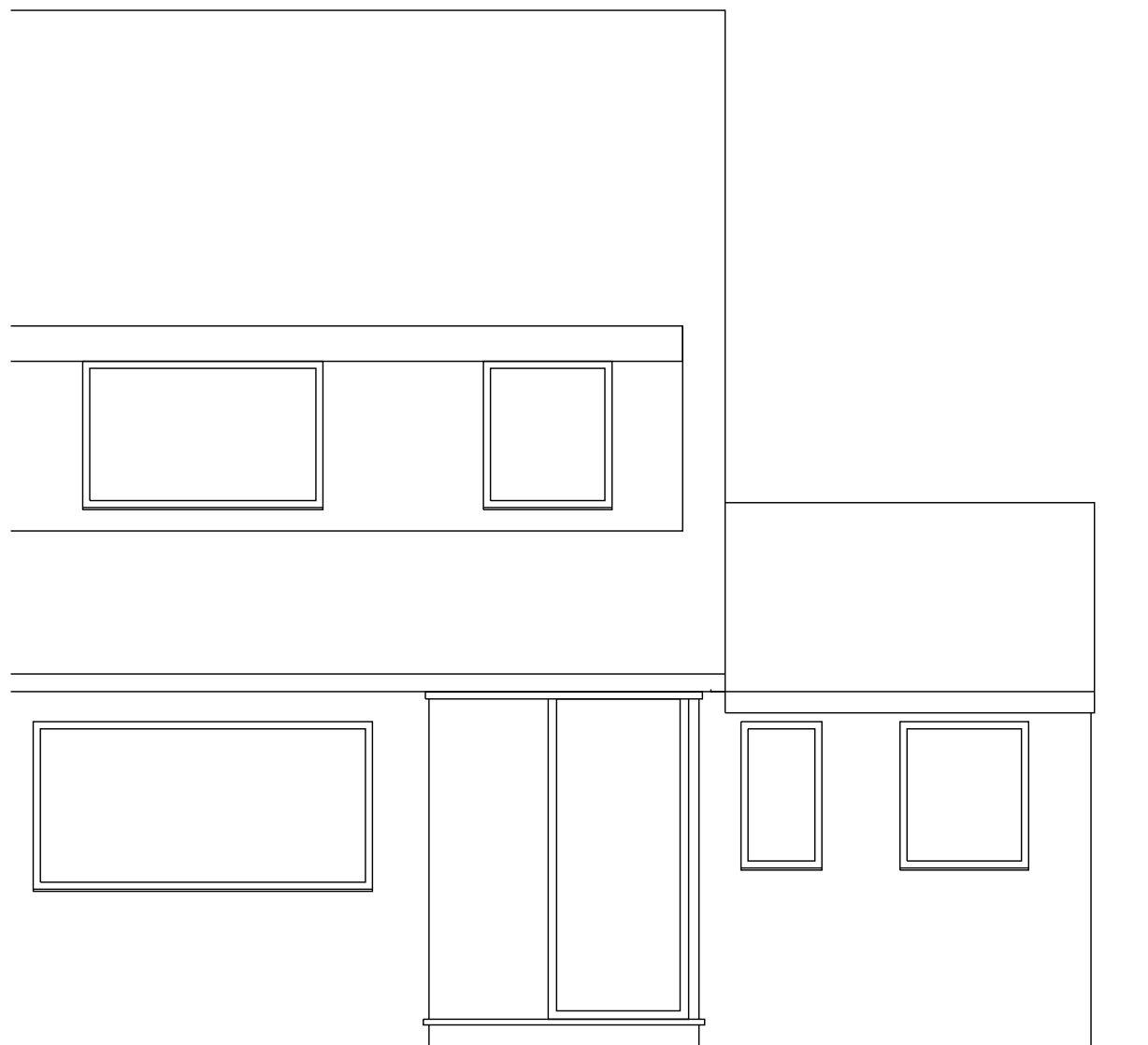
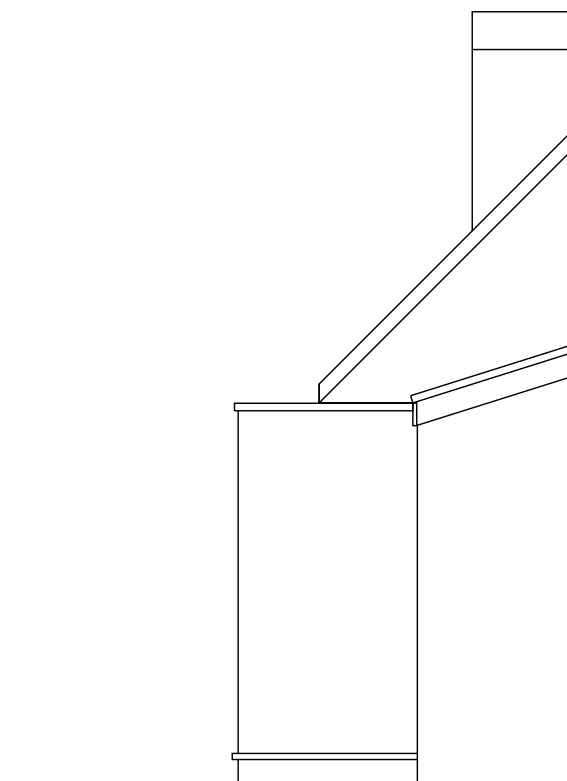




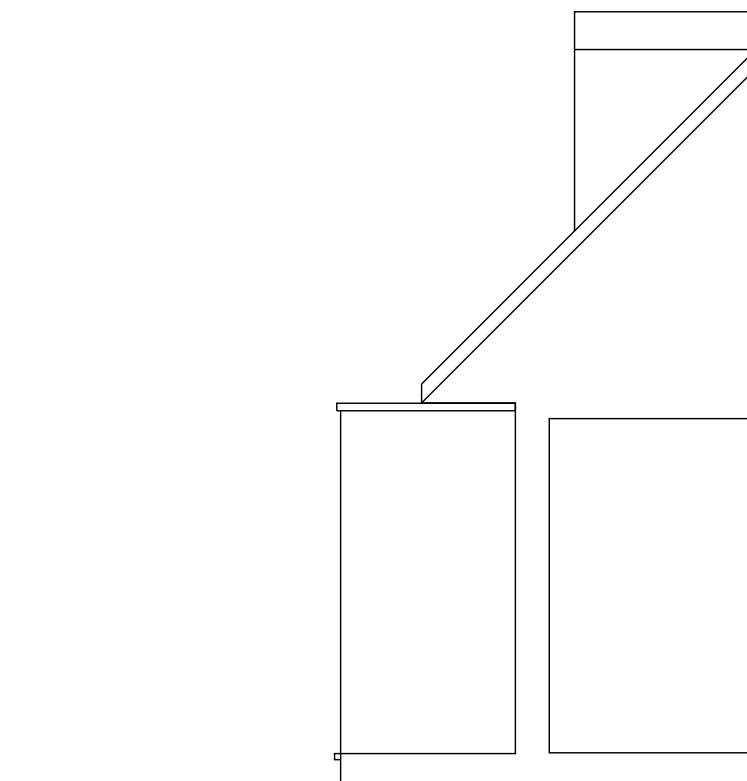
NORTH



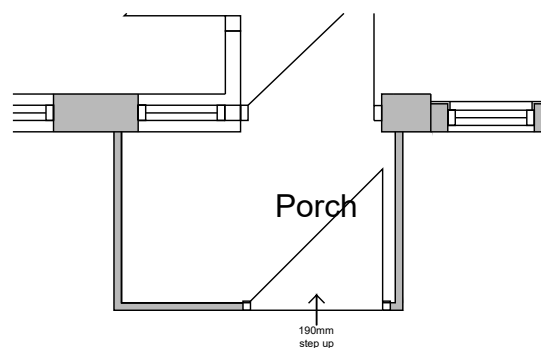
**E1** North Elevation  
EX01 Scale 1:50



**E2** West Elevation  
EX01 Scale 1:50



**AA** Section A-A  
EX01 Scale 1:100



**P1** Ground Floor Plan  
EX01 Scale 1:50

0m 1m 2m  
Scale: 1:50

Drawing Title					<b>Existing Plans and Elevations</b>				
Scale @ A3	Drawn By	Date	Job Number	Drawing Number	Revision				
1:50	JJ	Feb 2012	5824.2	EX01					