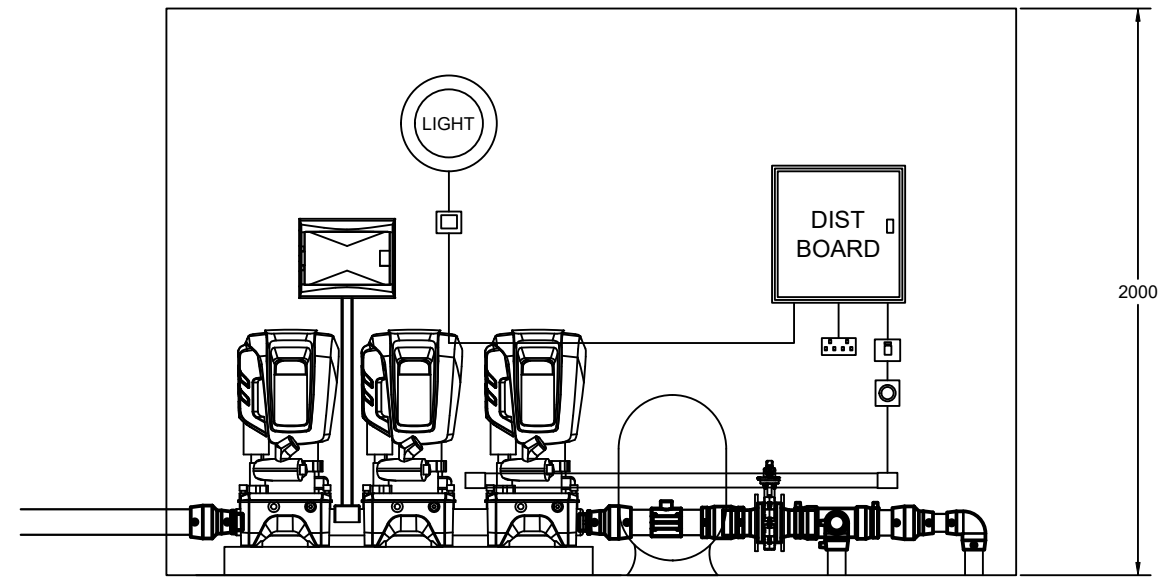
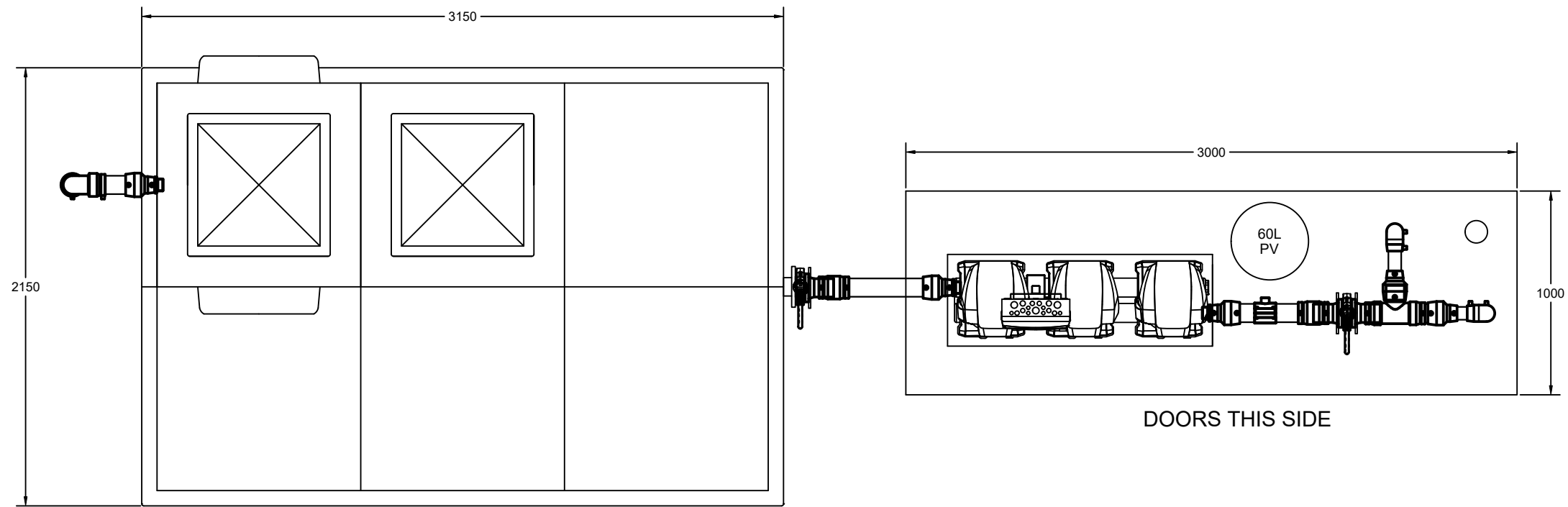



KIOSK DETAIL
PAGE 1 OF 2



NOTES:
1.

0	ORIGINAL DRAFT	01/09/23	LS	ME	LS
REV.	DESCRIPTION	DATE.	DRAWN BY.	CHECKED	APPROVED
 Filpumps <i>Filters-Pumps-Treatment Systems</i>		PROJECT TITLE		BRIDGE OF GAIRN	
		DRAWING TITLE		GENERAL ARRANGEMENT	
FILPUMPS LTD THAINSTONE BUSINESS PARK INVERURIE, ABERDEENSHIRE, SCOTLAND, AB51 5GT		TEL: +44 (0) 1467 623010 FAX: +44 (0) 1467 623011 E-MAIL: info@filpumps.co.uk		CUSTOMER REF: INVERCAULD ESTATE	
		SCALE: (A1) NTS		UNITS: mm	
		DRAWING NUMBER: 220025		DATE OF ISSUE: XXXX	
				DO NOT SCALE	