

Authentic Timber Windows Ltd

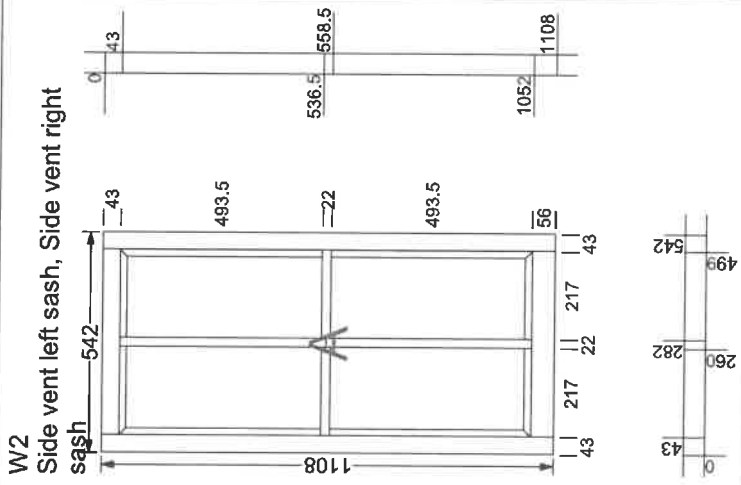
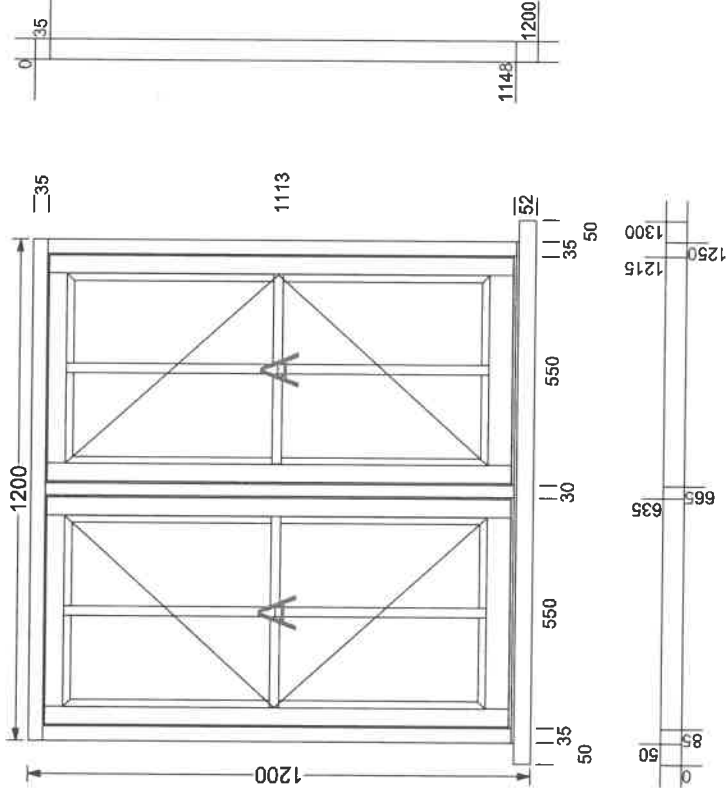
Large Drawings with Setting Out

Client Trade 2 Trade Windows Ltd

Job

Ref Clive

1 X Window - W2 (Protruding Cill: 58mm (150mm overall) + Cill Horn: 50mm // Head Drips: No Transom Drip: No // Tvents: No // Window Board Groove: No // Floating Mullion: No // Finish: Satin Stain HWS 18 - TBC In & Out)



Job reference

Clive

15:53 30-10-23

4 of 6

Large Drawings with Setting Out

1 X Window - W3 (Protruding Cill: 58mm (150mm overall) + Cill Horn: 50mm // Head Drips: No Transom Drip: No // Tvents: No // Window Board Groove: No // Floating Mullion: No // Finish: Satin Stain HWS 18 - TBC In & Out)

