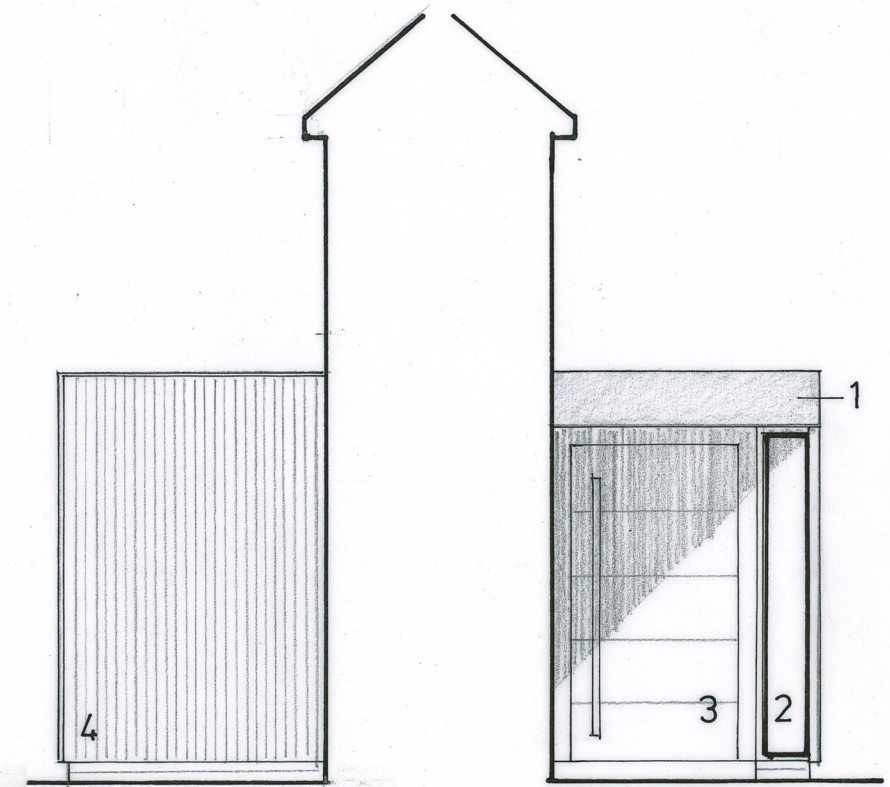




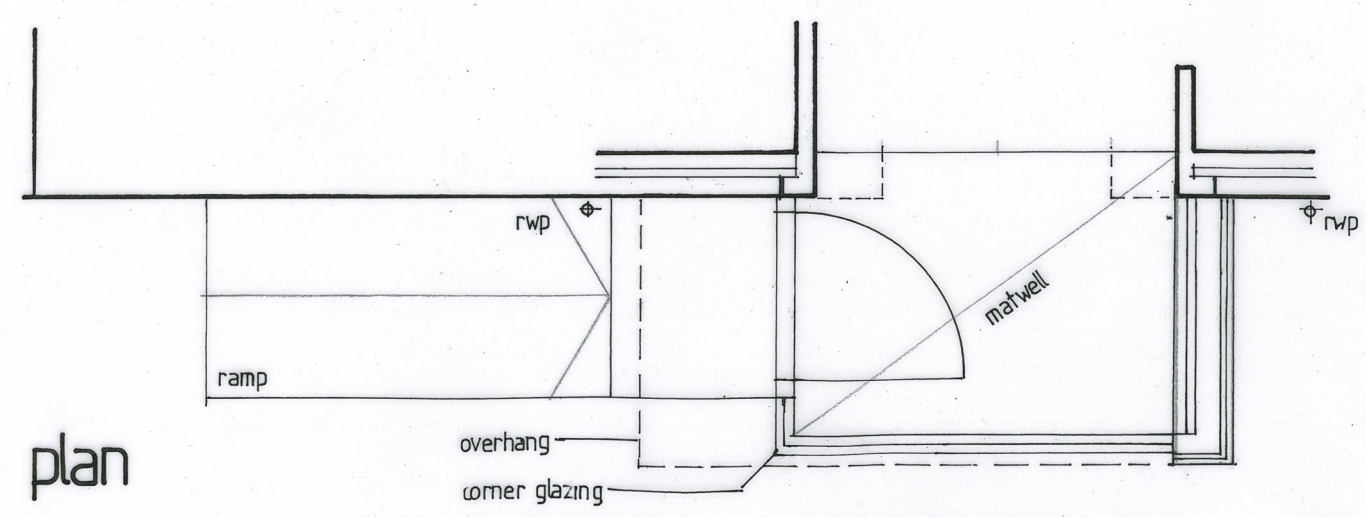
- materials
- 1 mirrored stainless steel
 - 2 glass
 - 3 timber door & frame
 - 4 cedar trim



south

east

west



ian slater architectural design

ian slater M.C.I.A.T
 tel: (01844) 260860
 ian@ianslater.com
 www.ianslater.com

job porch
 treetops
 easington
 bucks
 title proposed plan & elevations



scale @ A3 1:50
 job no. 1690
 dwg no. 01