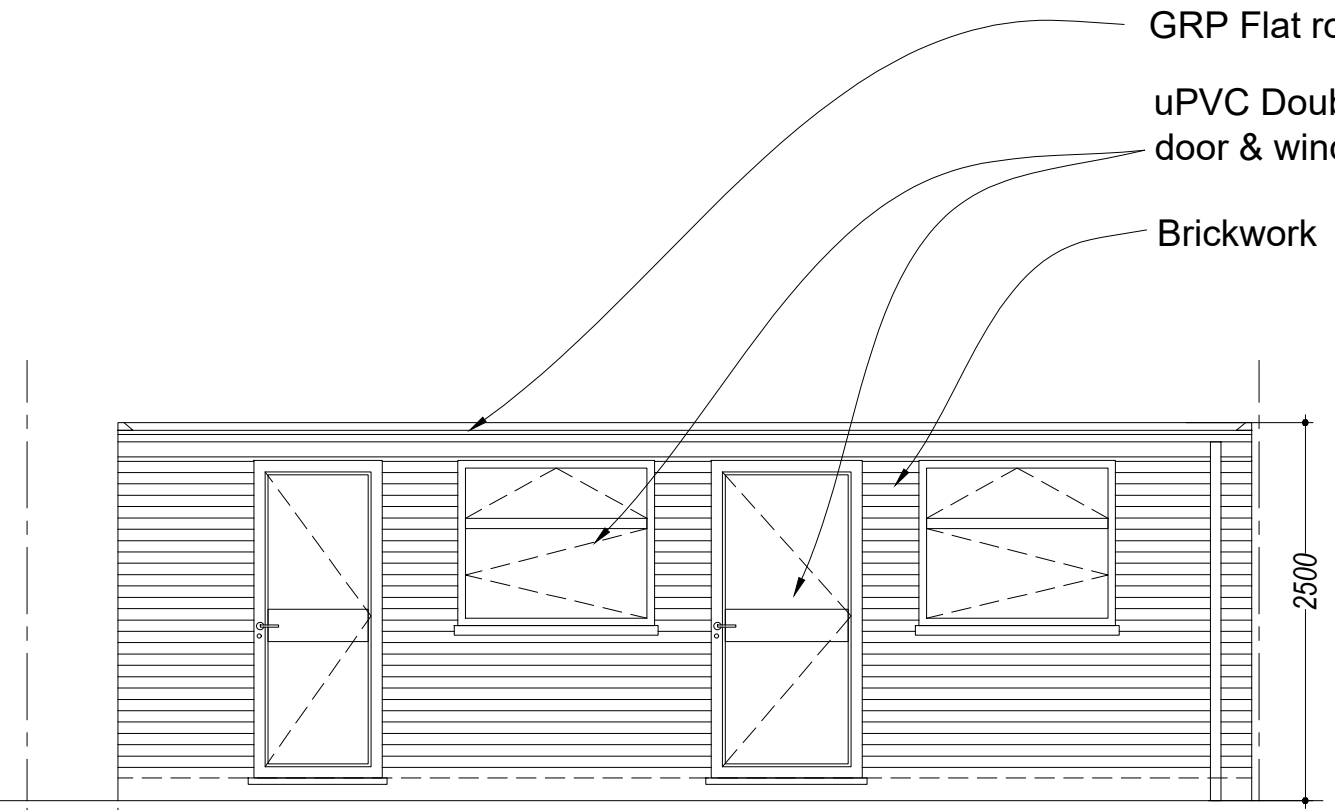


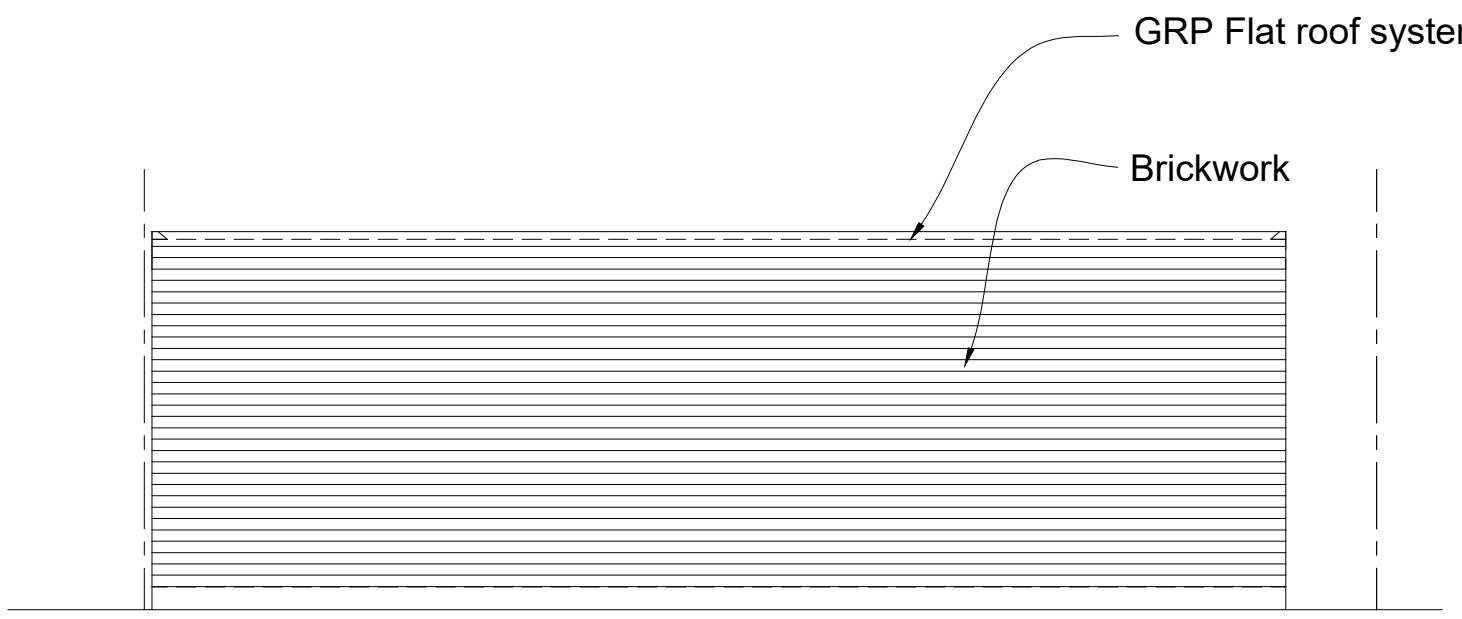
GRP Flat roof system
 uPVC Double glazed door & windows
 Brickwork



PROPOSED FRONT ELEVATION 1:50

GRP Flat roof system

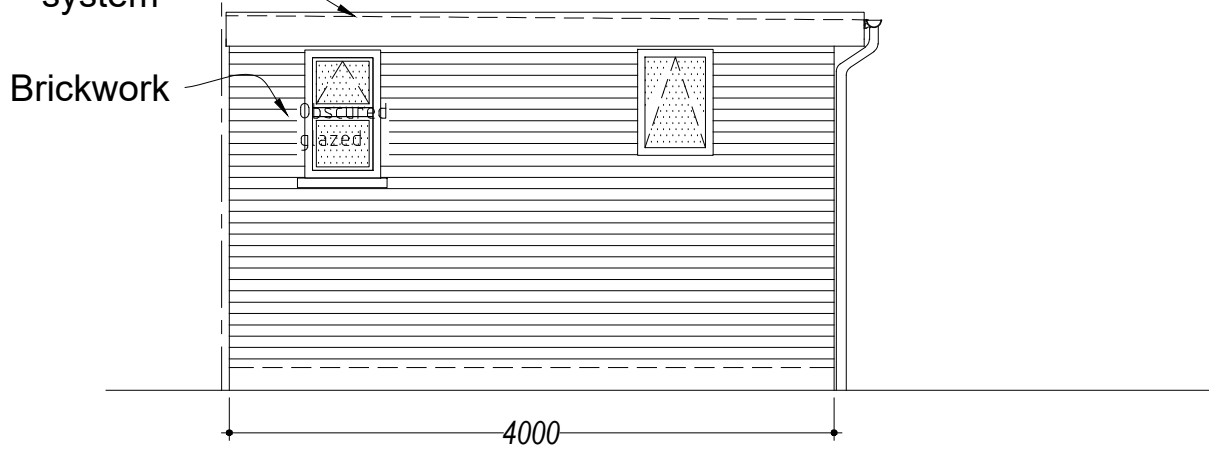
Brickwork



PROPOSED REAR ELEVATION 1:50

GRP Flat roof system

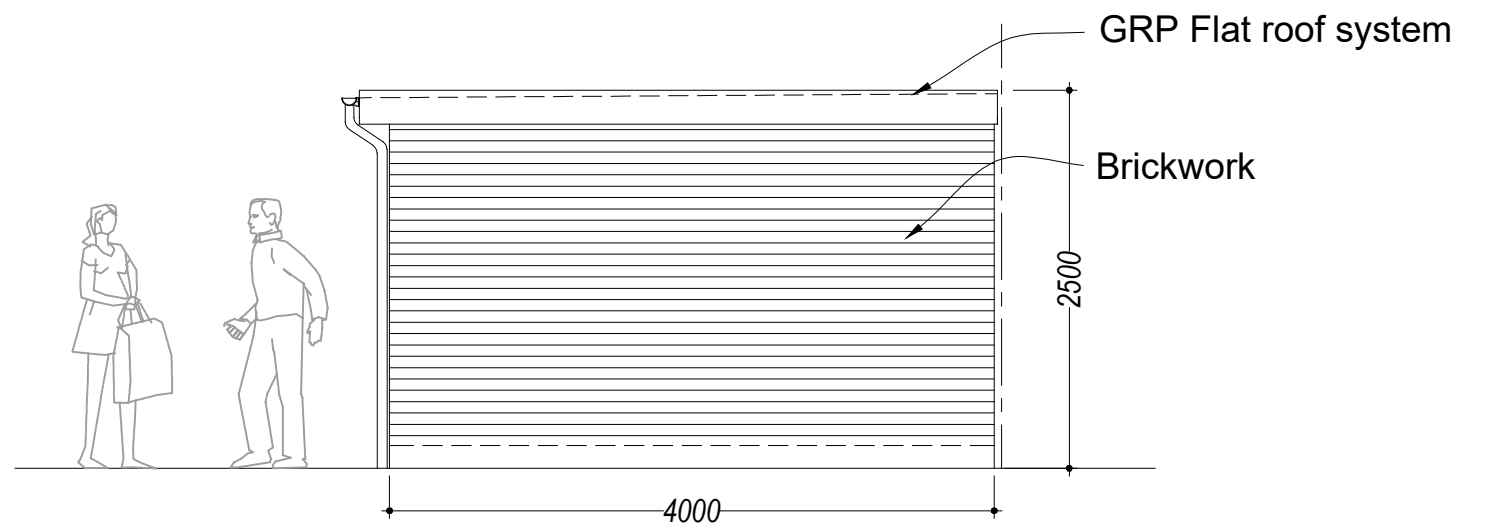
Brickwork



PROPOSED LEFT SIDE ELEVATION 1:50

GRP Flat roof system

Brickwork



PROPOSED RIGHT SIDE ELEVATION 1:50



GENERAL NOTES:
 All dimensions to be checked on site before construction.
 DO NOT scale off this drawing. All construction information should be taken from Figured Dimension Only.
 All drawings to be read in conjunction with specification. All works shall be carried out in accordance with the current British Standard and Codes of practice.
 The Contractor shall be responsible for and must take all necessary precautions to ensure the stability of the existing structure and earthworks on adjoining sites during the course of the contract.
 No work would be carried out until drawings and structural calculations have been approved by Local Authority.

PL

Drawing No. 02

227 Gipsy Road,
 Welling,
 DA16 1HZ
 Outbuilding
 March 2023

Rev A