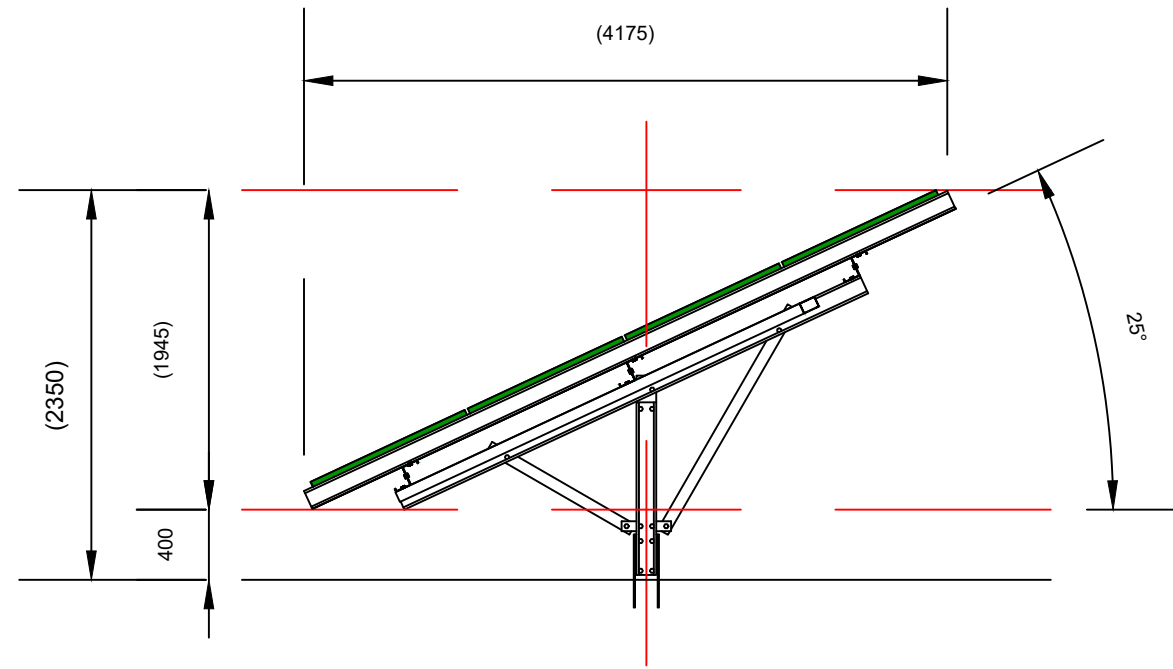
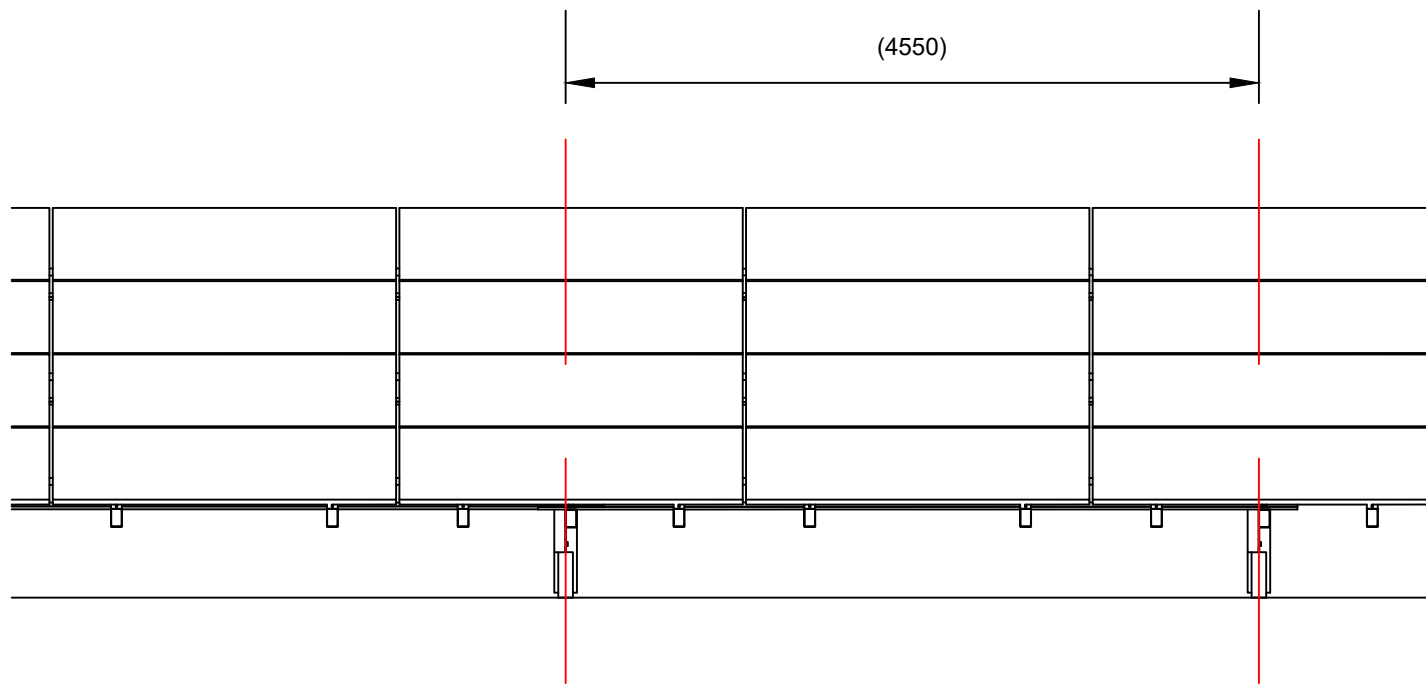


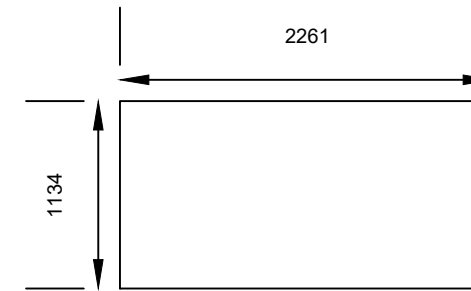
SIDE ELEVATION PLAN



FRONT ELEVATION PLAN



PANEL DIMENSIONS



NOTES DO NOT SCALE OFF DRAWING

PANELS DETAILED CS6W 545WS

DESIGN IS INDICATIVE - DO NOT SCALE

Rev	Date	Description	Drn	Chk	Apd
A	23/10/2023	PLANNING SUBMISSION	RW	PN	FK



Drawn RW	Checked PN	Approved FK
Date 23/10/2023	Date 23/10/2023	Date 23/10/2023

Address RENENERGY LTD  
WOODBASTWICK ROAD  
BLOFIELD HEATH  
NORWICH  
NR13 4RR

Drawing Title  
**THARROS FARM ELEVATION DRAWING**

Scale NTS	Size A4	Project No. 109953	Drawing No. PA03	Rev A
--------------	------------	-----------------------	---------------------	----------