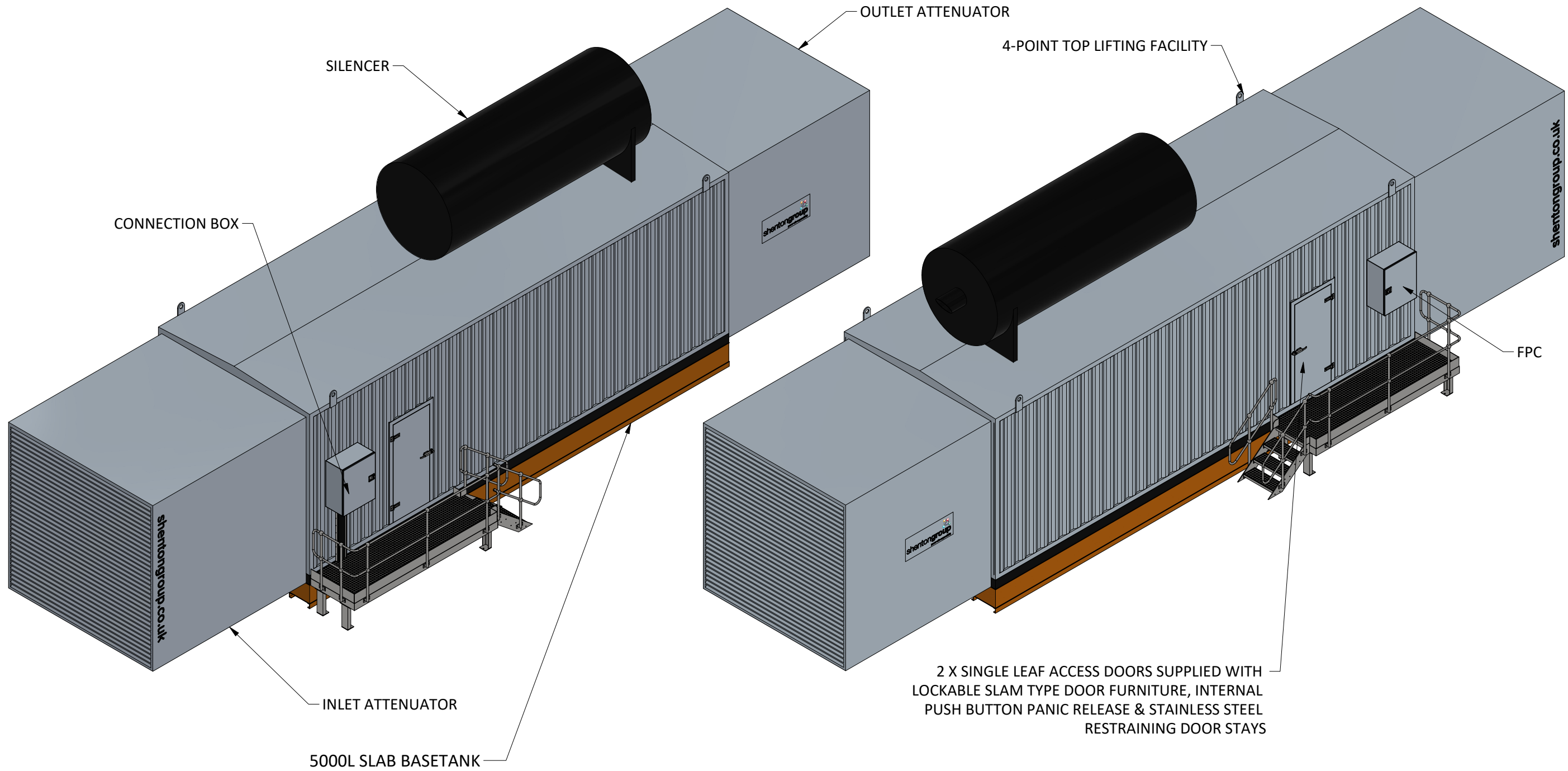


ALL DETAILS ARE PRELIMINARY & SUBJECT TO FINAL DESIGN APPROVAL



SHEET 1 OF 2

This drawing is the property of shentongroup, and must not be copied or reproduced without the express consent of shentongroup.



Shenton Group, Shenton house, Walworth road, Walworth business park, Andover, UK. SP10 5LH  
 t: 0844 888 444 5, f: 0844 888 444 6, e: info@shentongroup.co.uk, w: www.shentongroup.co.uk  
 ©COPYRIGHT Shenton Group is a trading style of Shenton Global Ltd.

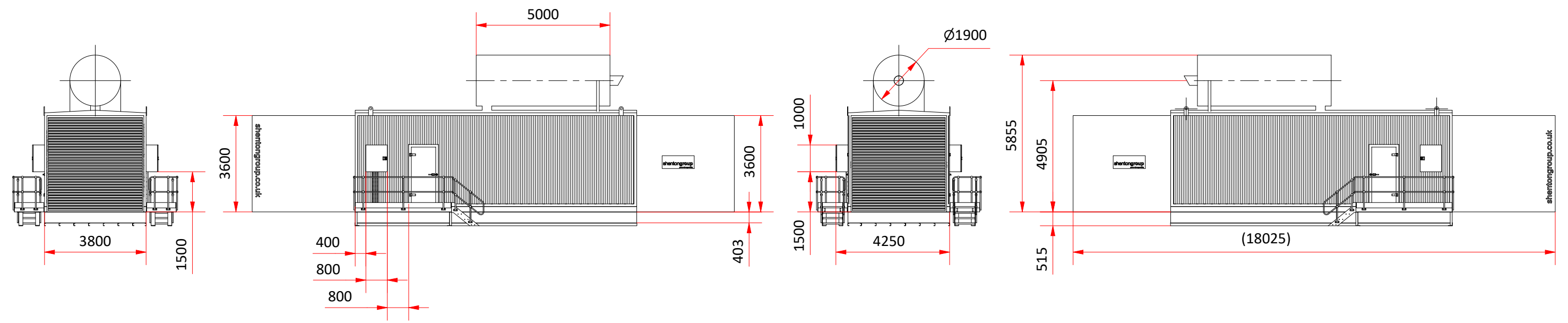
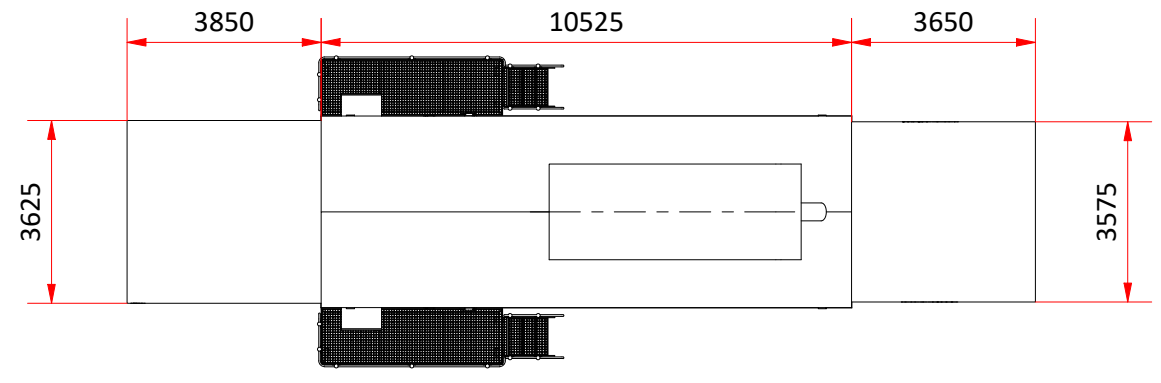
REV	STATUS	DATE	DESCRIPTION	DRAWN	APPROVED
P01	S3	23/05/23	FIRST ISSUE	RDR	

TITLE:	End In End Out_Generator Container GA
PROJECT:	Frimley Park Hospital Imaging Substation
REF:	CUSTOMER: SMP Consulting Engineers
DATE:	23/05/2023
	SHENTON DRAWING No: 17845-SGP-XX-XX-M3-M-2002
	CLIENT DRAWING No:

1 2 3 4 5 6 7 8 9 10 11

ALL DETAILS ARE  
PRELIMINARY &  
SUBJECT TO FINAL  
DESIGN APPROVAL

A  
B  
C  
D  
E  
F



SHEET 2 of 2

This drawing is the property of shentongroup, and must not be copied or reproduced without the express consent of shentongroup.



Shenton Group, Shenton house, Walworth road, Walworth business park, Andover, UK, SP10 5LH  
t: 0844 888 444 5, f: 0844 888 444 6, e: info@shentongroup.co.uk, w: www.shentongroup.co.uk  
©COPYRIGHT Shenton Group is a trading style of Shenton Global Ltd.

REV	STATUS	DATE	DESCRIPTION	DRAWN	APPROVED
P01	S3	23/05/23	FIRST ISSUE	RDR	

TITLE:	End In End Out_Generator Container GA
PROJECT:	Frimley Park Hospital Imaging Substation
REF:	CUSTOMER: SMP Consulting Engineers
DATE:	23/05/2023
	SHENTON DRAWING No: 17845-SGP-XX-XX-M3-M-2002
	CLIENT DRAWING No:

A  
3