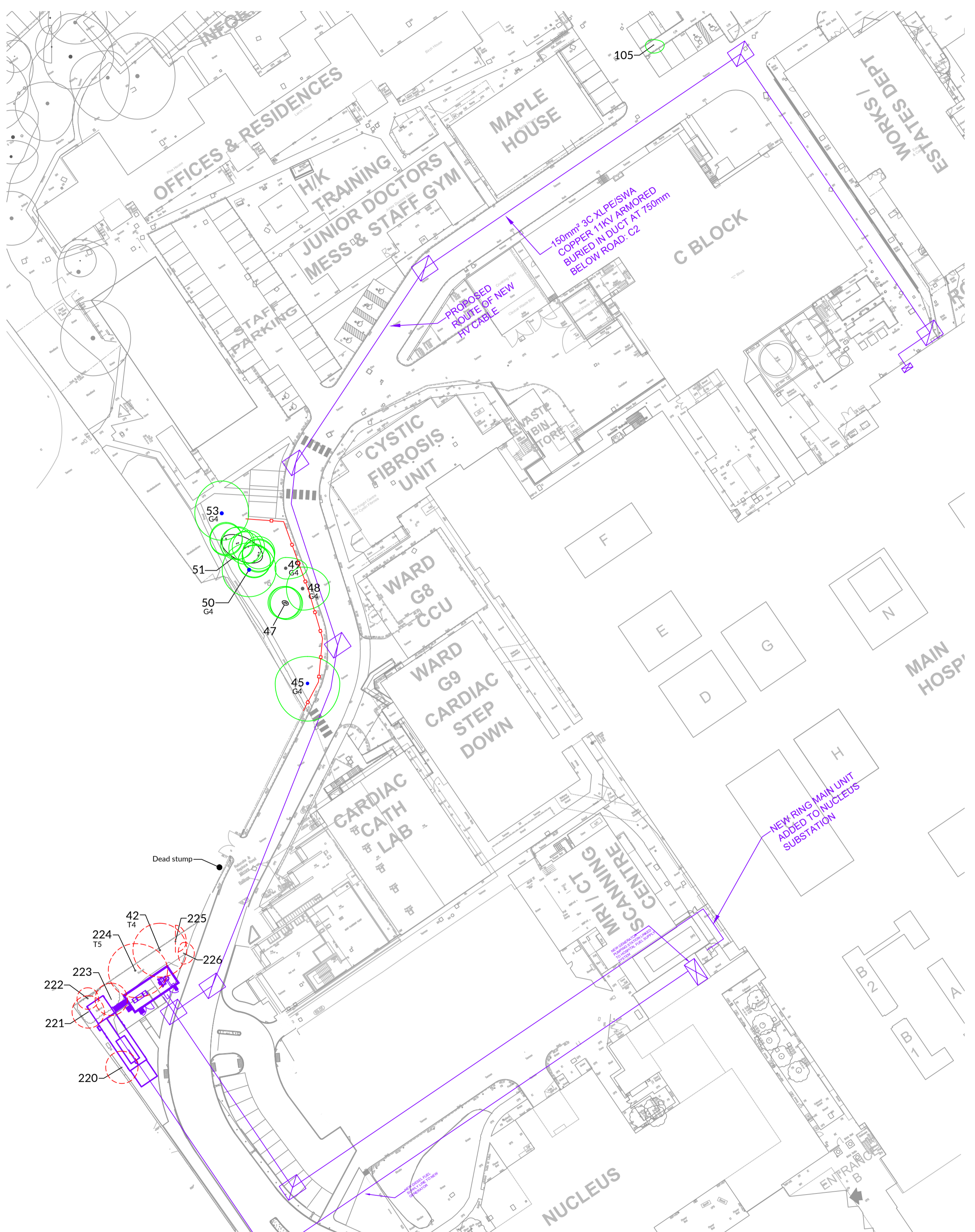
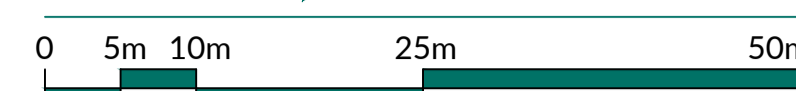


TPO No. 21/2008	Tree No.	Species	Ht (m)	Branch Spread (m)			Stem diameters (cm)					Height of crown clearance (m)	Height of first branch (m) and direction (compass point)	Age class	Category grading and estimated remaining contribution (yrs)	Condition Physiological / Structural	Tree Works to BS3998	Root protection radius (m)	Root protection area sqm		
				N	E	S	Single Stem	2-5 stems												More than 5 stems	
								Stem 1	Stem 2	Stem 3	Stem 4										Stem 5
T4	42	Corsican pine	9	5	5	5	35					1.5	1.5SE	S	>10	Small tree growing against boundary. Main stem smothered in ivy.	Remove.	4.20	55		
G4	43	Blue spruce	9	1.5	1.5	1	17					2	2N	S	>10	Lacking vitality. Main stem smothered in ivy.	Remove.	2.04	13		
G4	45	English oak	14	5	6	7	6	54				4	4S	S	>20	Reasonably well formed broad-spreading tree. Lower stem partially covered in ivy. Some deadwood within crown that overhangs footpath.	Remove all deadwood in excess of 25mm in diameter.	6.48	132		
G4	47	Group of holly	9av				25av					2	2N	S	>10	Reasonably well formed tree growing amidst shrubbery. Some showing signs of loss of vitality.	Remove.	3.00	28		
G4	48	English oak	15	4	5	4	3	57				2	2E	E	>10	Has been crown reduced in the past.	Remove.	6.84	147		
G4	49	English oak	12	2	4	2	2	53				2	2E	E	>10	Has been crown reduced in the past. Lacking vitality.	Remove.	6.36	127		
G4	50	English oak	15	5	5	5	65e					4	4S	E	>20	Reasonably well formed tree growing amidst shrubbery. Main stem covered in ivy.	Remove.	7.80	191		
G4	51	Group of holly	8av				20av					2	2S	S	>10	Group of small trees growing amidst shrubbery. All showing loss of vitality.	Remove.	2.40	18		
G4	53	English oak	16	6	5	5	65e					2	2S	E	>20	Reasonably well formed tree growing in lawn. Lower stem partially smothered in ivy.	Remove.	7.80	191		
T5	105	Willow leaved pear	3	1	2	1.5	1.5					7	6	0	-	S	>10	Small tree growing in island bed between parking spaces.	Remove.	2.06	13
T20	220	Sycamore	7	3	3	3	12					2	2N	Y	>10	Small sapling growing against fence. Unsited to long term retention as close to adjoining building.	Remove.	1.44	7		
T21	221	Amelanchier	5	4	4	4	4					5	9	0	-	S	>10	Small tree growing amidst dense vegetation.	Remove.	1.80	10
T22	222	Lawson Cypress	8	2	2	2	2	21				0	-	-	S	>10	Slender conifer growing within dense vegetation.	Remove.	2.52	20	
T23	223	Amelanchier	4	1	2	2	2					5	6	1	1S	S	>10	Small tree growing amongst dense vegetation.	Remove.	1.47	7
T5	224	Red oak	9	5	6	5	33e					1.2	1.2SW	S	>10	Established tree but of misshape and form. Ivy smothered main stem.	Remove.	3.96	49		
T5	225	Scot pine	9	3	2	2	0	23				2	2N	S	>10	Suppressed by adjoining tree.	Remove.	2.76	24		
T5	226	English oak	5	2	2	2	1	13				1	1N	Y	>10	Small tree adjoining footpath.	Remove.	1.56	8		



NORTH



- NOTES
- This tree survey information has been prepared for planning purposes only. Additional detail will be needed for foundation design.
  - The original of this drawing was produced in colour - a monochrome copy should not be relied upon.
  - Scale for planning purposes only.
  - All dimensions to be checked on site.
  - The copyright of this document resides with Keen Consultants unless assigned in writing by the company.
  - Details shown on this drawing are devised with reference to BS5837:2012: Trees in relation to design, demolition and construction - Recommendations.
  - Tree Preservation Order based on Surrey Heath Borough Council Tree Preservation Order No. 21/2008.
  - Topographical survey based on Vector Survey Solutions drawing number 07010-01.
  - Where trees were not identified on the topographical survey they have been plotted by eye.
  - Proposed Substation Layout based on Stuart McCurry & Partners Limited drawing no SK-E-00-123-13 P1.
  - HV Cable Route based on Stuart McCurry & Partners Limited drawing no 00-E-00-100-03 P1.

- KEY
- Existing site features
  - Proposed structures
  - Trees retained (Green-coloured line indicates extent of canopy)
  - Trees for removal (Red-coloured dash line indicates extent of canopy)
  - 2.0m high barrier as detail in Figure 1

KEY TO TREE SCHEDULE

Column Heading	Explanation
Tree No.	Unique number corresponding with number on plan
Species	English names
Ht (m)	Height in metres
Branch Spread	Crown radius in metres to cardinal points of the compass
Stem Dia	All measurements conform to Annex C of BS 5837:2012
	Single stem - Stem diameter in centimetres measured at 1.5m above ground level.
	Multi-stemmed tree with 2 to 5 stems - Diameter of each stem
	Multi-stemmed tree with more than 5 stems - Average stem diameter and number of stems
Height of crown clearance	Height in metres between the ground and underside of canopy
Height of first major branch and direction of growth	Height from ground level to base of first major branch and the approximate direction of growth
Abbreviations as suffix to a dimension	Suffix 'e' denotes an estimated dimension
Age Class	Age Class definitions: Y = Young S = Semi-mature E = Early mature M = Mature O = Over mature
Category grading and Estimated remaining Contribution (yrs)	Summary of BS 5837: 2012 categorisation: 1. Trees unsuitable for retention: U = those in such a condition that they cannot realistically be retained as living trees in the context of the current land use for longer than 10 years 2. Trees to be considered for retention: A1, 2 or 3 = trees of high quality (substantial contribution >40 yrs) B1, 2 or 3 = trees of moderate quality (significant contribution >20 yrs) C1, 2 or 3 = trees of low quality (but adequate, ie >10 yrs or young trees - until new planting can be established) Note: Useful estimated remaining contribution of the tree or tree group based on figures stated in BS5837:2012
Condition	Brief description including physiological and structural defects
Tree Works	Works required to be undertaken to the trees to facilitate the construction of remediate a defect encountered during the survey
Root Protection Radius	Radius of minimum root protection area in metres calculated from section 4.6 and Annex D of BS5837:2012
Root Protection Area	Total area of minimum root protection area extrapolated from root protection radius

0 Preliminary issue 03.08.23

Rev	Description	Date
0	Preliminary issue	03.08.23

KEEN CONSULTANTS  
 Keen Consultants is a trading name of Keen (Europe) Limited. Registered No: 12641584  
 Registered office: 4 Sudley Road, Bognor Regis, West Sussex, PO21 1EU

Client  
**FRIMLEY HEALTH NHS FOUNDATION TRUST**

Project  
**FRIMLEY DIPU M BLOCK NEW SUB-STATION, FRIMLEY**

Title  
**TREE PROTECTION PLAN**

Date  
**AUG 2023**

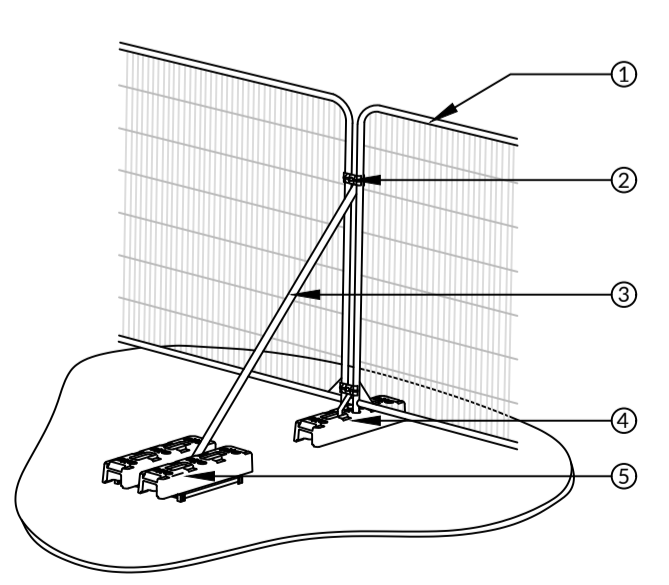
Scale  
**1:500@A1**

Drawn by  
**ML**

Checked by  
**JTK**

Drawing Number  
**2153-KC-XX-YTREE-TPP01Rev0**

Figure 1: Example of a protective barrier



- Steel mesh panel
- Connectors fitted to secure panels
- Diagonal strut
- Block feet to avoid driven scaffold poles
- Block tray weighted with blocks