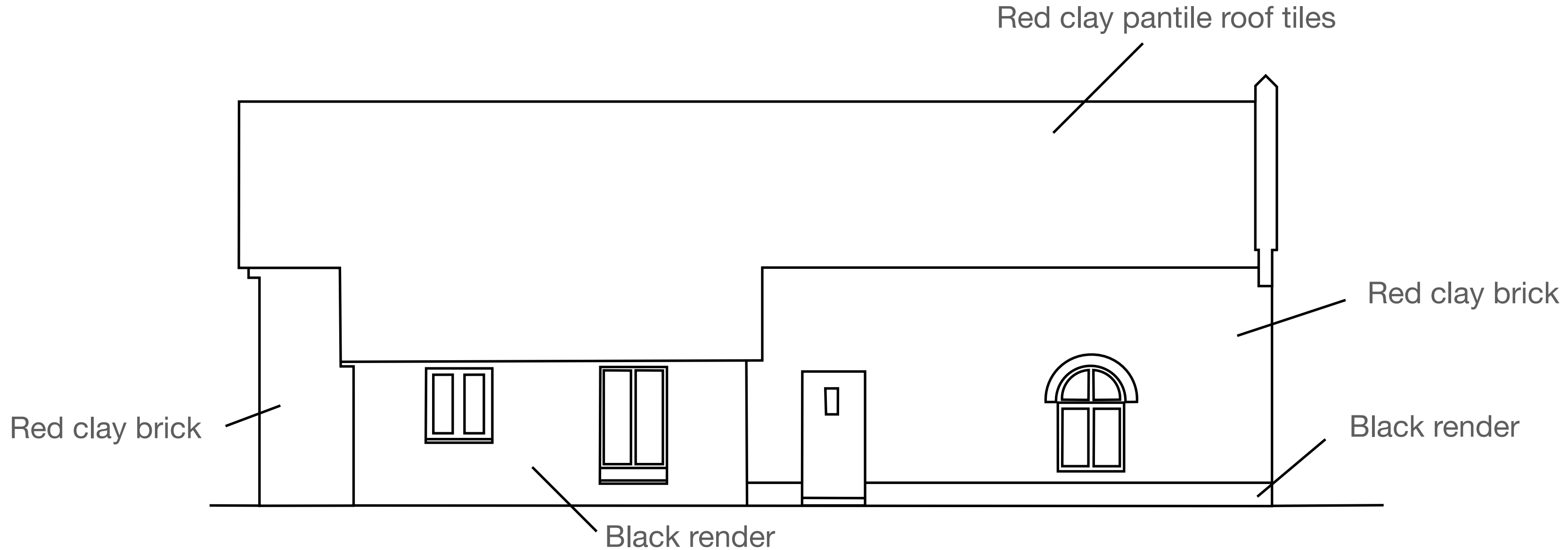


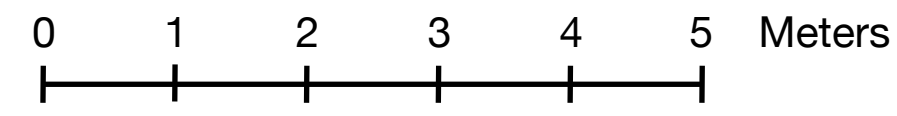
West elevation

Before



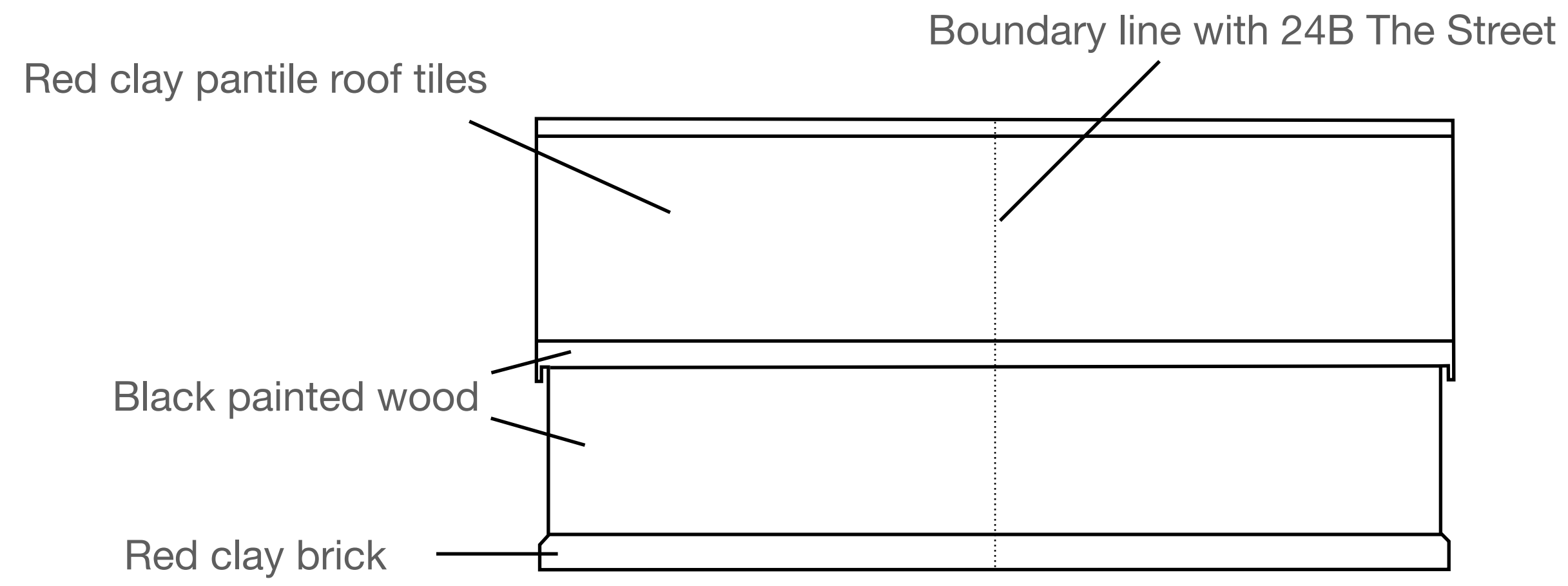
After

10 Black solar photovoltaic (PV) panels. Each 1762 x 1134 mm



East elevation of garage

Before



After

8 Black solar photovoltaic (PV) panels. Each 1762 x 1134 mm

