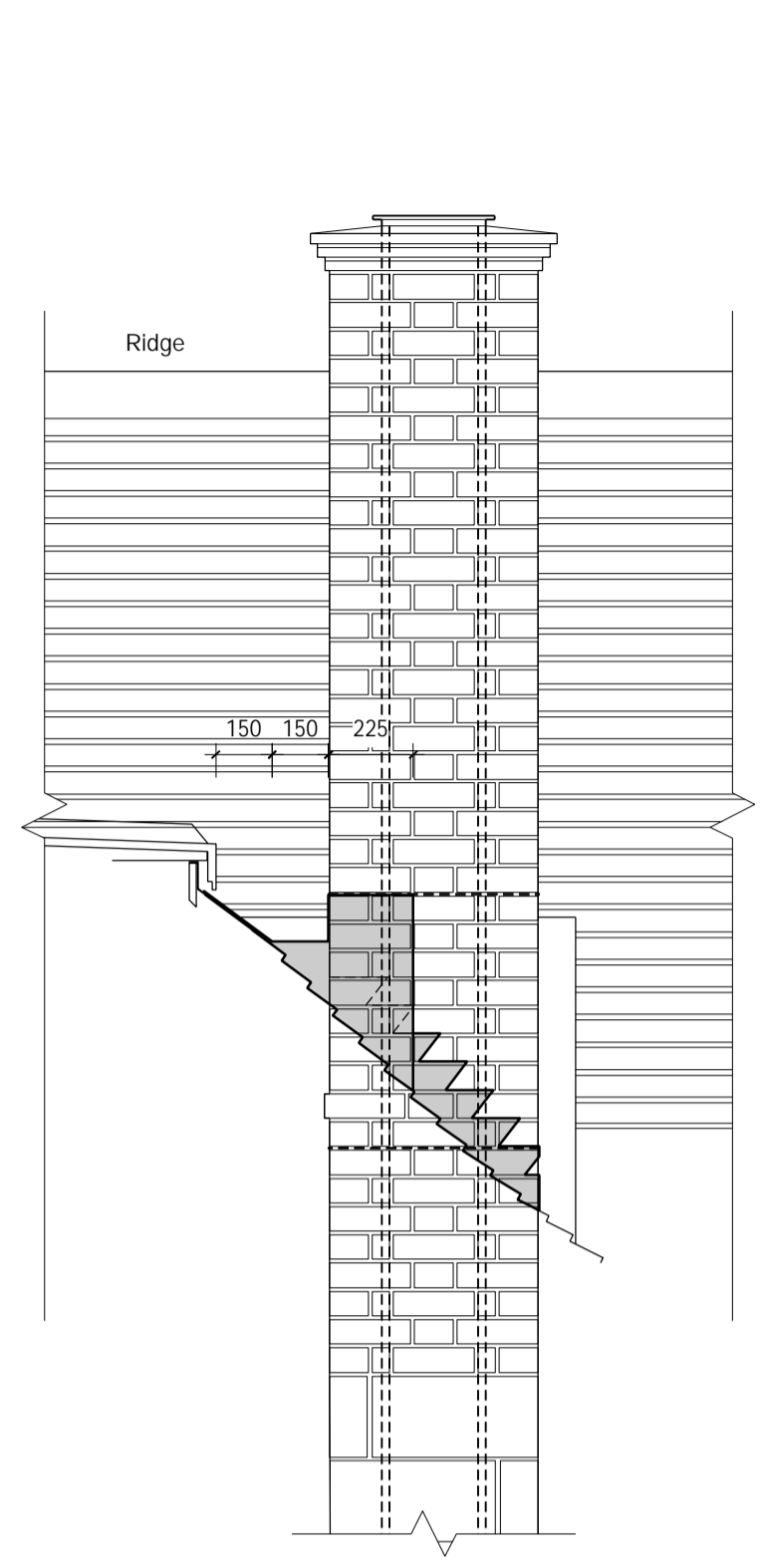
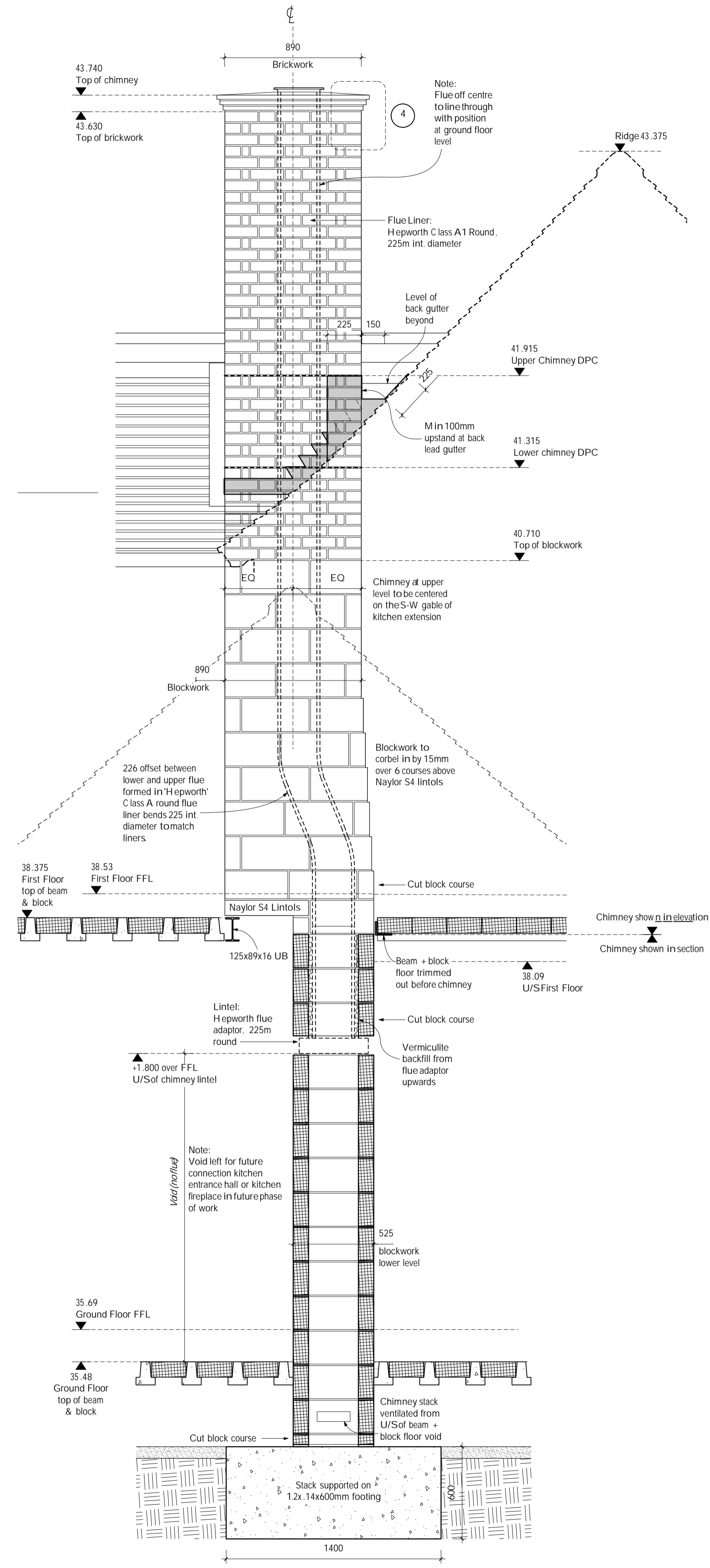


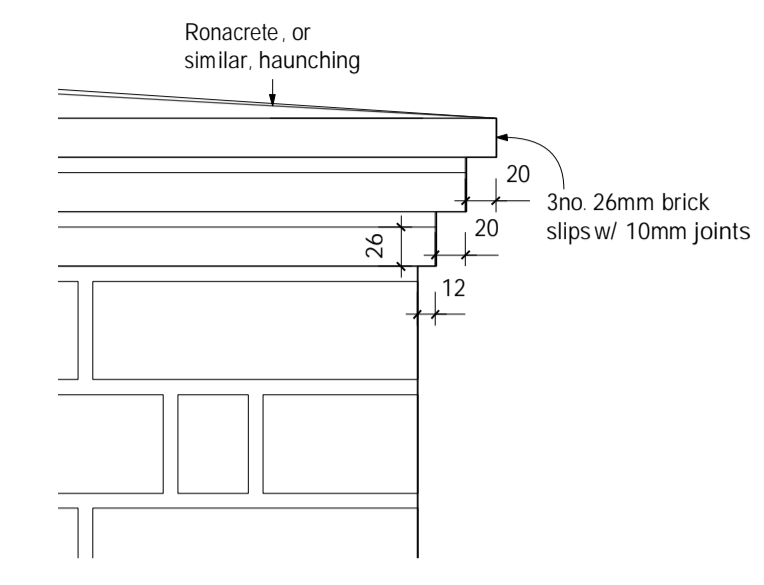
Leadwork



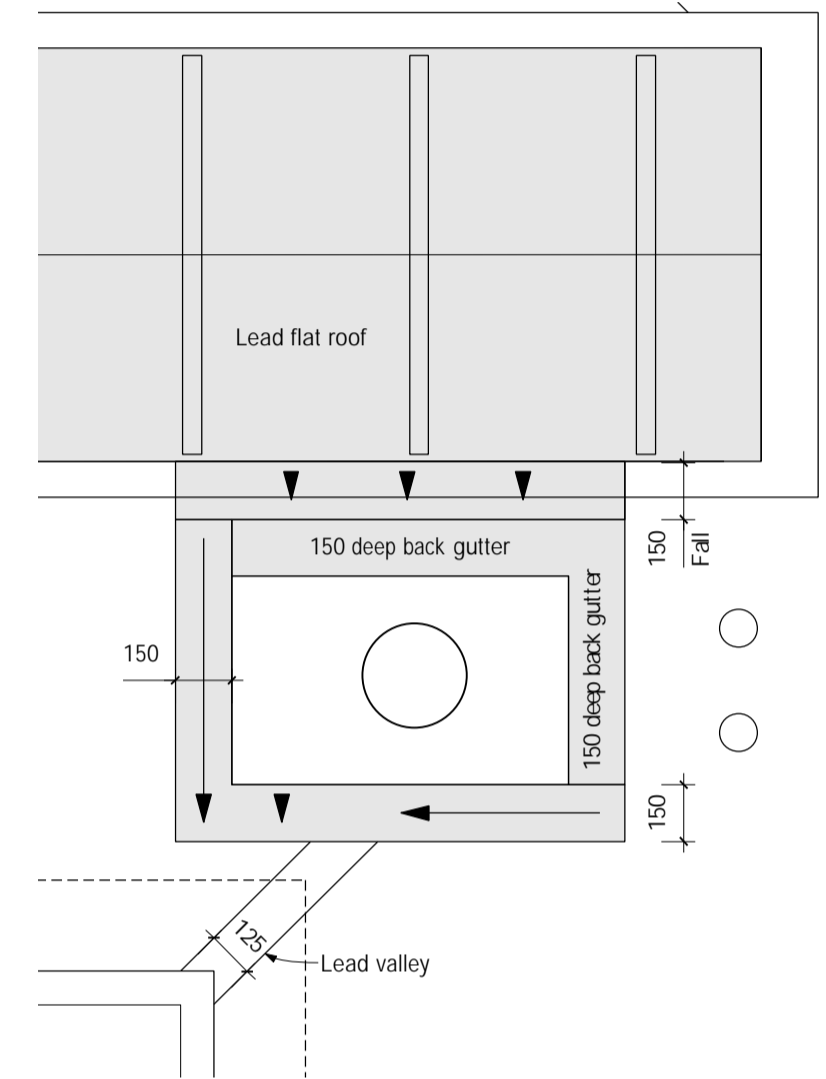
1 Chimney N-W Elevation (Extract) Setting Out - 1:20 at A1



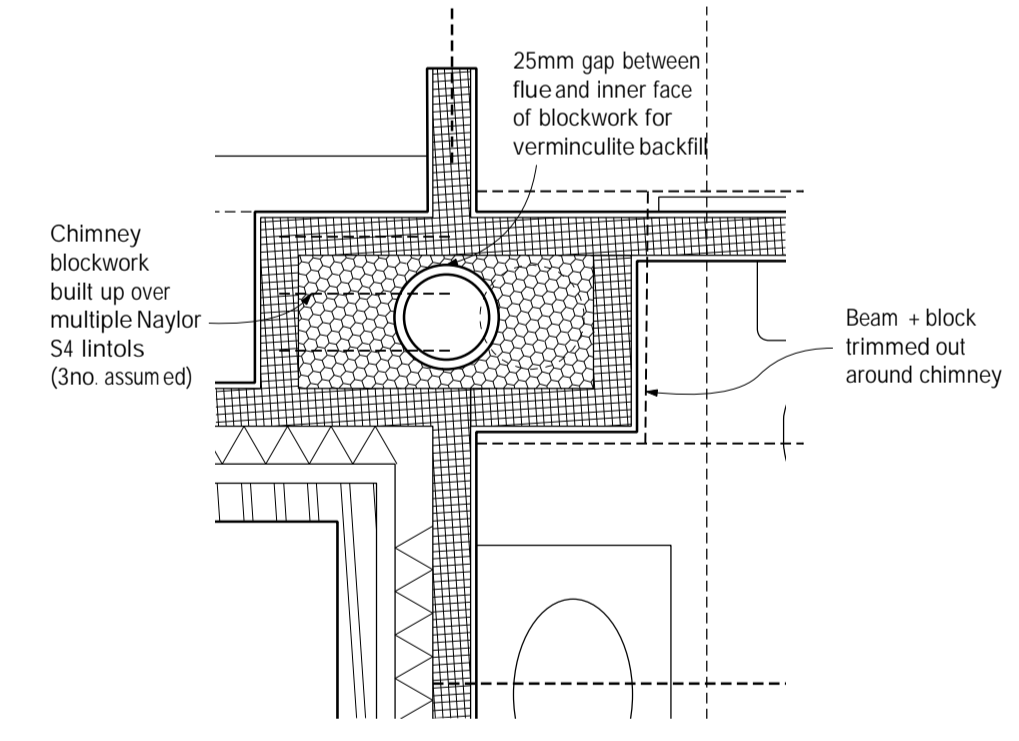
2 Chimney S-W Elevation Setting Out - 1:20 at A1



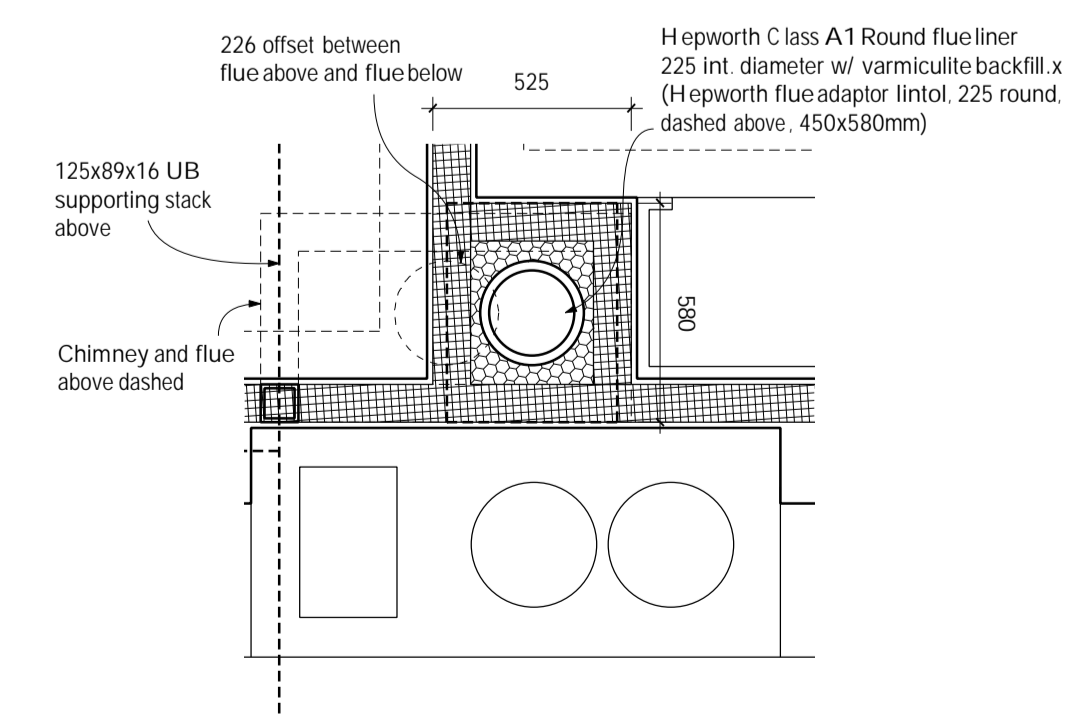
4 Chimney Cap Detail 1:5 at A1



5 Chimney Plan at Roof level 1:20 at A1



6 Chimney Plan at FF level 1:20 at A1



7 Chimney Plan at GF level 1:20 at A1

Hoare, Ridge & Morris
Architects

project	THE POUND Higham, Suffolk
drawing title	Proposed Main House Chimney Details
scale	1:20, 1:5 at A1
status	TENDER
drawing no.	177.305