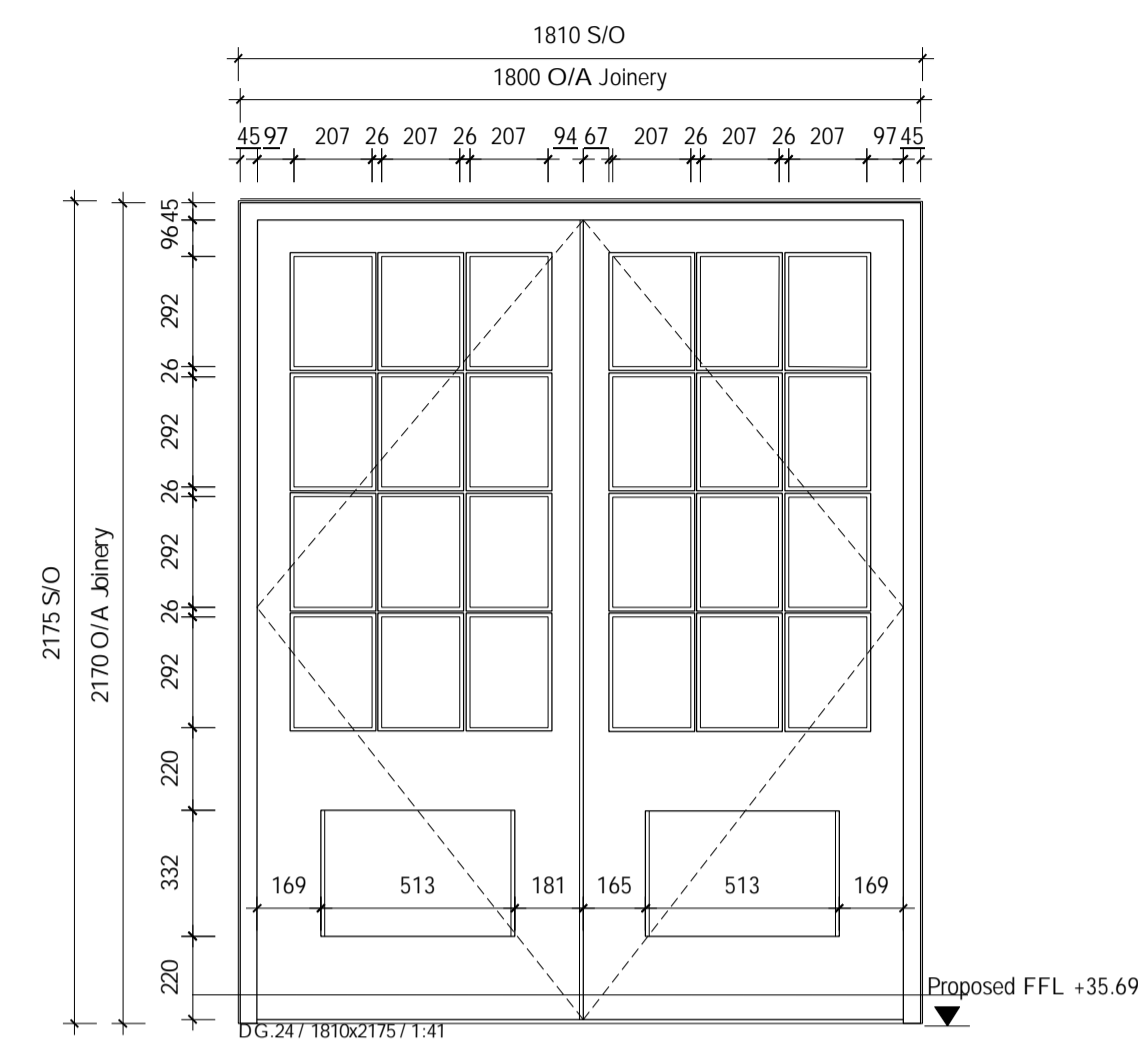
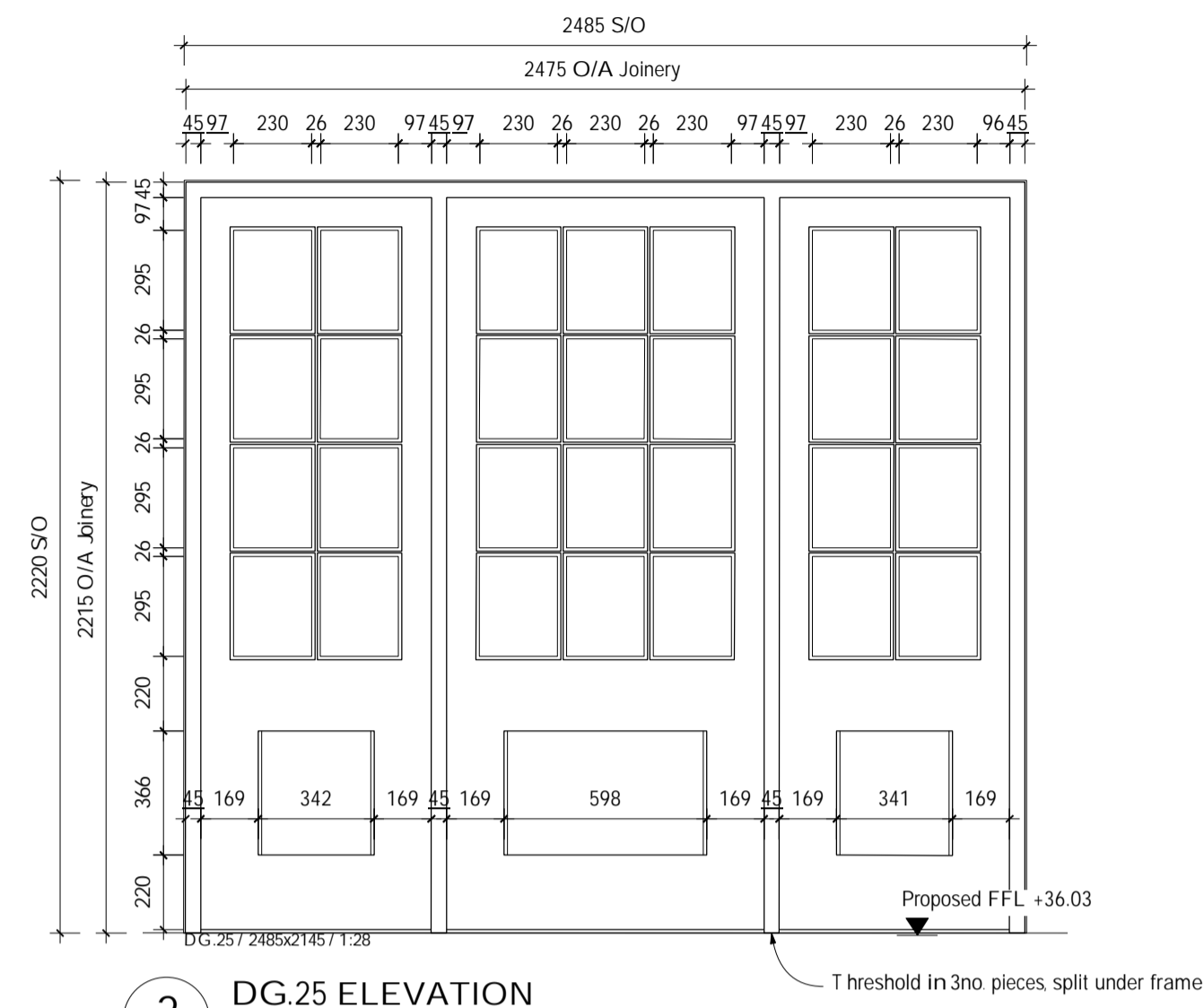


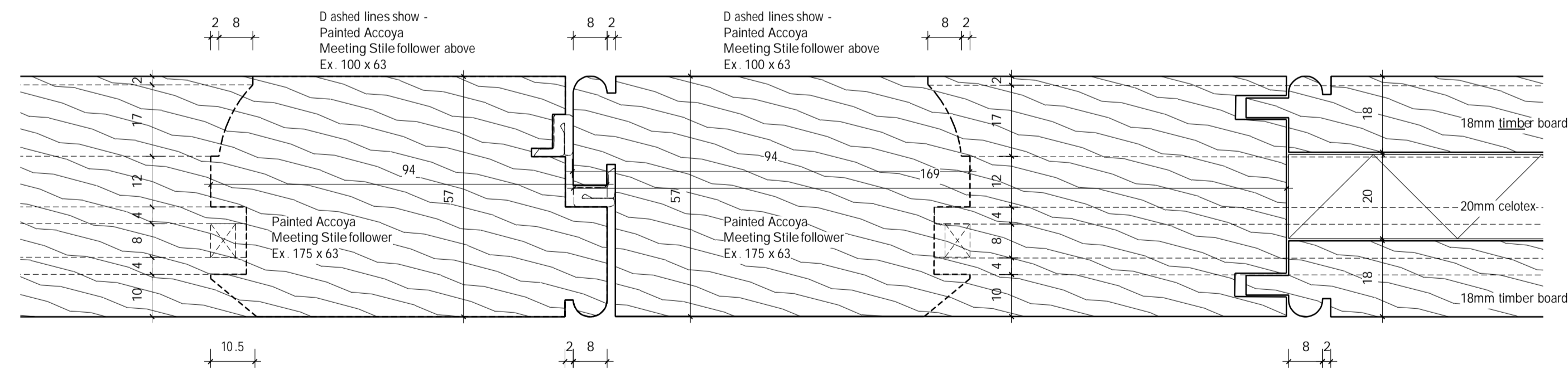
1 EXTERNAL DOOR DETAIL
Full Scale 1:1



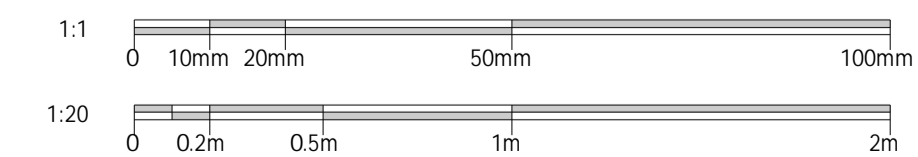
3 DG.24 ELEVATION
1:10



2 DG.25 ELEVATION
1:10



4 MEETING STILE DETAIL
Full Scale 1:1



Hoare, Ridge & Morris
Architects

project The Pound Higham

drawing title EXTERNAL GLAZED DOORS Joinery Details

scale 1:1/20 at A1

status TENDER

drawing no. 177.404