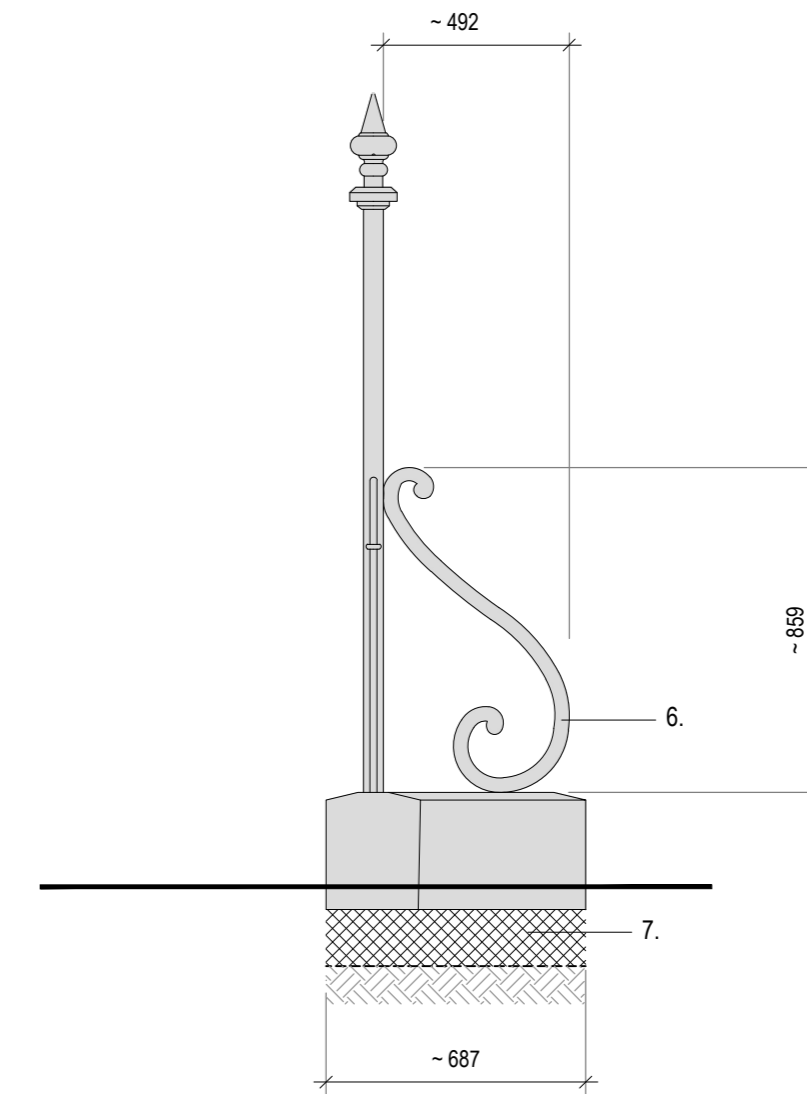


**'F2' - PROPOSED FENCING (to match existing 'F1')**  
SCALE 1:20 (TYPICAL FRONT ELEVATION)



**'F2' - PROPOSED FENCING (to match existing 'F1')**  
SCALE 1:20 (TYPICAL DETAIL)

1. Horizontal top rail
2. Vertical round posts with finial
3. Intermediate vertical round post with finial
4. Decorative infill panel with finial
5. Natural stone plinth
6. Intermediate support bracket
7. Concrete foundation
8. Vertical bar posts to be fixed into pre drilled holes in stone plinth

NOTE :

**Existing Railing 'F1'**

- Refer to Conservation Architects specification for repairs.

**Proposed railings 'F2'**

- Proposed railing to match existing railings 'F1' by Palace Place.
- Final dimensions to be confirmed following final site measure by fabricator and production of cutting schedules

NOTES

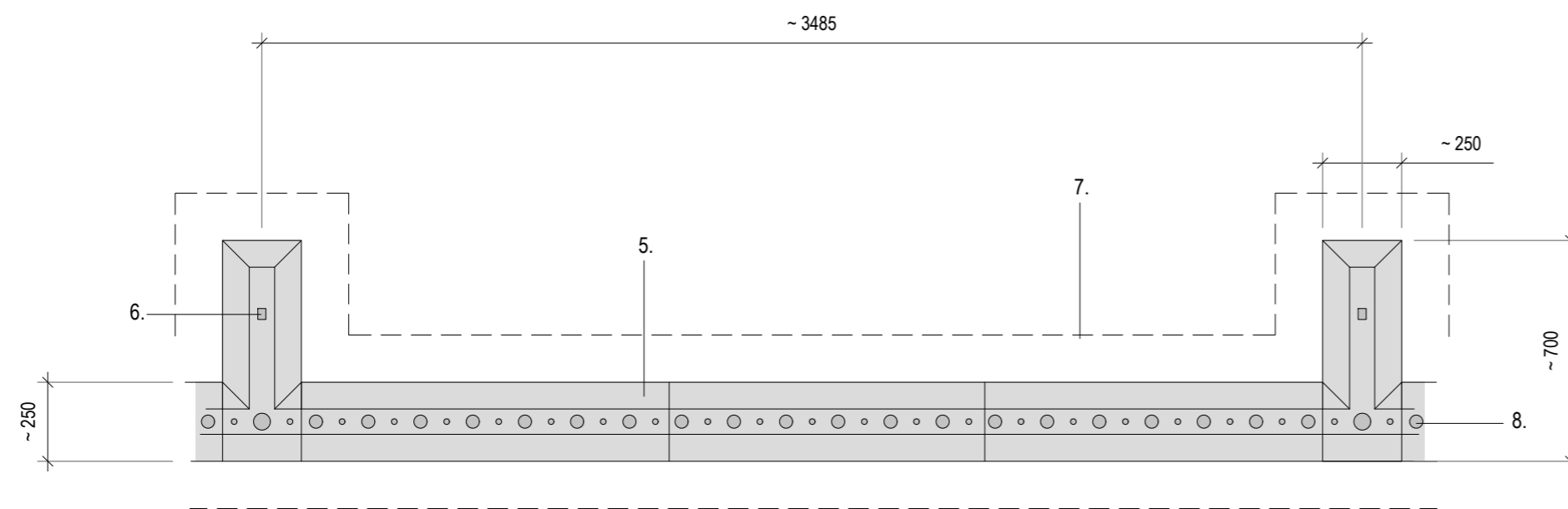
This drawing is Copyright and shall not be produced nor used for any other purpose without the written permission of the Landscape Architects.

Do not scale from this drawing.

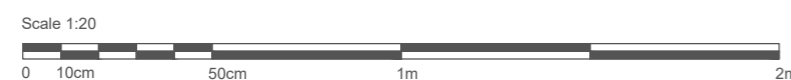
The Contractor is responsible for checking all dimensions on site and report any discrepancies, errors or omissions to the Landscape Architects immediately.

The Contractor shall ensure that all goods, materials and workmanship conform with current British Agreement Certificates, British Standards and Building Regulations, and ensure that all works are executed in full compliance with all current Codes of Practice and Regulations in respect of Health & Safety.

Rev	Date	By	Description	Ckd



**'F2' - PROPOSED FENCING (to match existing 'F1')**  
SCALE 1:20 (TYPICAL PLAN VIEW)





**ALLEN SCOTT  
LANDSCAPE  
ARCHITECTURE**

---

Drawing Status: N  
For Planning

Project: Royal Pavilion Gardens

Drawing Title: **Technical Details - Proposed Railing 'F2'**

Client: Brighton & Hove Museums

Scale: as shown @ A2	Job No.: 22-725
Date: 18.05.22	Drawing No.: 725-350