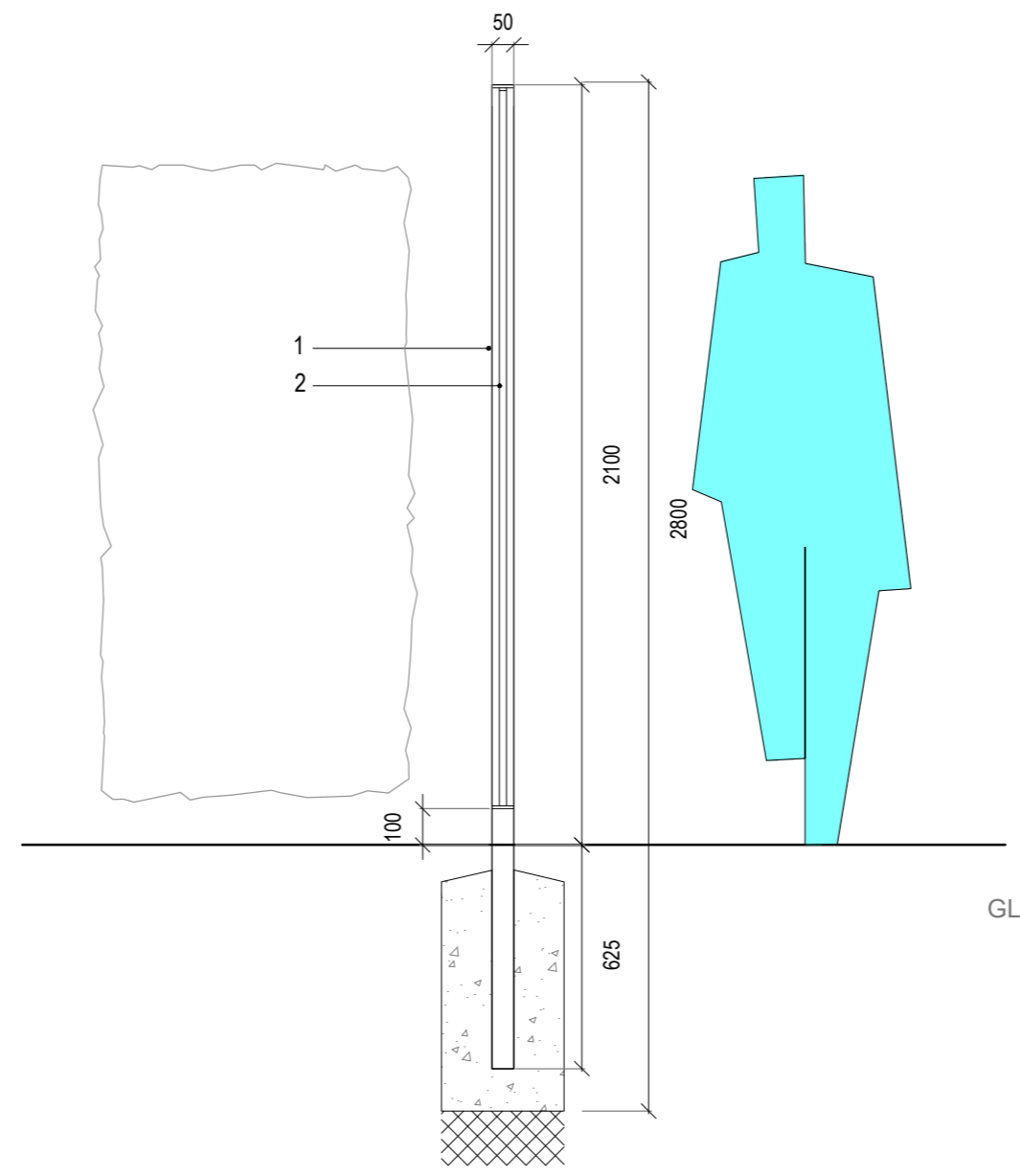
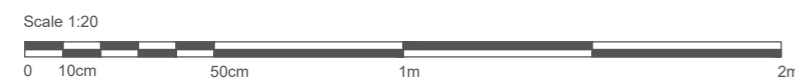


**F6 - VERTICAL BAR FENCING**  
Scale 1:20 (Typical Detail)

1. Flat top railing frame, 50 x 20mm RSF
2. Infill bars Ø20mm
3. Root fixed post, 50 x 10mm RSF
4. Socket counter sunk hex bolts
5. Corner post, 50 x 50mm RHS
6. Foundation



**F6 - VERTICAL BAR FENCING**  
Scale 1:20 (Typical Detail)

**Note:**

All fixings to be recessed, concealed and tamper proof.

All welds to be deburred and imperfections removed. All metal work to be hot dip galvanised, prepared, primed and painted to 'Invisible Green' (TBC)



Precedent: flat top railing modular system



Precedent: flat top railing

**NOTES**

This drawing is Copyright and shall not be produced nor used for any other purpose without the written permission of the Landscape Architects.

Do not scale from this drawing.

The Contractor is responsible for checking all dimensions on site and report any discrepancies, errors or omissions to the Landscape Architects immediately.

The Contractor shall ensure that all goods, materials and workmanship conform with current British Agreement Certificates, British Standards and Building Regulations, and ensure that all works are executed in full compliance with all current Codes of Practice and Regulations in respect of Health & Safety.

Rev	Date	By	Description	Ckd



Drawing Status		N 4
For Planning		
Project: Royal Pavilion Gardens		
Drawing Title: Technical Details - Proposed Fence 'F6'		
Client: Brighton & Hove Museums		
Scale: As Shown @ A2	Job No.: 22-725	
Date: 18.05.22	Drawing No.: 725-354	