



# Technical information

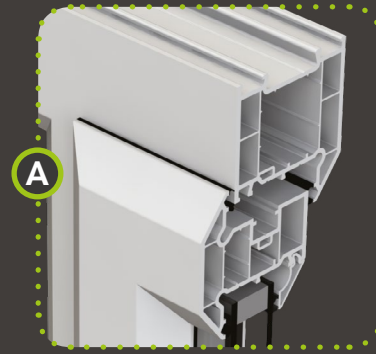
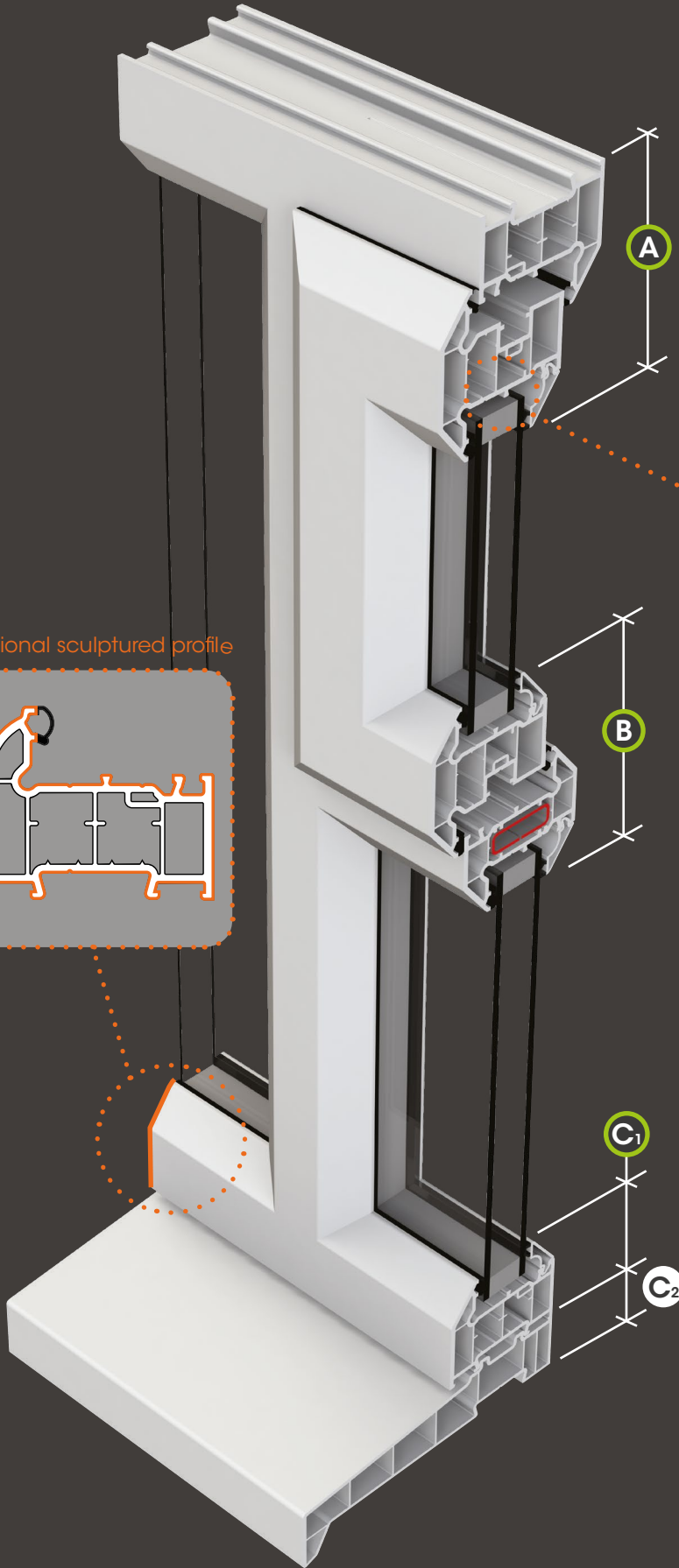
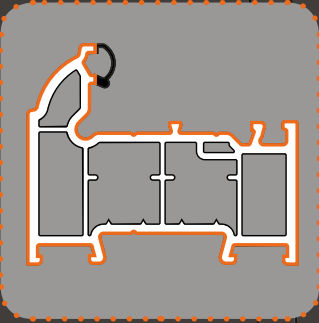
For Liniar casement windows



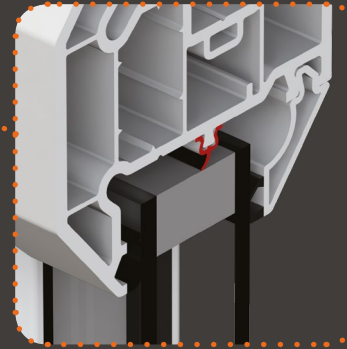
# Casement Window

Vertical Cross Section - Outward opening, internally beaded\*

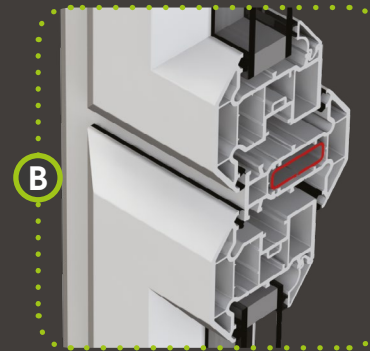
Optional sculptured profile



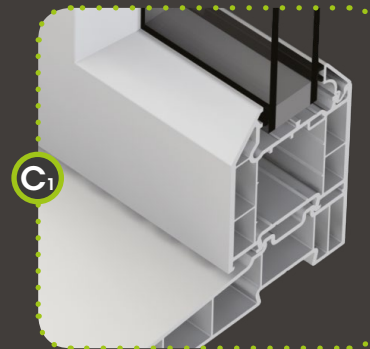
Optional large frame



Optional glazing filippier



Sash next to sash



Optional large frame

\* externally beaded options are also available and feature the same sightlines

## Casement Window

- Sculptured and chamfered suites
- 28mm double and 36mm/40mm triple glazing
- 4 chambered multi-wall profiles
- U-values from 1.2 (DGU) and 0.9 (TGU)
- Patented co-ex gasket

## Accreditations



PAS24



BS EN 12608



ISO 9001



BS EN 6375

## Colour Options



White or White Foil



Cream or Cream Foil



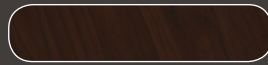
Chartwell Green



Irish Oak



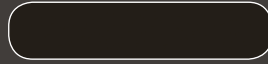
Golden Oak



Rosewood



7016 Grey



Black

Additional colours are available to order as specials.  
The colours shown in this brochure give an indication only.



Product	Dim. <b>A</b>
Small frame & sash L#W011 & L#W031	104mm
Large frame & sash L#W016 & L#W031	124mm

Product	Dim. <b>B</b>
Transom & sash L#W022 & L#W031	114mm
Int. transom & sash L#W027 & L#W031	134mm
Transom & 2 x sash L#W021 & 2 x L#W031	161mm
Int. transom & 2 x sash L#W026 & 2 x L#W031	181mm

Product	Dim. <b>C<sub>1</sub></b>
Small frame L#W011	57mm
Large frame L#W016	77mm

Product	Dim. <b>C<sub>2</sub></b>
85, 150, 165, 180 cills LSL085, LSL150, LCL165, LSL180	30mm

# Replace notation with (S) for sculptured suite and (C) for chamfered suite.

## Liniar specification guide

The Liniar Specification Guide is an A4-size, 234-page, full colour guide to specifying energy efficient PVCu windows and doors.

Covering the full range of lead-free Liniar products including casement windows, the Specification Guide includes full product charts, U-values and dimensions, accreditations, safety information and a range of case studies.

To view an online copy of the Liniar Specification Guide and to order your free copy visit :

[www.liniar.co.uk/specification-guide](http://www.liniar.co.uk/specification-guide)

### Liniar

Flamstead House  
Denby Hall Business Park  
Denby  
Derbyshire DE5 8JX

Tel: +44 (0)1332 883900  
Fax: +44 (0)1332 883901  
Email: [sales@liniar.co.uk](mailto:sales@liniar.co.uk)

[www.liniar.co.uk](http://www.liniar.co.uk)

