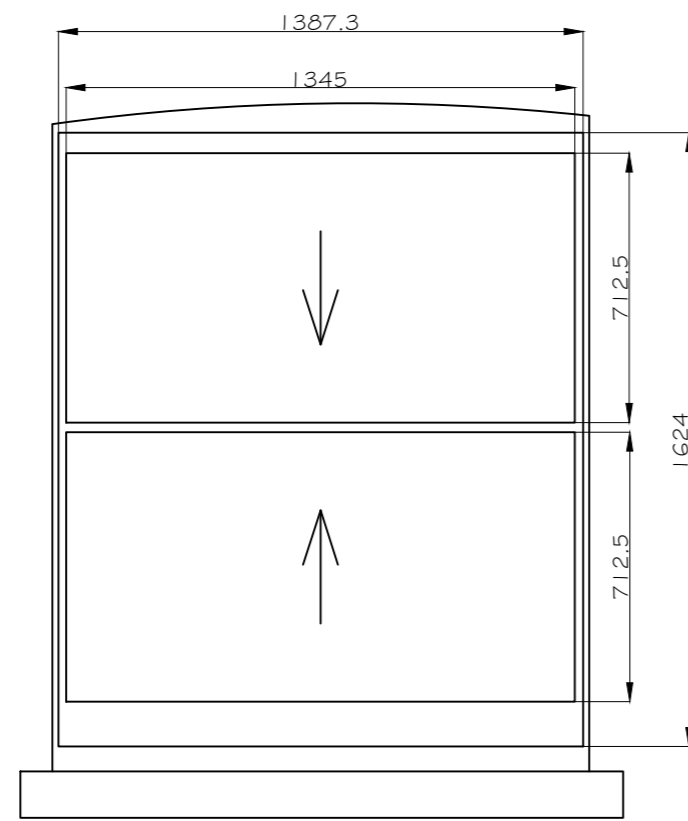
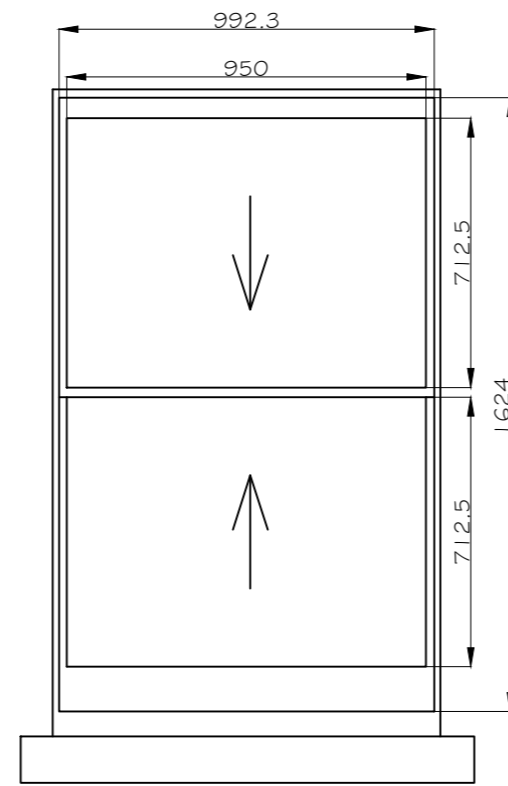


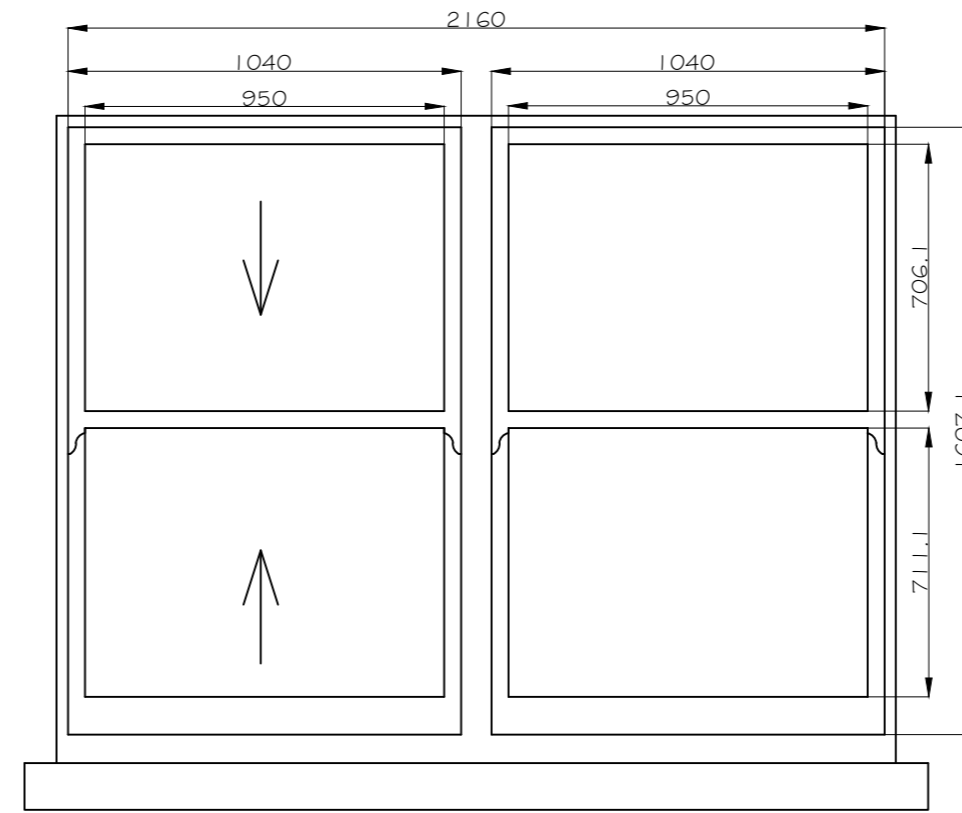
Type R



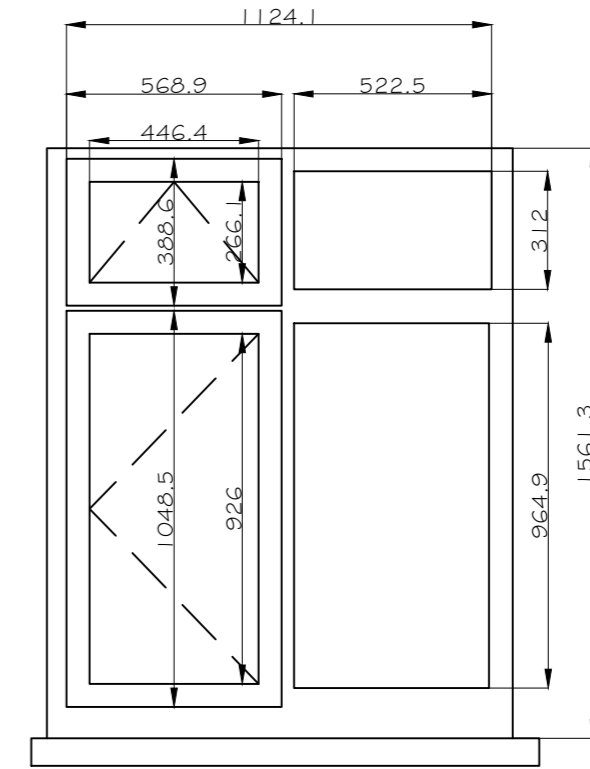
Type S



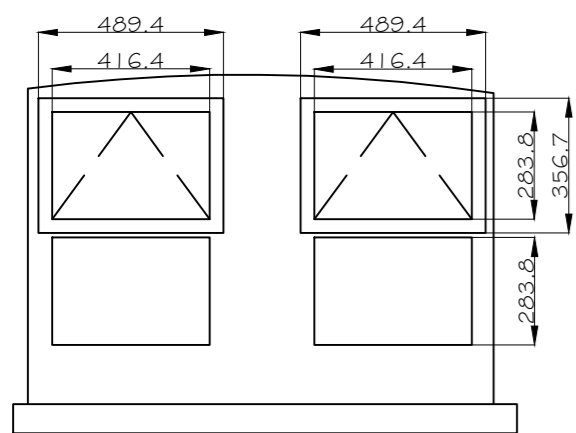
Type T



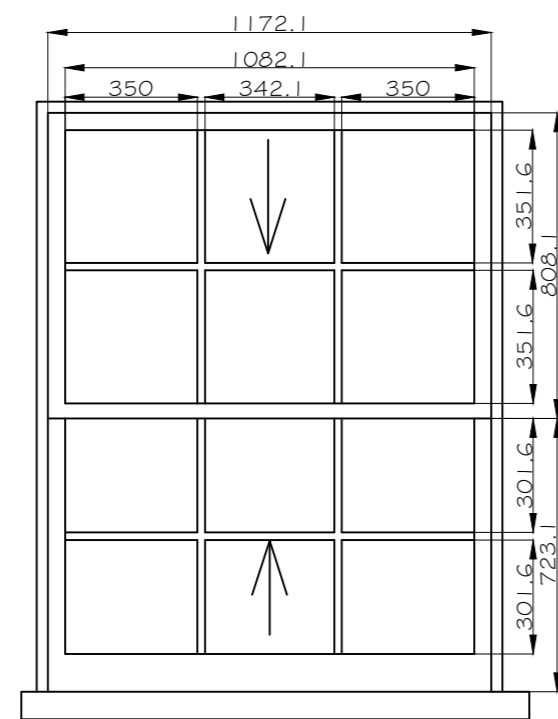
Type U



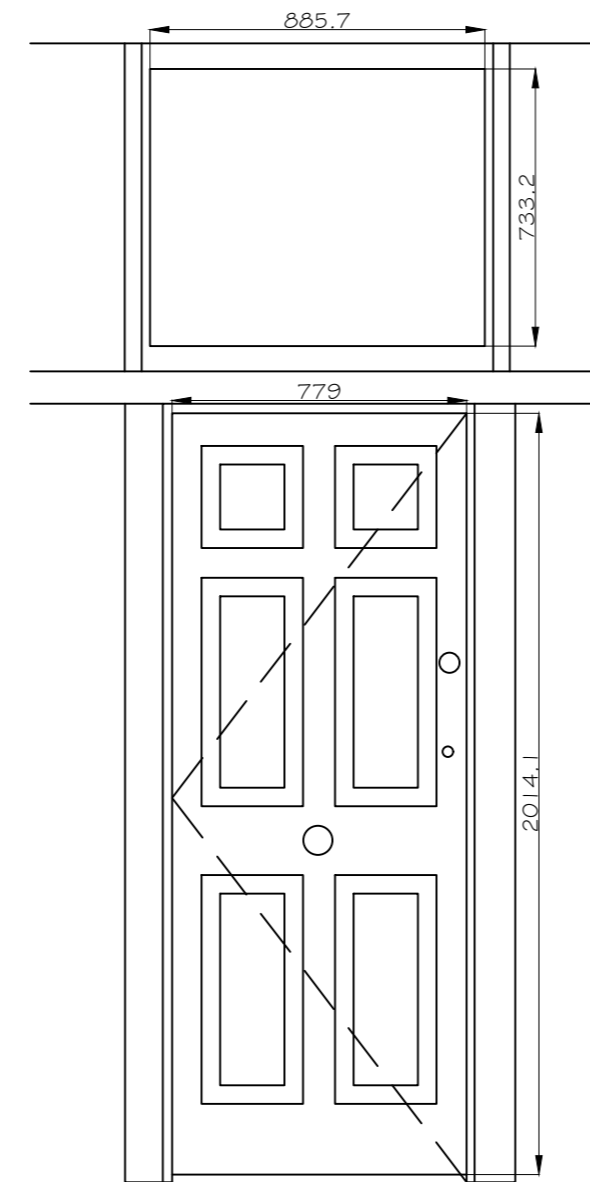
Type V



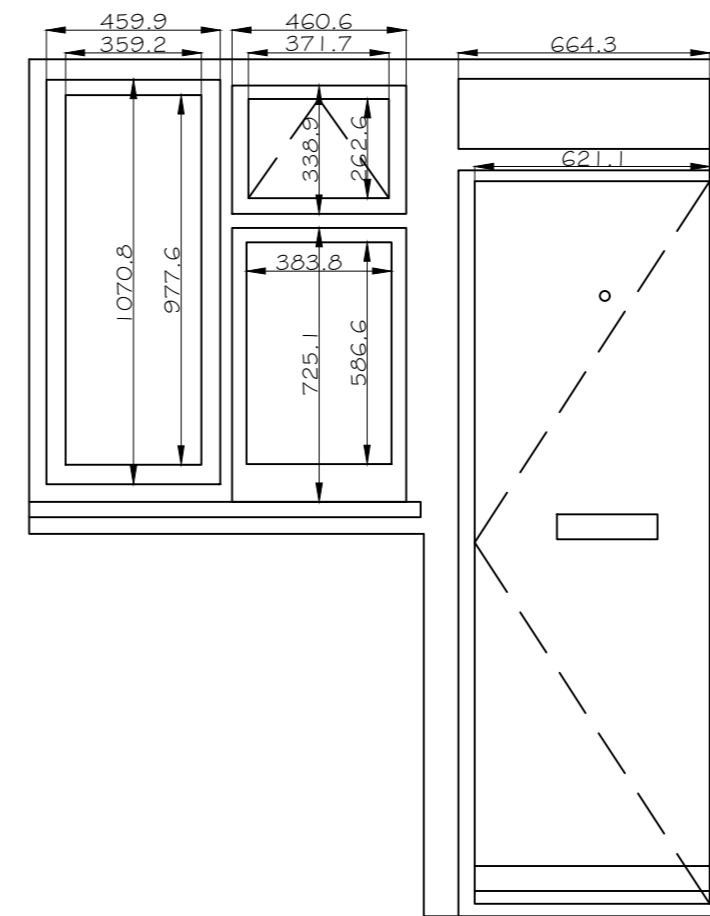
Type W



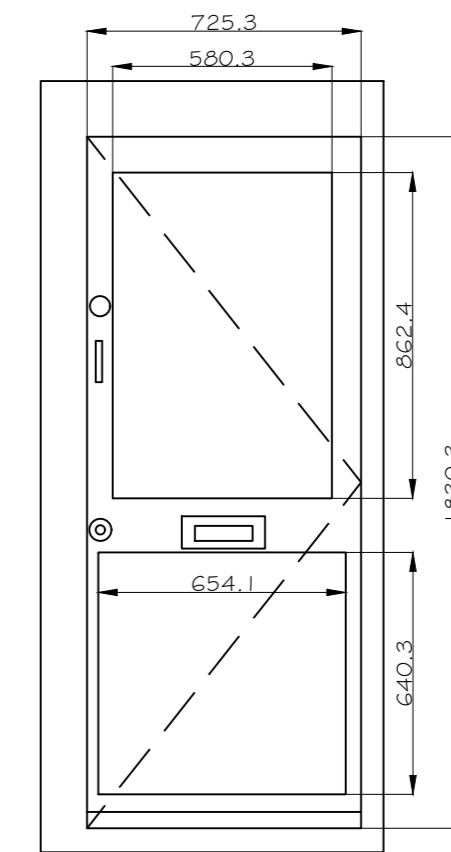
Type X



Door 1



Door 2



Door 3



All dimensions and levels are to be checked on site by the contractor prior to preparation of shop drawings and commencement of works on site.

Do not scale from this drawing.

This drawing and the copyrights and patents therein are the property of ig9 and may not be used or reproduced without prior written consent.

This drawing is to be read in conjunction with all relevant consultant's and/or specialist's drawings/documents and any discrepancies or variations are to be notified to ig9 Limited before the affected work commences.

Window types V & W - single glazed timber casement windows.

Window types R, S, T, U & X - single glazed timber sliding sash windows.

Door 1 - Timber door
Door 2 - Timber door and casement windows combination
Door 3 - Timber glazed door

Rev	Date	Description
P1	Sept 2023	Planning Application

ig9 11 Riverside Building
Trinity Buoy Wharf
64 Orchard Place
London
E14 0FF
t. 0207 538 4646
e. info@ig9.co.uk
w. www.ig9.co.uk

Building Surveying Project Management Cost Consultants
Consulting Engineers Principal Designer

Client:
Equans Regeneration Limited

Project:
167 Gloucester Terrace
London
W2 GDx

Title:
Existing Windows and Doors
Existing Windows Types R-X
Existing Doors 1-3

Scale:
1:20@A2

Drawn By:
LT

Date:
September 2023

Checked By:
JB

Drawing No.
2223-102330-167GT-0G

Revision:
P1