

All dimensions and levels are to be checked on site by the contractor prior to preparation of shop drawings and commencement of works on site.

Do not scale from this drawing.

This drawing and the copyrights and patents therein are the property of ig9 and may not be used or reproduced without prior written consent.

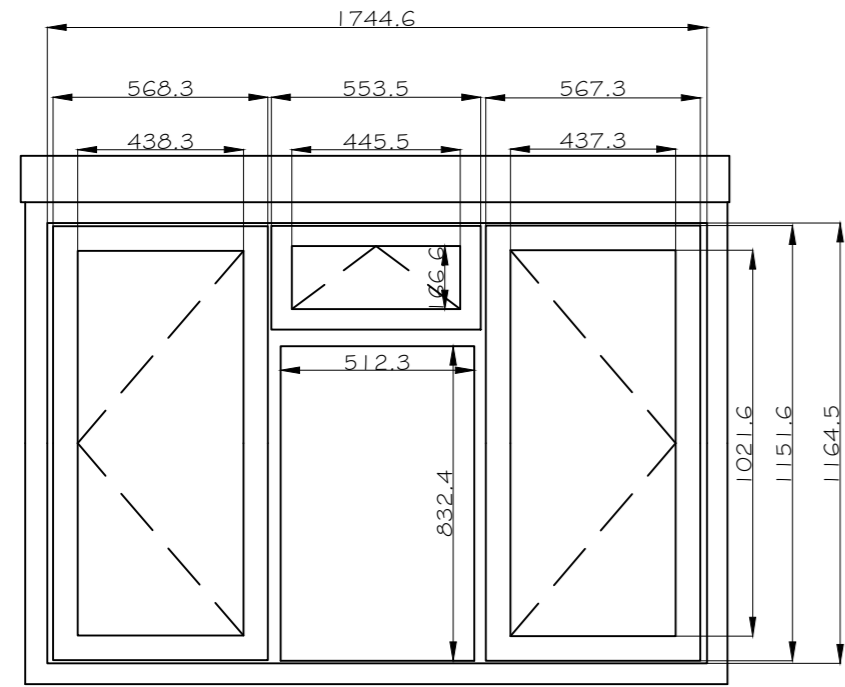
This drawing is to be read in conjunction with all relevant consultant's and/or specialist's drawings/documents and any discrepancies or variations are to be notified to ig9 Limited before the affected work commences.

Window types A, B & E - single glazed timber casement windows.

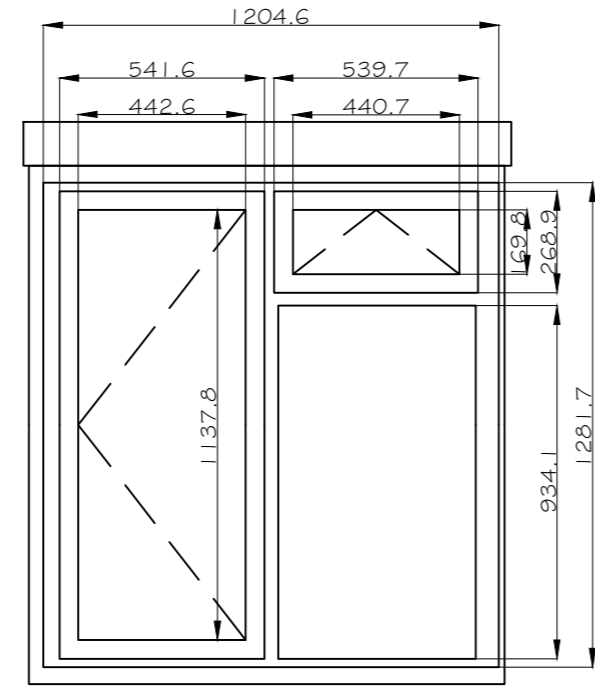
Window type F - single glazed timber casement windows within a bay window.

Window types C & G - single glazed timber sliding sash windows.

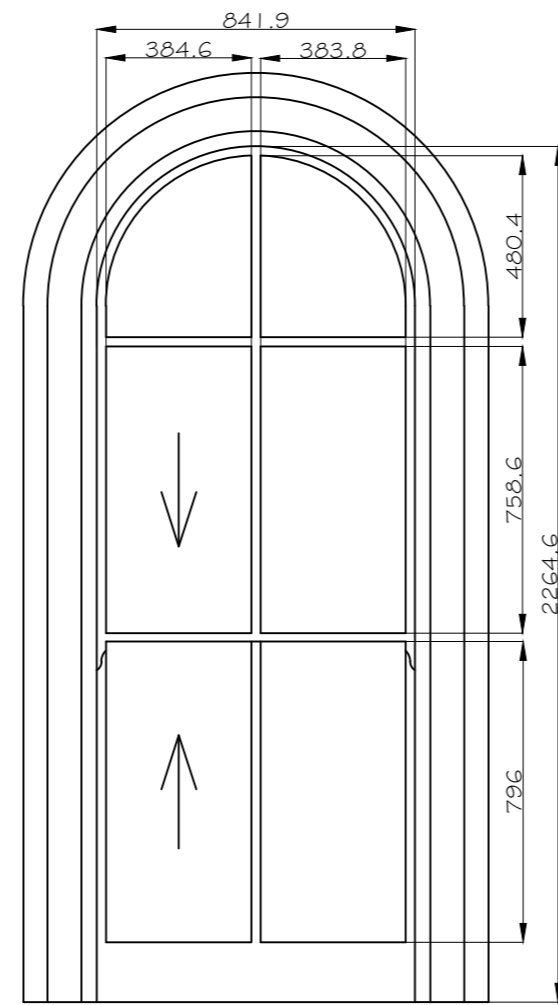
Window types D & H - single glazed timber sliding sash windows within a bay window.



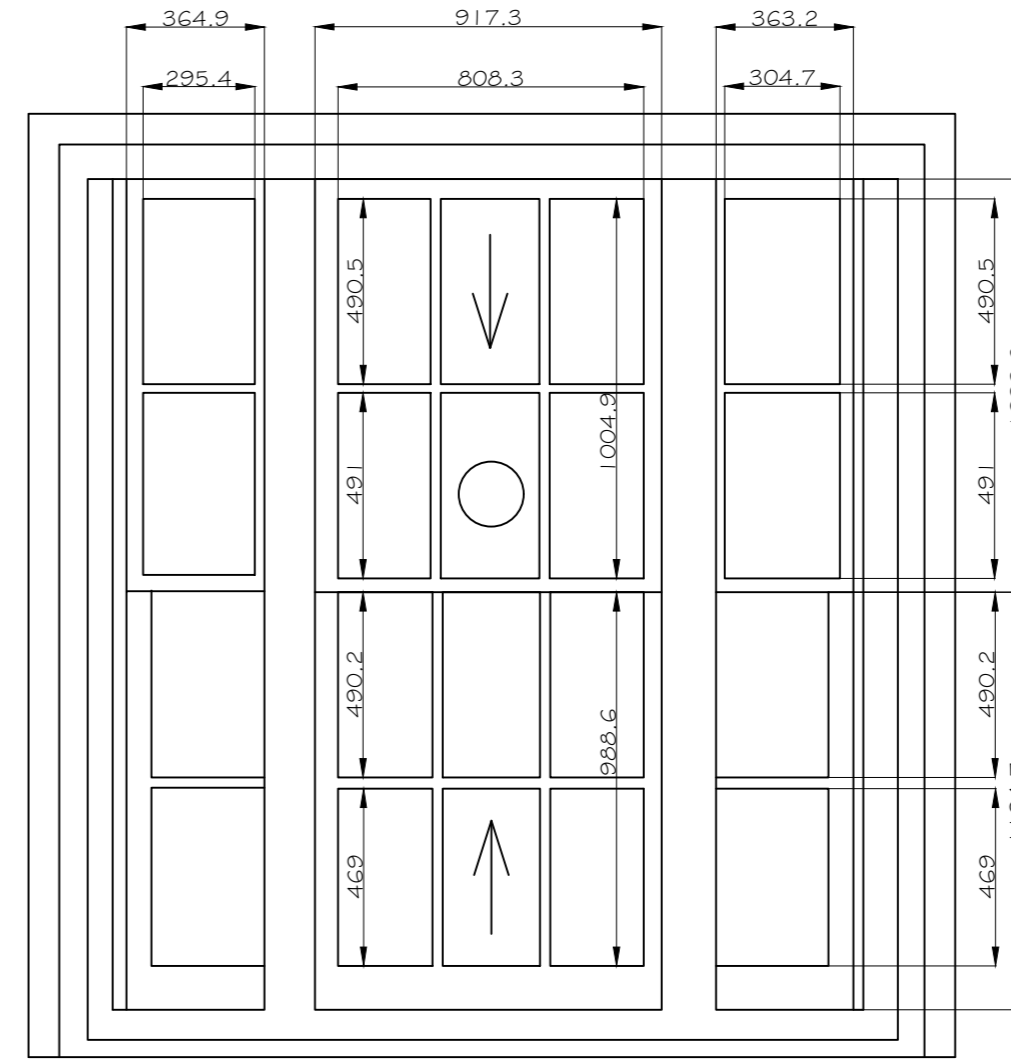
Type A



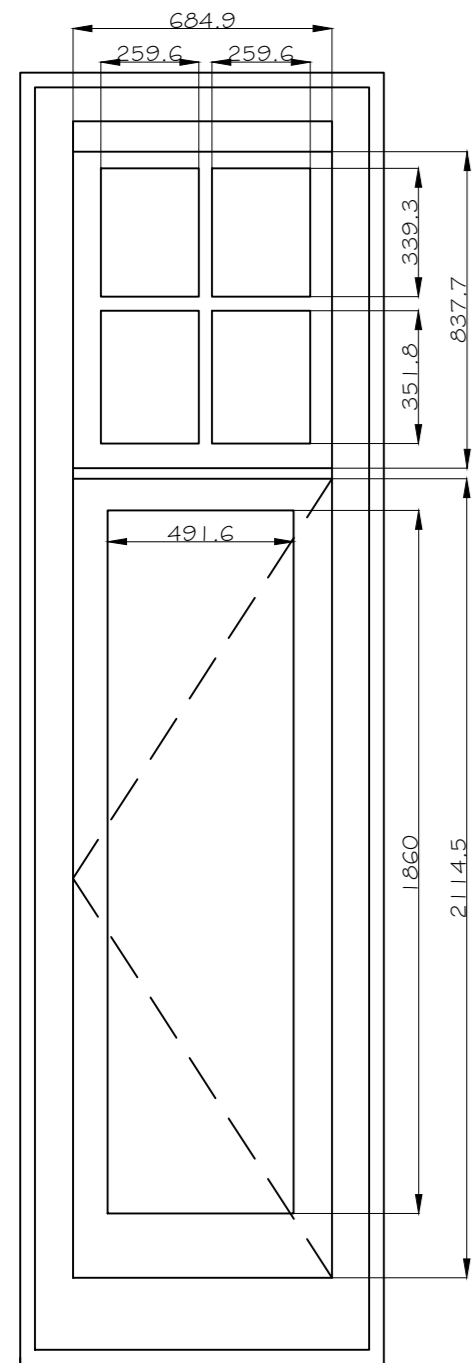
Type B



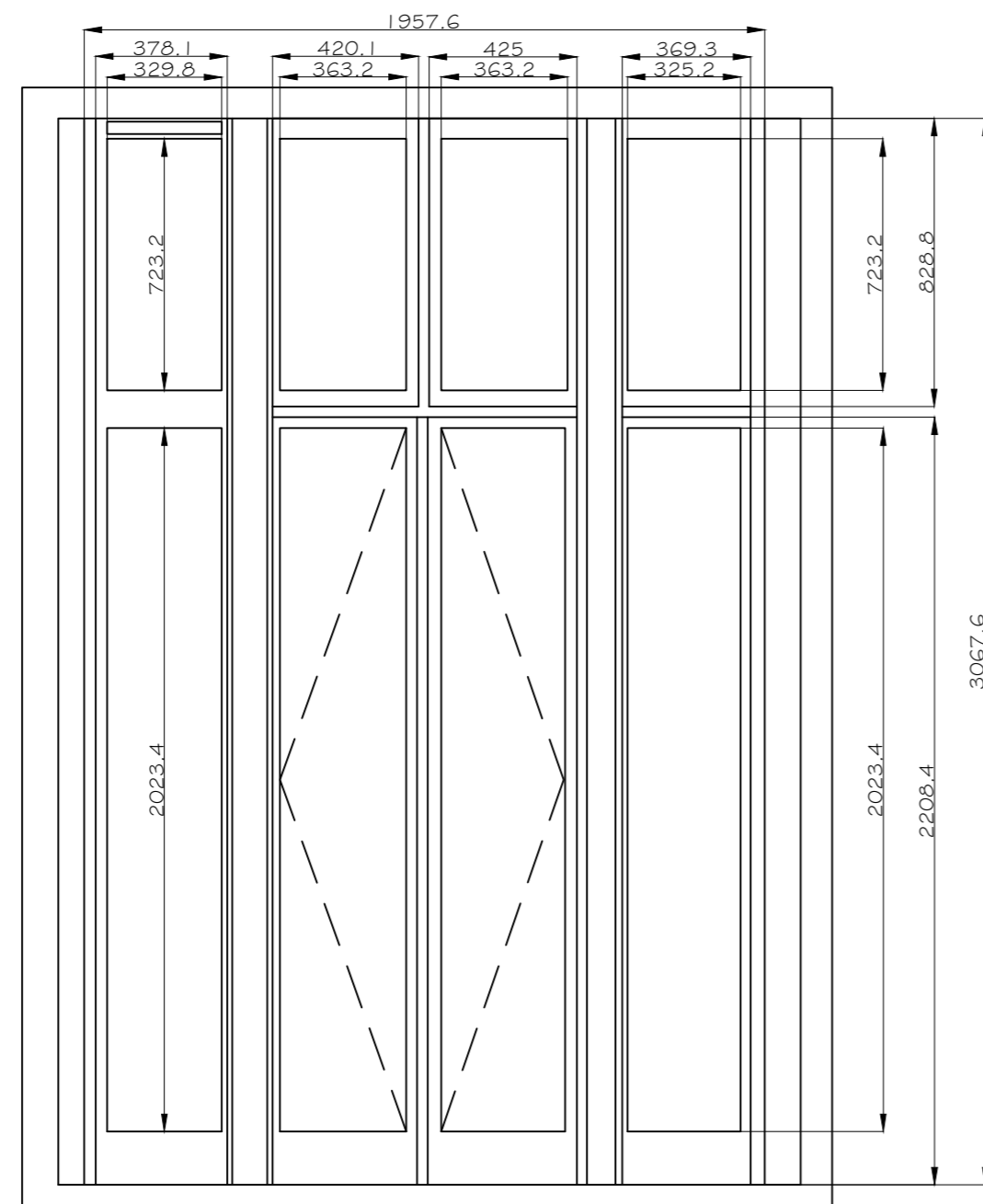
Type C



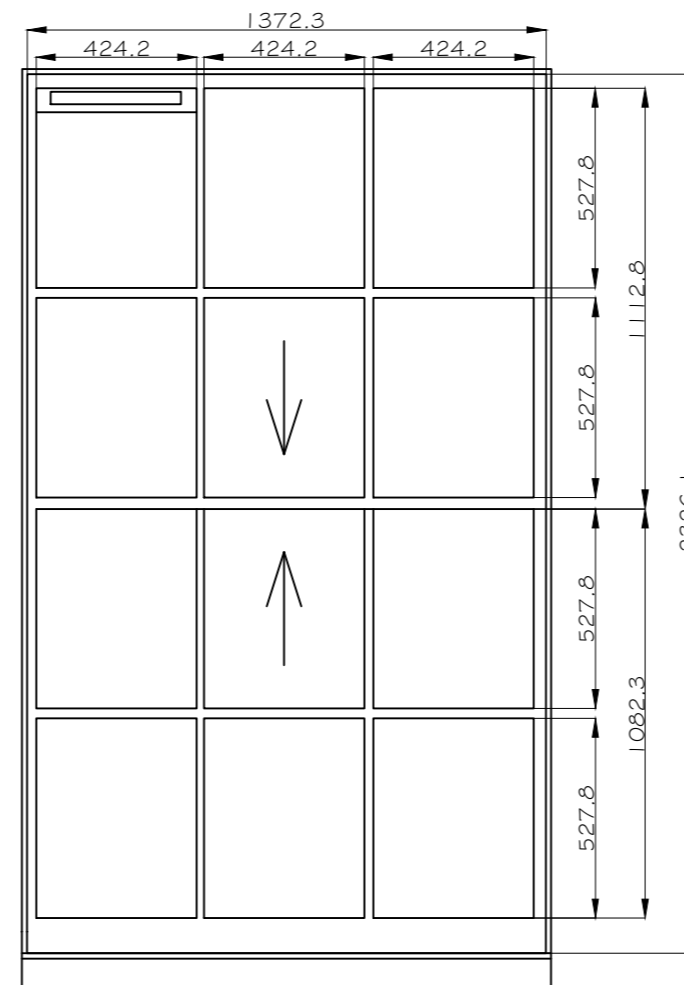
Type D



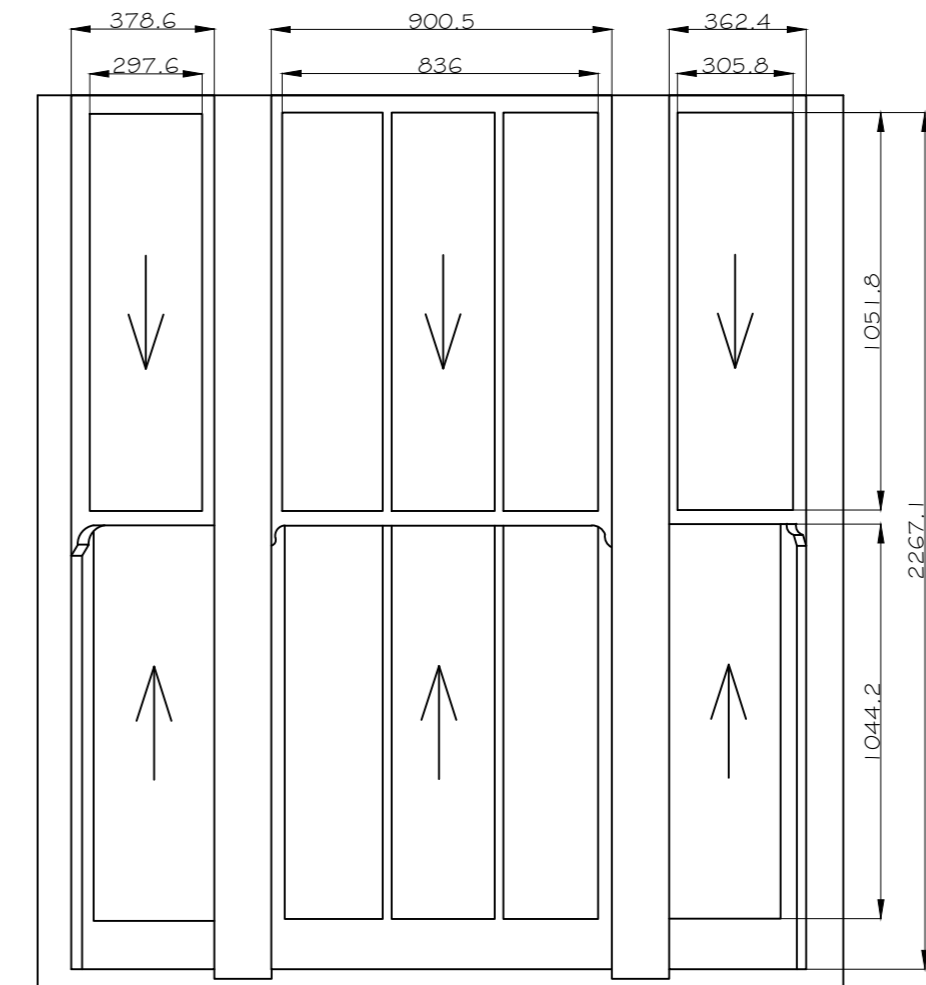
Type E



Type F



Type G



Type H



| | | |
|-----|------------|----------------------|
| PI | Sept. 2023 | Planning Application |
| Rev | Date | Description |

ig9 11 Riverside Building
Trinity Buoy Wharf
64 Orchard Place
London
E14 0FF
t. 0207 538 4646
e. info@ig9.co.uk
w. www.ig9.co.uk

Building Surveying Project Management Cost Consultants
Consulting Engineers Principal Designer

Client:
Equans Regeneration Limited

Project:
167 Gloucester Terrace
London
W2 6DX

Title:
Existing Windows and Doors
Existing Windows Types A-H

Scale:
1:20@A2

Drawn By:
LT

Date:
September 2023

Checked By:
JB

Drawing No.
2223-102330-167GT-04

Revision:
PI