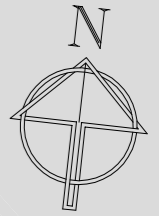
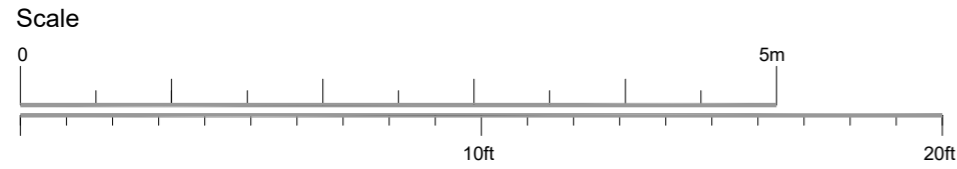


Parking

Plan

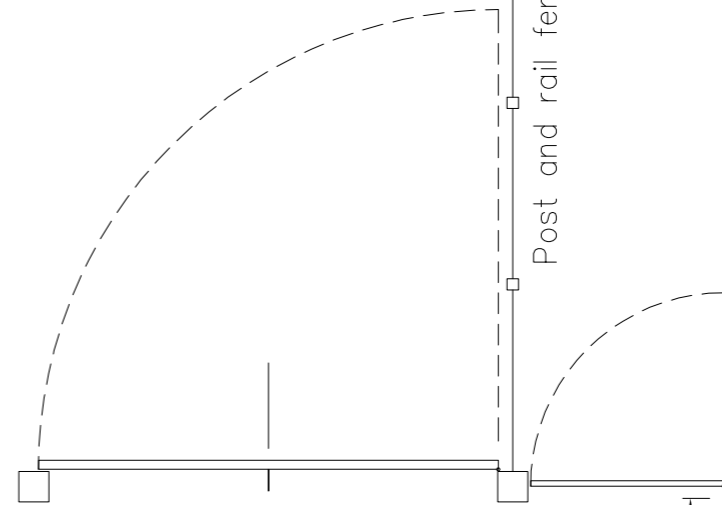
Scale 1:50



No. 4 Park St



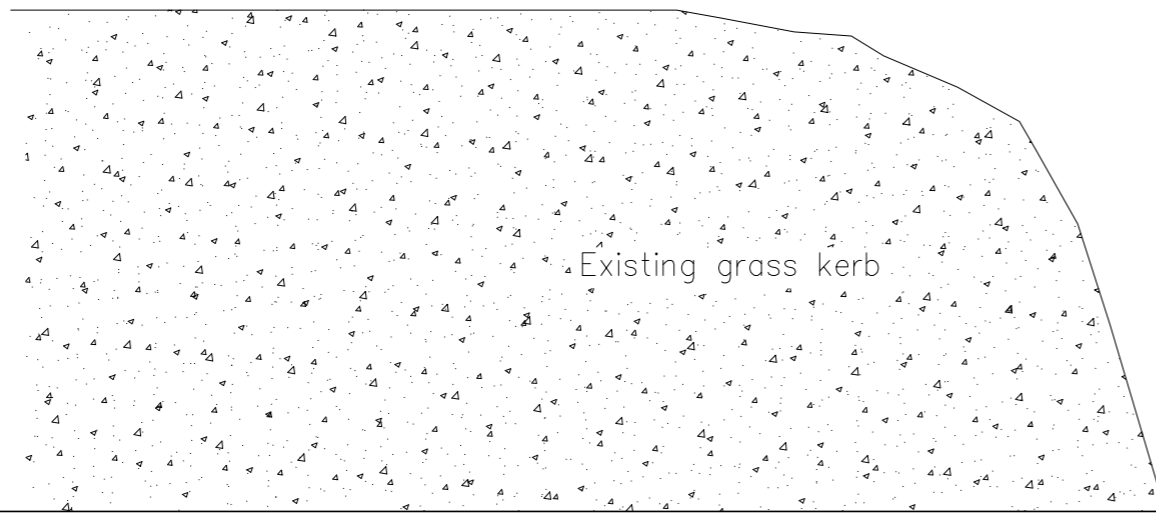
Drystone wall



Existing gates

Post and rail fence

0.52



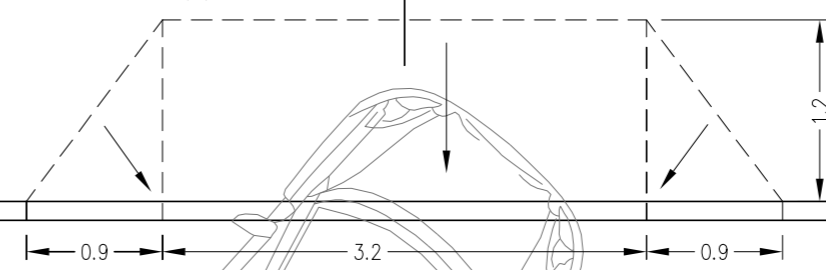
Existing grass kerb



Asphalt pavement

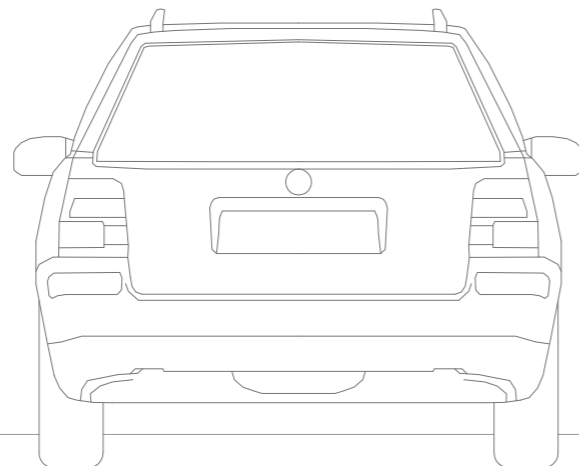


New dropped kerb



Elevation

Scale 1:25



Dropped kerb

Park Street

Title: Detail Plan			4 Park Street Fairford Glos. GL7 4JJ
Drg. No.: PS 1-3	Filename: PS-1	Scale: 1:50 /25@A3	
Issued for: Planning	Date: 16.10.23	Client: The Ernest Cook Trust	
Drawn by: Charles Board	Journeyman Draughting + Design 33 Lyefield Rd. West Cheltenham Glos. GL53 8EZ		
T: 01242 524206 M: 07811 739727 E: charlesboard@hotmail.co.uk			