

DETAILS WINDOWS AND FRENCH DOORS

PROJECT

57 OSBORNE ROAD - E7 0PJ

PHOEBE GREIG & MISA OGURA



RICCARDO
VICARELLI
ARCHITECTS



Reference 57 Osborne Road

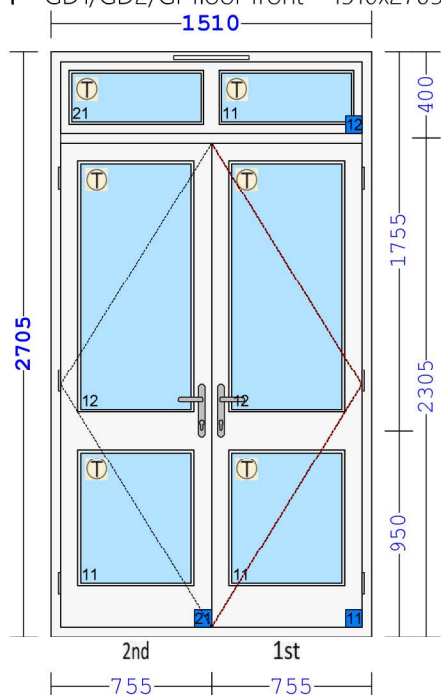
Quote ref: 12880

Quote date: 23/10/2023

Validity 30 days

REF. SIZE (WxH) QTY DESCRIPTION

1 GD1/GD2/Gr floor front 1510x2705mm



2 PRODUCT VIEWED FROM

INSIDE

Conservation Casement Door

Accoya/Eng Redwood Frame/Sapele Cill

4T Clear / 8 / 4T Clear Low E

Gas - Krypton

Spacer - Black

Satin Stainless 102mm Steel Hinges - Radius Corners

95mm FD Hurricane Master Lock - for slave espag

(1)

95mm FD Hurricane Slave Lock (21)

40-40 Polished Chrome Cylinder

Straight Lever Handle - Polished Chrome

Trickle Vent: Frame - Titon 4600EA - 364mm -

White (12)

Profile - T/L Ovolo

White Weatherseal

35mm Cill Extension

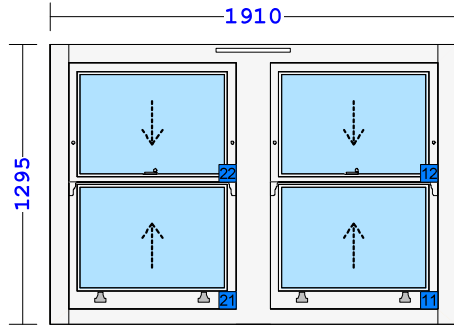
Paint Outside & Inside: Factory Spray Finish

Paint Outside & Inside: White (RAL 9016)

REF.

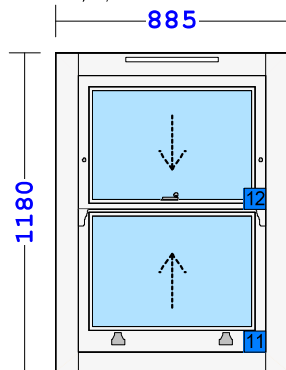
SIZE (WxH) QTY DESCRIPTION

2 GW1/Gr floor fornt 1910x1295mm

1 PRODUCT VIEWED FROM
INSIDE

Conservation Box Sash Window
 Accoya/Eng Redwood Frame/Sapele Cill
 Glass: 4 Clear / 8 / 4 Clear Low E
 Gas - Krypton
 Spacer - Black
 Hardware: Polished Chrome Hardware Kit -
 NHK-CL-PC
 Polished Chrome Pulleys
 Polished Chrome Narrow Hook Fastener - Locking
 with key
 Polished Chrome Curved Neck Sash Lift
 Polished Chrome Secure Stop
 Horn Type: No Horns (11/21)
 Horn Type: Horn Detail A - Ogee (12/22)
 Trickle Vent: Frame - Titon 4600EA - 364mm -
 White (22)
 Profile - Ovolo
 White Weatherseal
 Window Board Groove - 25mm
 Paint Outside & Inside: Factory Spray Finish
 Paint Outside & Inside: White (RAL 9016)

3 GF1/2/1st floor front 885x1180mm

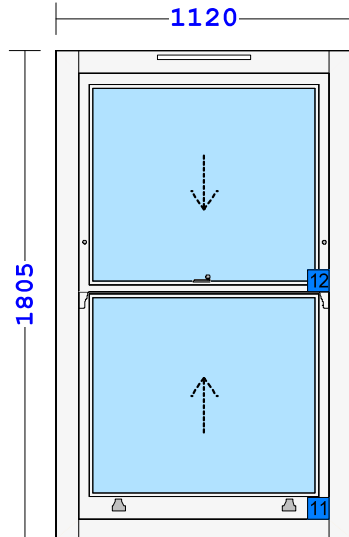
2 PRODUCT VIEWED FROM
INSIDE

Conservation Box Sash Window
 Accoya/Eng Redwood Frame/Sapele Cill
 Glass: 4 Clear / 8 / 4 Clear Low E
 Gas - Krypton
 Spacer - Black
 Hardware: Polished Chrome Hardware Kit -
 NHK-CL-PC
 Polished Chrome Pulleys
 Polished Chrome Narrow Hook Fastener - Locking
 with key
 Polished Chrome Curved Neck Sash Lift
 Polished Chrome Secure Stop
 Horn Type: No Horns (11)
 Horn Type: Horn Detail A - Ogee (12)
 Trickle Vent: Frame - Titon 4600EA - 364mm -
 White (12)
 Profile - Ovolo
 White Weatherseal
 Window Board Groove - 25mm
 Paint Outside & Inside: Factory Spray Finish
 Paint Outside & Inside: White (RAL 9016)

REF.

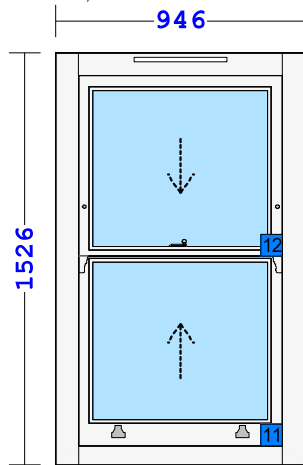
SIZE (WxH) QTY DESCRIPTION

4 GF3-5/1st floor front 1120x1805mm

3 PRODUCT VIEWED FROM
INSIDE

Conservation Box Sash Window
 Accoya/Eng Redwood Frame/Sapele Cill
 Glass: 4 Clear / 8 / 4 Clear Low E
 Gas - Krypton
 Spacer - Black
 Hardware: Polished Chrome Hardware Kit -
 NHK-CL-PC
 Polished Chrome Pulleys
 Polished Chrome Narrow Hook Fastener - Locking
 with key
 Polished Chrome Curved Neck Sash Lift
 Polished Chrome Secure Stop
 Horn Type: No Horns (11)
 Horn Type: Horn Detail A - Ogee (12)
 Trickle Vent: Frame - Titon 4600EA - 364mm -
 White (12)
 Profile - Ovolo
 White Weatherseal
 Window Board Groove - 25mm
 Paint Outside & Inside: Factory Spray Finish
 Paint Outside & Inside: White (RAL 9016)

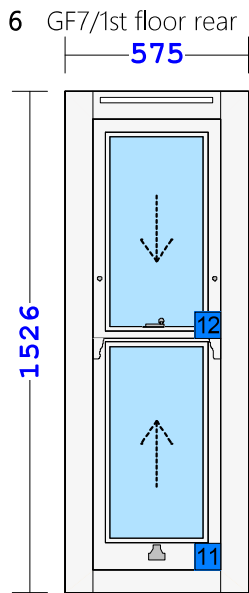
5 GF6/1st floor rear 946x1526mm

1 PRODUCT VIEWED FROM
INSIDE

Conservation Box Sash Window
 Accoya/Eng Redwood Frame/Sapele Cill
 Glass: 4 Clear / 8 / 4 Clear Low E
 Gas - Krypton
 Spacer - Black
 Hardware: Polished Chrome Hardware Kit -
 NHK-CL-PC
 Polished Chrome Pulleys
 Polished Chrome Narrow Hook Fastener - Locking
 with key
 Polished Chrome Curved Neck Sash Lift
 Polished Chrome Secure Stop
 Horn Type: No Horns (11)
 Horn Type: Horn Detail A - Ogee (12)
 Trickle Vent: Frame - Titon 4600EA - 364mm -
 White (12)
 Profile - Ovolo
 White Weatherseal
 Window Board Groove - 25mm
 Paint Outside & Inside: Factory Spray Finish
 Paint Outside & Inside: White (RAL 9016)

REF.

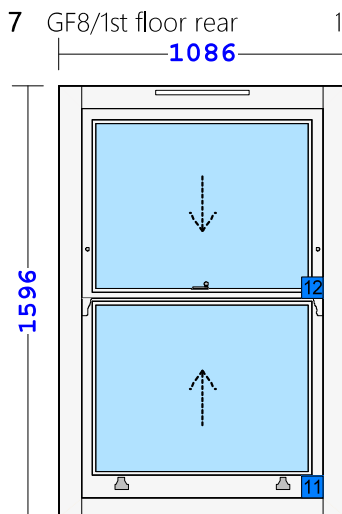
SIZE (WxH) QTY DESCRIPTION



575x1526mm

1 PRODUCT VIEWED FROM
INSIDE

Conservation Box Sash Window
 Accoya/Eng Redwood Frame/Sapele Cill
 Glass: 4 Clear / 8 / 4 Clear Low E
 Gas - Krypton
 Spacer - Black
 Hardware: Polished Chrome Hardware Kit -
 NHK-CL-PC
 Polished Chrome Pulleys
 Polished Chrome Narrow Hook Fastener - Locking
 with key
 Polished Chrome Curved Neck Sash Lift
 Polished Chrome Secure Stop
 Horn Type: No Horns (11)
 Horn Type: Horn Detail A - Ogee (12)
 Trickle Vent: Frame - Titon 4600EA - 364mm -
 White (12)
 Profile - Ovolo
 White Weatherseal
 Window Board Groove - 25mm
 Paint Outside & Inside: Factory Spray Finish
 Paint Outside & Inside: White (RAL 9016)



1086x1596mm

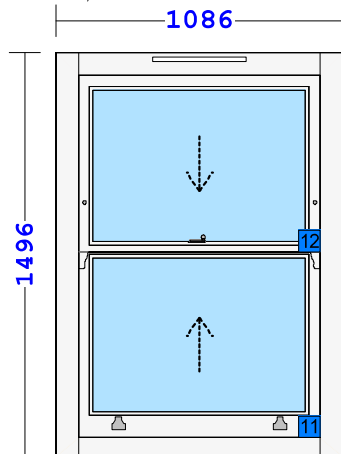
1 PRODUCT VIEWED FROM
INSIDE

Conservation Box Sash Window
 Accoya/Eng Redwood Frame/Sapele Cill
 Glass: 4 Clear / 8 / 4 Clear Low E
 Gas - Krypton
 Spacer - Black
 Hardware: Polished Chrome Hardware Kit -
 NHK-CL-PC
 Polished Chrome Pulleys
 Polished Chrome Narrow Hook Fastener - Locking
 with key
 Polished Chrome Curved Neck Sash Lift
 Polished Chrome Secure Stop
 Horn Type: No Horns (11)
 Horn Type: Horn Detail A - Ogee (12)
 Trickle Vent: Frame - Titon 4600EA - 364mm -
 White (12)
 Profile - Ovolo
 White Weatherseal
 Window Board Groove - 25mm
 Paint Outside & Inside: Factory Spray Finish
 Paint Outside & Inside: White (RAL 9016)

REF.

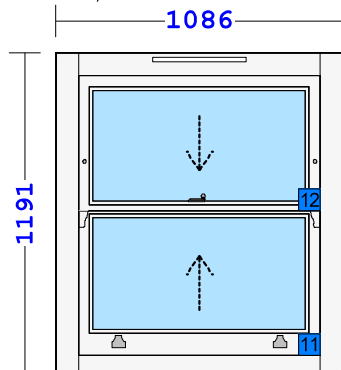
SIZE (WxH) QTY DESCRIPTION

8 GF9/1st floor rear 1086x1496mm

1 PRODUCT VIEWED FROM
INSIDE

Conservation Box Sash Window
 Accoya/Eng Redwood Frame/Sapele Cill
 Glass: 4 Clear / 8 / 4 Clear Low E
 Gas - Krypton
 Spacer - Black
 Hardware: Polished Chrome Hardware Kit -
 NHK-CL-PC
 Polished Chrome Pulleys
 Polished Chrome Narrow Hook Fastener - Locking
 with key
 Polished Chrome Curved Neck Sash Lift
 Polished Chrome Secure Stop
 Horn Type: No Horns (11)
 Horn Type: Horn Detail A - Ogee (12)
 Trickle Vent: Frame - Titon 4600EA - 364mm -
 White (12)
 Profile - Ovolo
 White Weatherseal
 Window Board Groove - 25mm
 Paint Outside & Inside: Factory Spray Finish
 Paint Outside & Inside: White (RAL 9016)

9 GF10/1st floor rear 1086x1191mm

1 PRODUCT VIEWED FROM
INSIDE

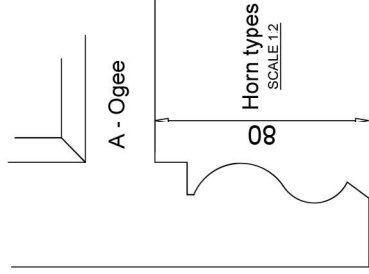
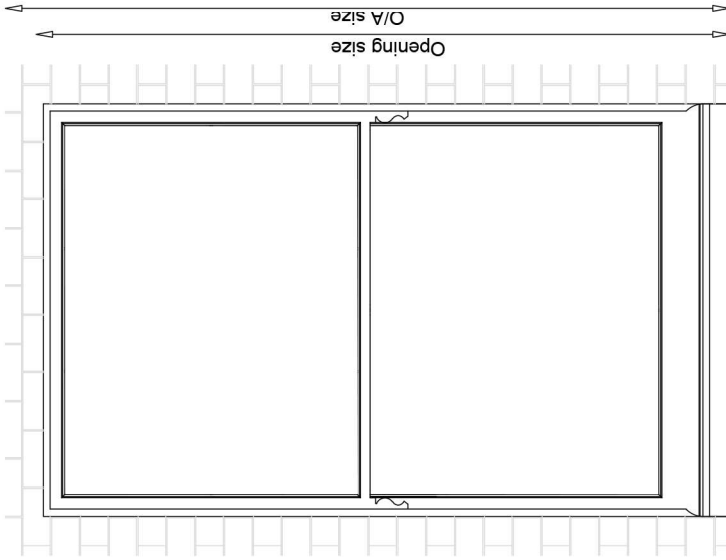
Conservation Box Sash Window
 Accoya/Eng Redwood Frame/Sapele Cill
 Glass: 4 Clear / 8 / 4 Clear Low E
 Gas - Krypton
 Spacer - Black
 Hardware: Polished Chrome Hardware Kit -
 NHK-CL-PC
 Polished Chrome Pulleys
 Polished Chrome Narrow Hook Fastener - Locking
 with key
 Polished Chrome Curved Neck Sash Lift
 Polished Chrome Secure Stop
 Horn Type: No Horns (11)
 Horn Type: Horn Detail A - Ogee (12)
 Trickle Vent: Frame - Titon 4600EA - 364mm -
 White (12)
 Profile - Ovolo
 White Weatherseal
 Window Board Groove - 25mm
 Paint Outside & Inside: Factory Spray Finish
 Paint Outside & Inside: White (RAL 9016)

Conservation range: Sliding Sash Window

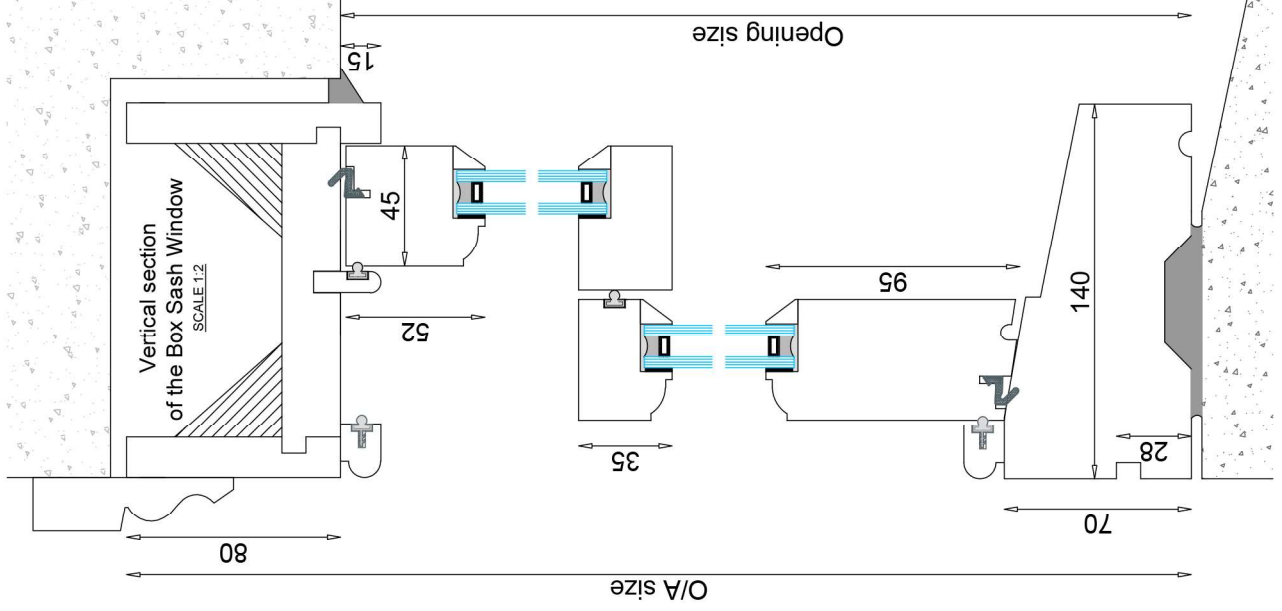
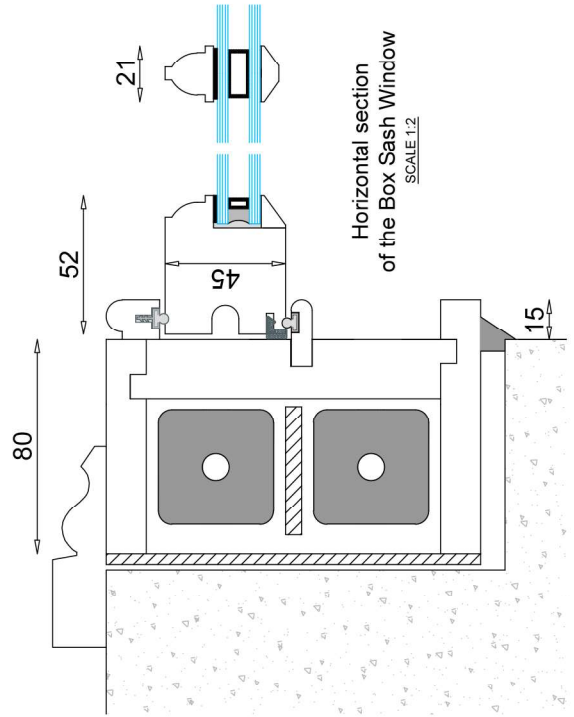
Example window layout, 6 over 2 panes.

Available in all glazing bar configurations or without glazing bars.

Ovolo or lambs tongue moulds available or to match existing design.



Standard horn types available as above or to match existing. With or without horns to top / bottom sashes.



General notes

- Windows to be glazed with clear 4/8/4 low E krypton filled double glazed units with choice of black, white or grey spacer bars. Large choice of glass types available.
- Glazing units within 800mm of finished floor level to be toughened safety glass to BS.6206. 1981.
- All construction timber to be Accoya/Hardwood.
- All windows to be fully weather stripped with schlegel aquamac soft compression seals.
- Windows to be fitted with lead counter balance weights.
- Ironmongery to include 4 x bearing type sash pulleys - 2 x sash lifts - 1 x fitch catch (2 no to wider windows); colour/finish - choice of satin chrome, polished chrome or polished brass.
- Security - Provide 2 no security sash stop locks to each set of opening sashes.
- Paint finish: white as standard - factory spray applied microporous paint. Choice of colour, dual colour, colour match or stain.

Scale	1:2 @ A3	Drawing No.	
Date		Rev/Issue	1
Dimension	mm	Design by	

Project Name:
Conservation Range
Sliding Sash Window
Example