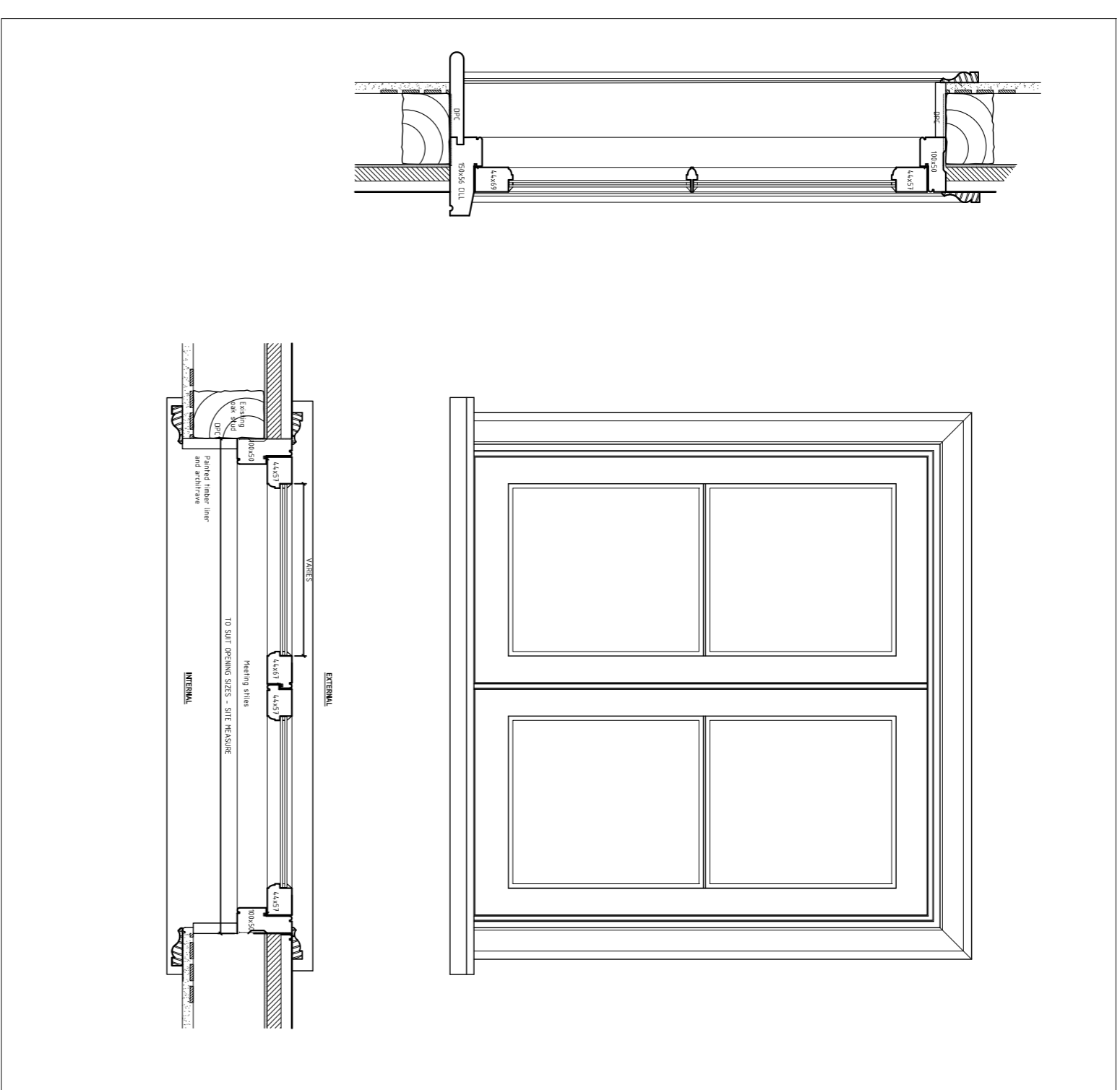
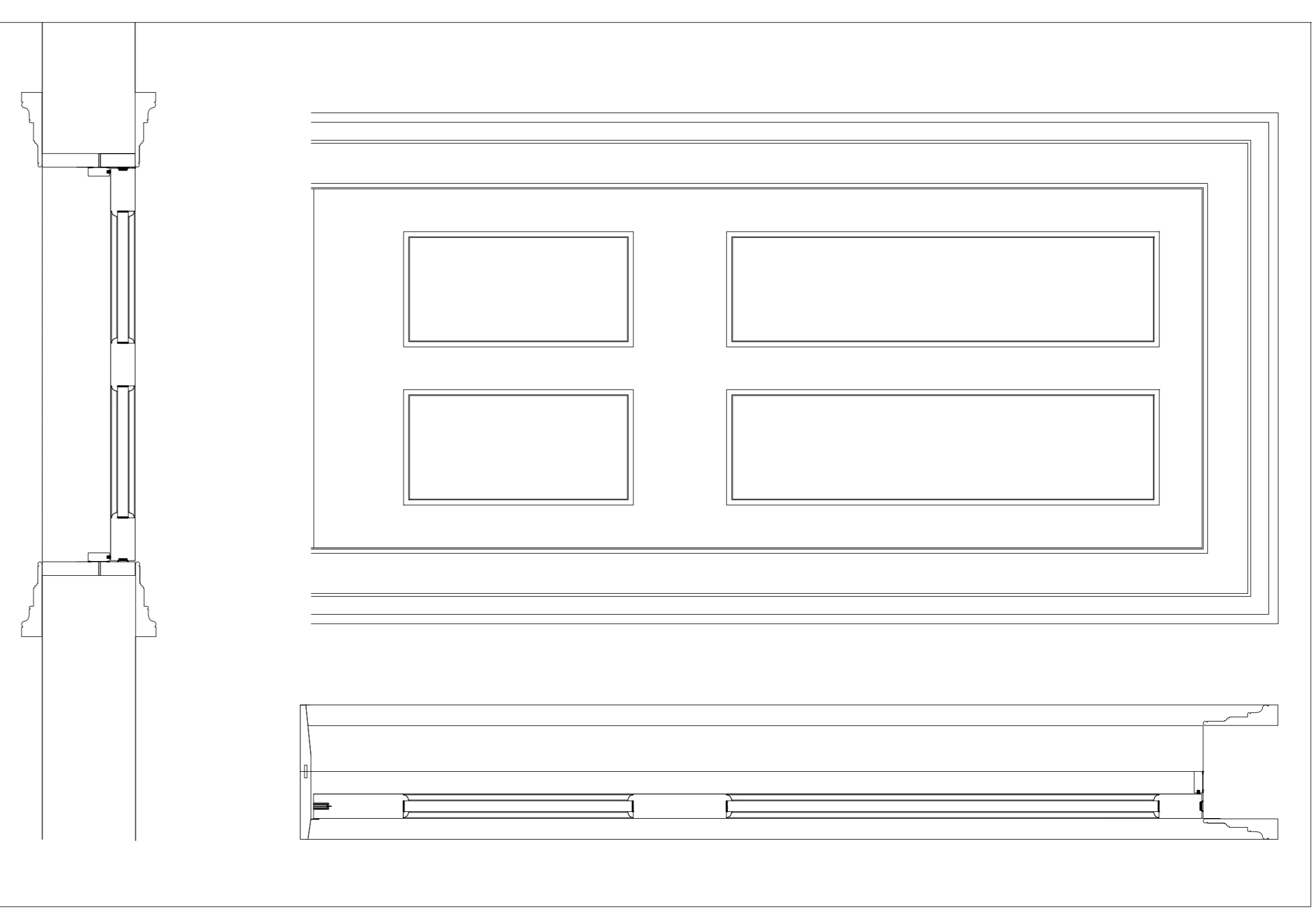


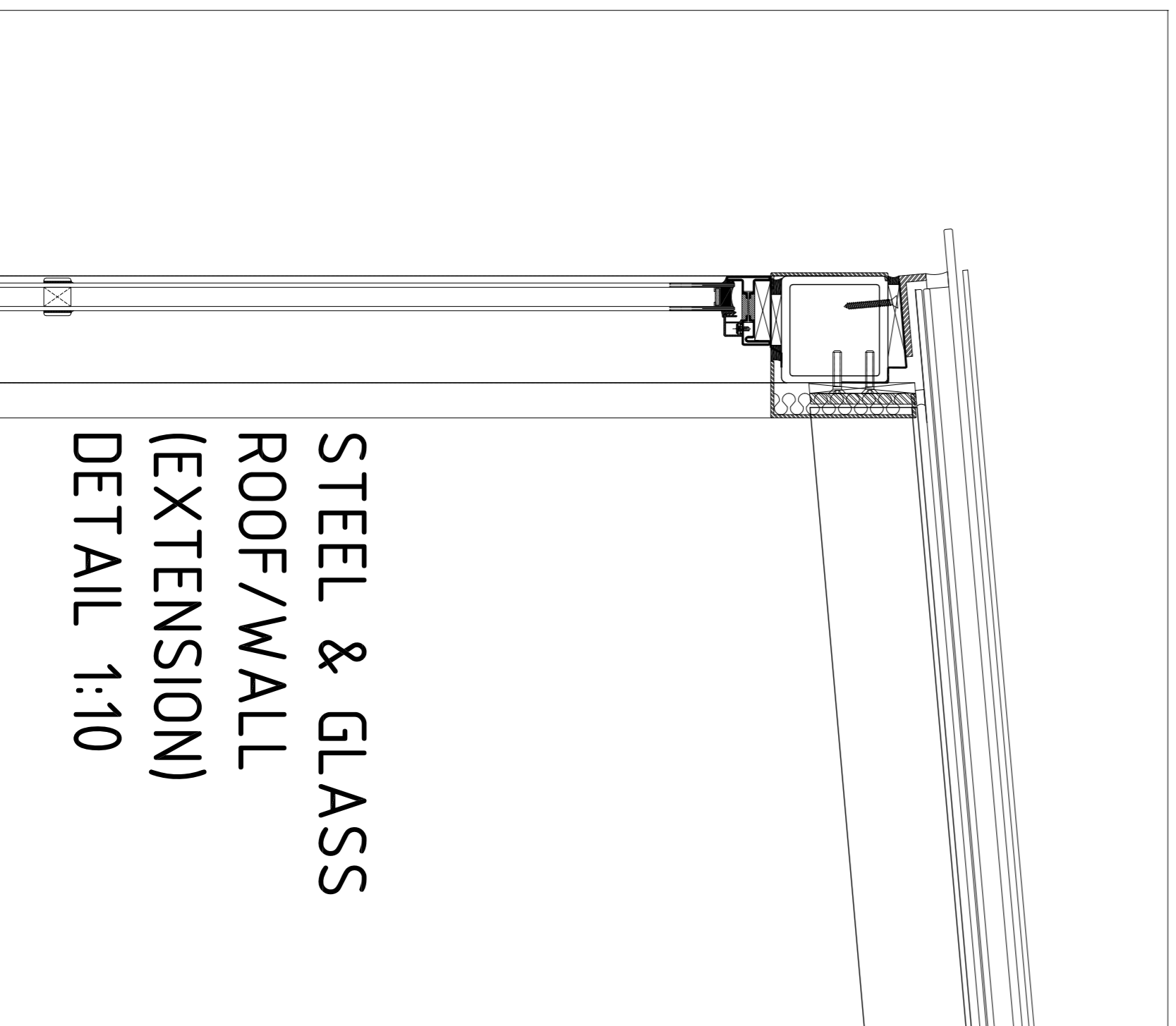
TYPICAL FRENCH DOOR DETAILS 1:10



TYPICAL CASEMENT  
 WINDOW DETAILS 1:10



TYPICAL FRONT DOOR DETAILS 1:10



NO	REVISIONS	DATE	BY	CHKD
1	ISSUE FOR PLANNING	01/07/23		
<p>TYPICAL JOINTS DETAILS          for 3 ROSSETA STREET          GLOUCESTER          G08 2SN</p>				
NO	DATE	BY	CHKD	
2234 / PD / 204	15/07/23	A	ST	
1:20 / 1:10 @ A1	15/07/23	ST		
<p>AV PILSBURY THOMAS ARCHITECTS          THE BAYNE STREET          15, AVON STREET          GLOUCESTER, GLOUCESTERSHIRE, GLOUCESTER, G08 2SN</p>				