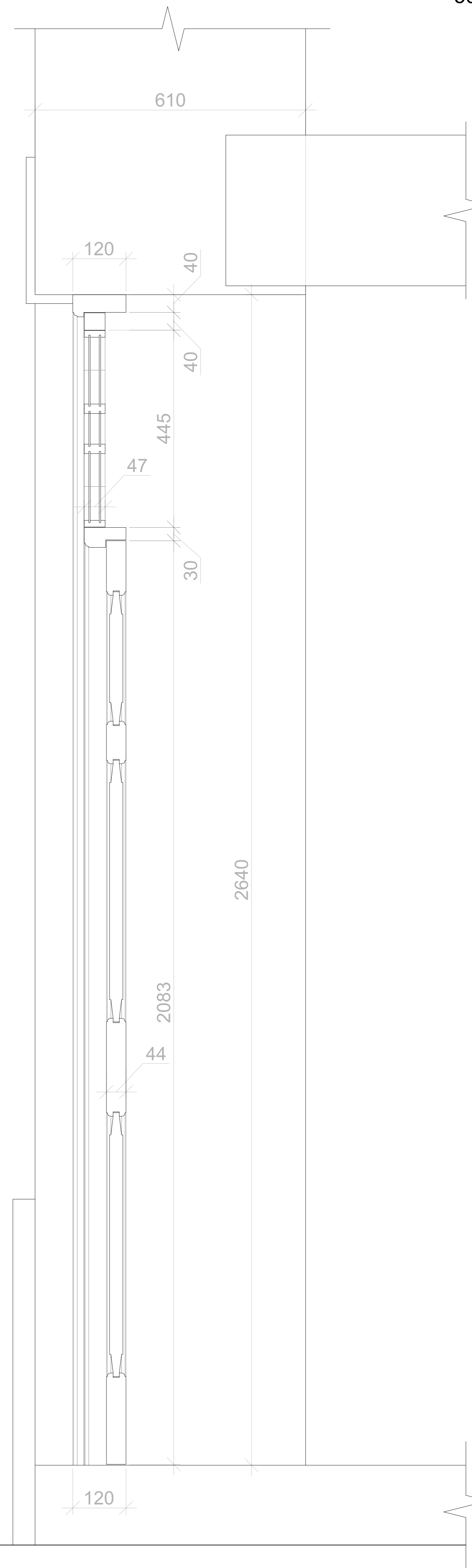


PROPOSED DOOR ELEVATION



PROPOSED DOOR VERTICAL SECTION

This drawing is copyright of Lewis Property Woodstock Ltd., reproduction is only to take place with written authority.

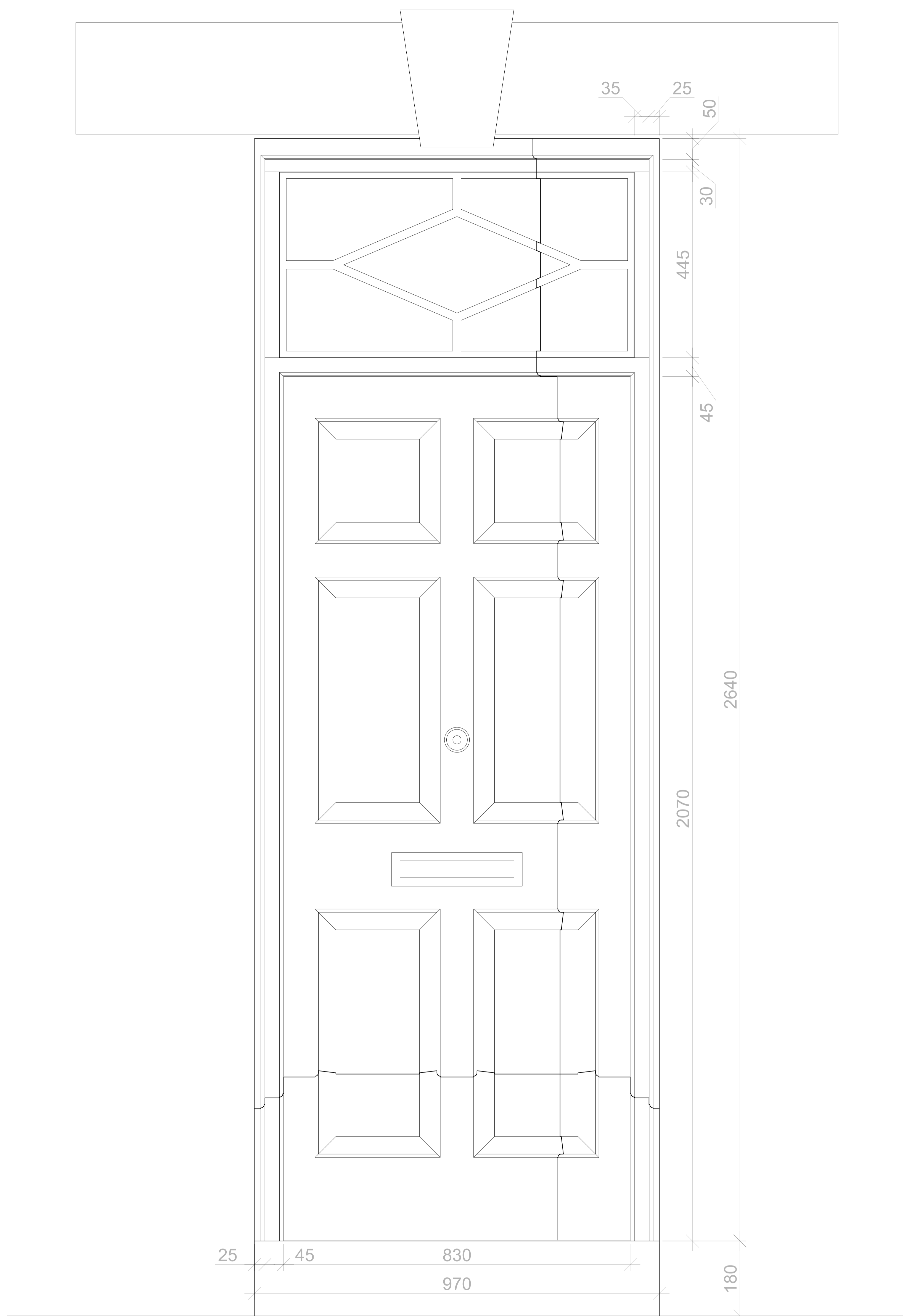
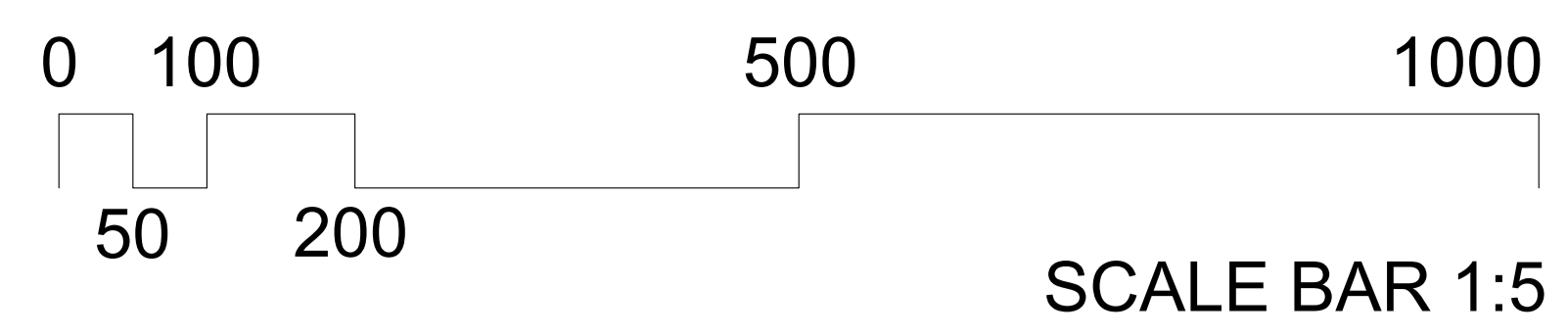
Job Title: 44 Oxford Street, Woodstock, OX20 1TT

Drawing Title: Proposed Door Elevation + Vertical Section

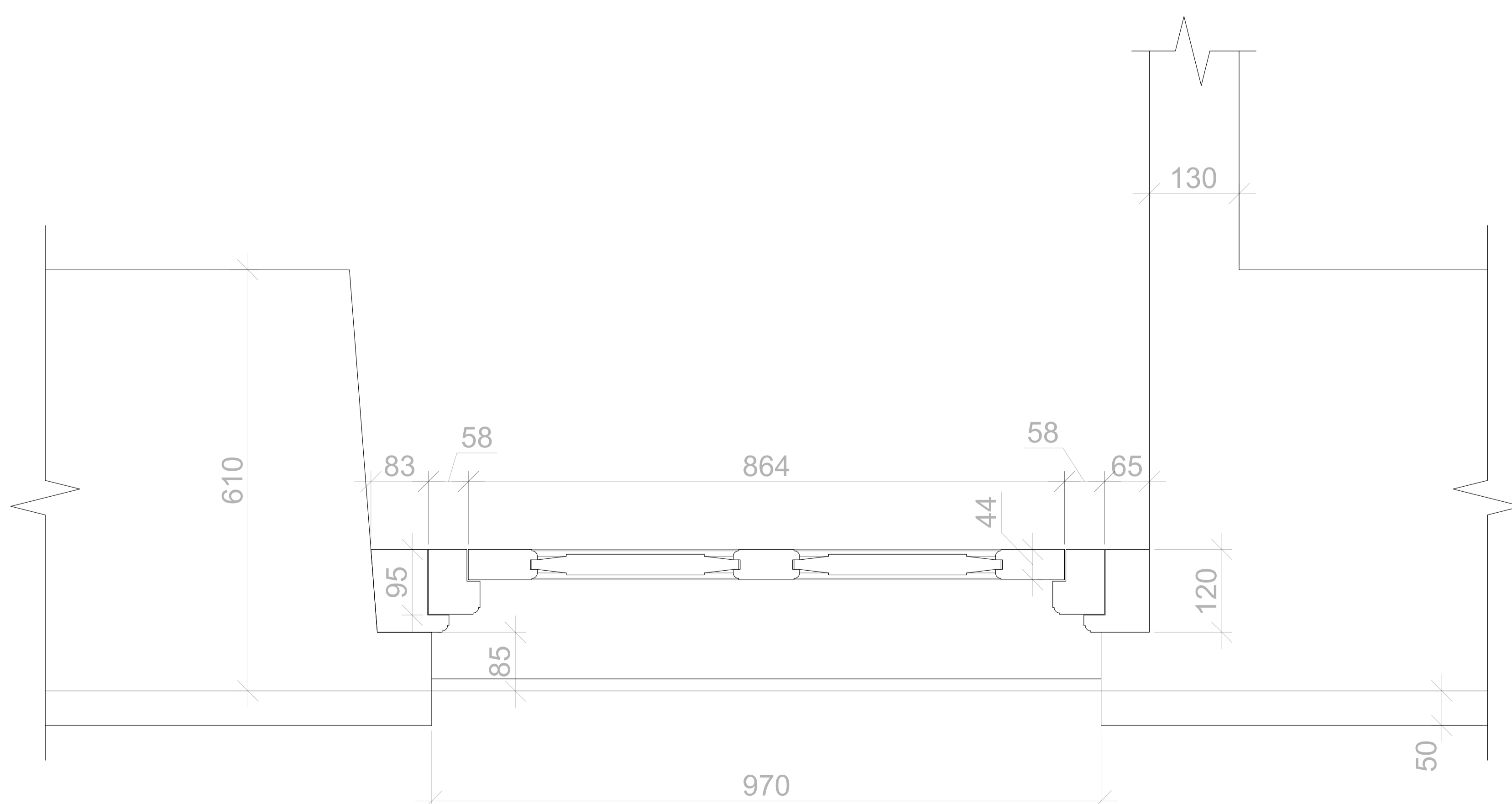
Drawing No.: 149_JD_001

Date: July 2023

Scale: 1:5 @A0



PROPOSED DOOR ELEVATION



PROPOSED DOOR HORIZONTAL SECTION

This drawing is copyright of Lewis Property Woodstock Ltd., reproduction is only to take place with written authority.

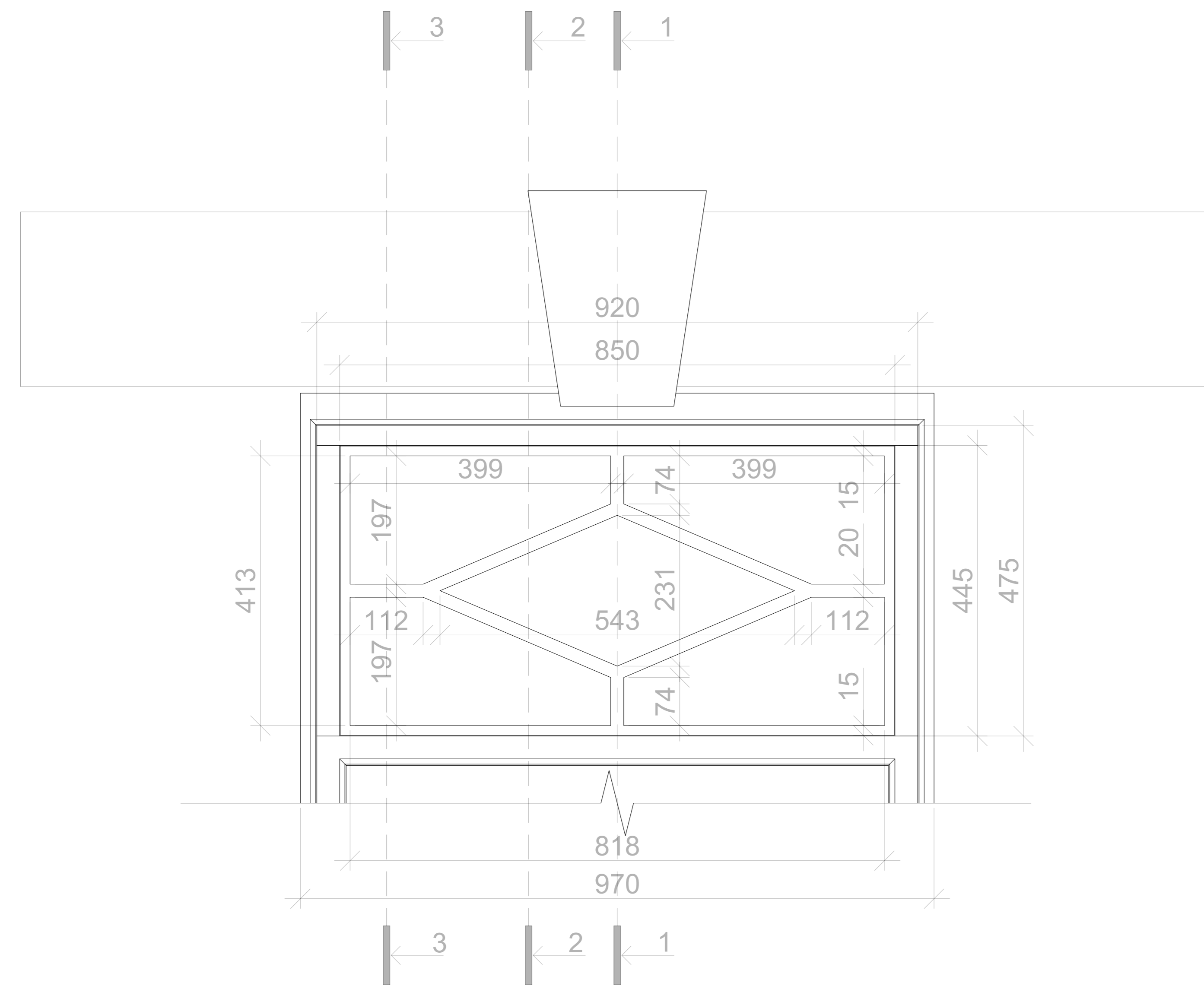
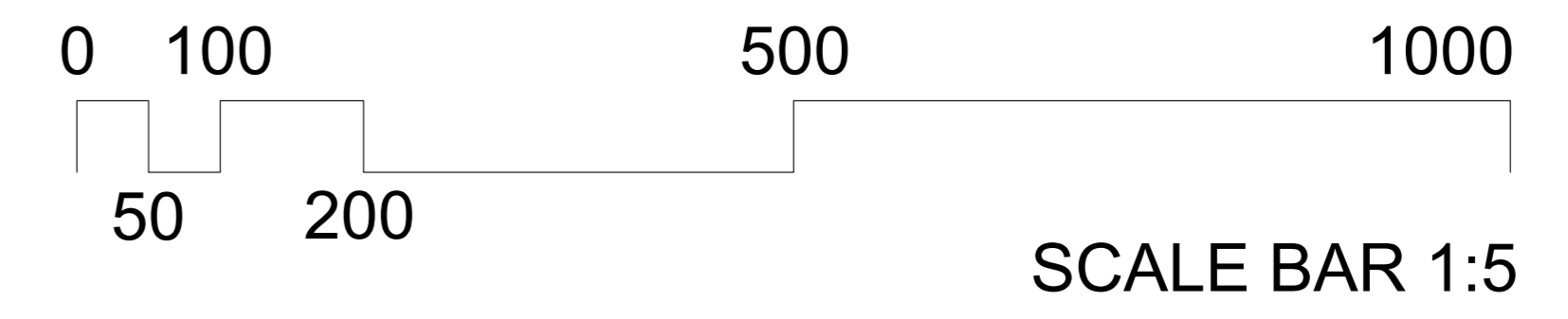
Job Title: 44 Oxford Street, Woodstock, OX20 1TT

Drawing Title: Proposed Door Elevation + Horizontal Section

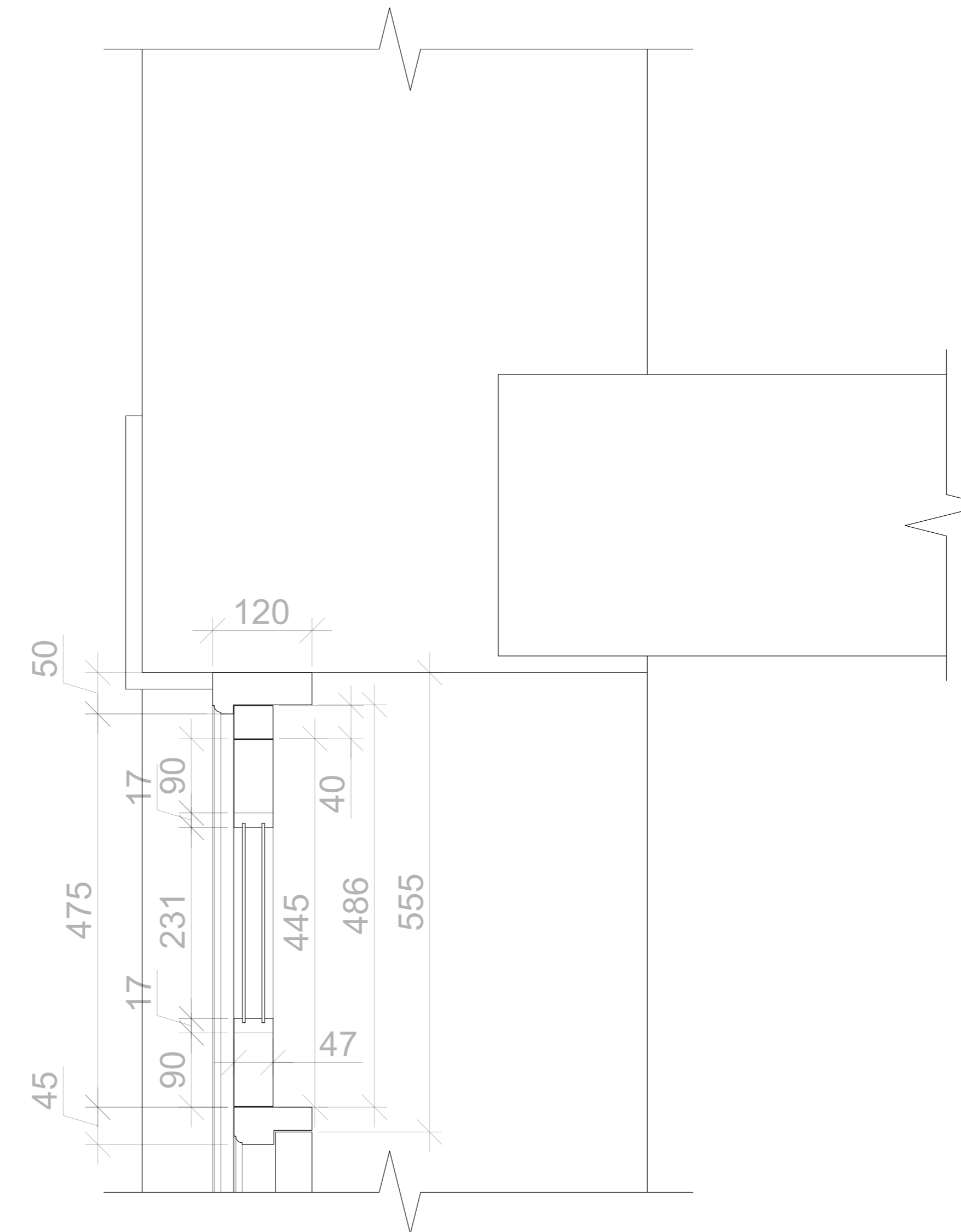
Drawing No.: 140_JD_002

Date: July 2023

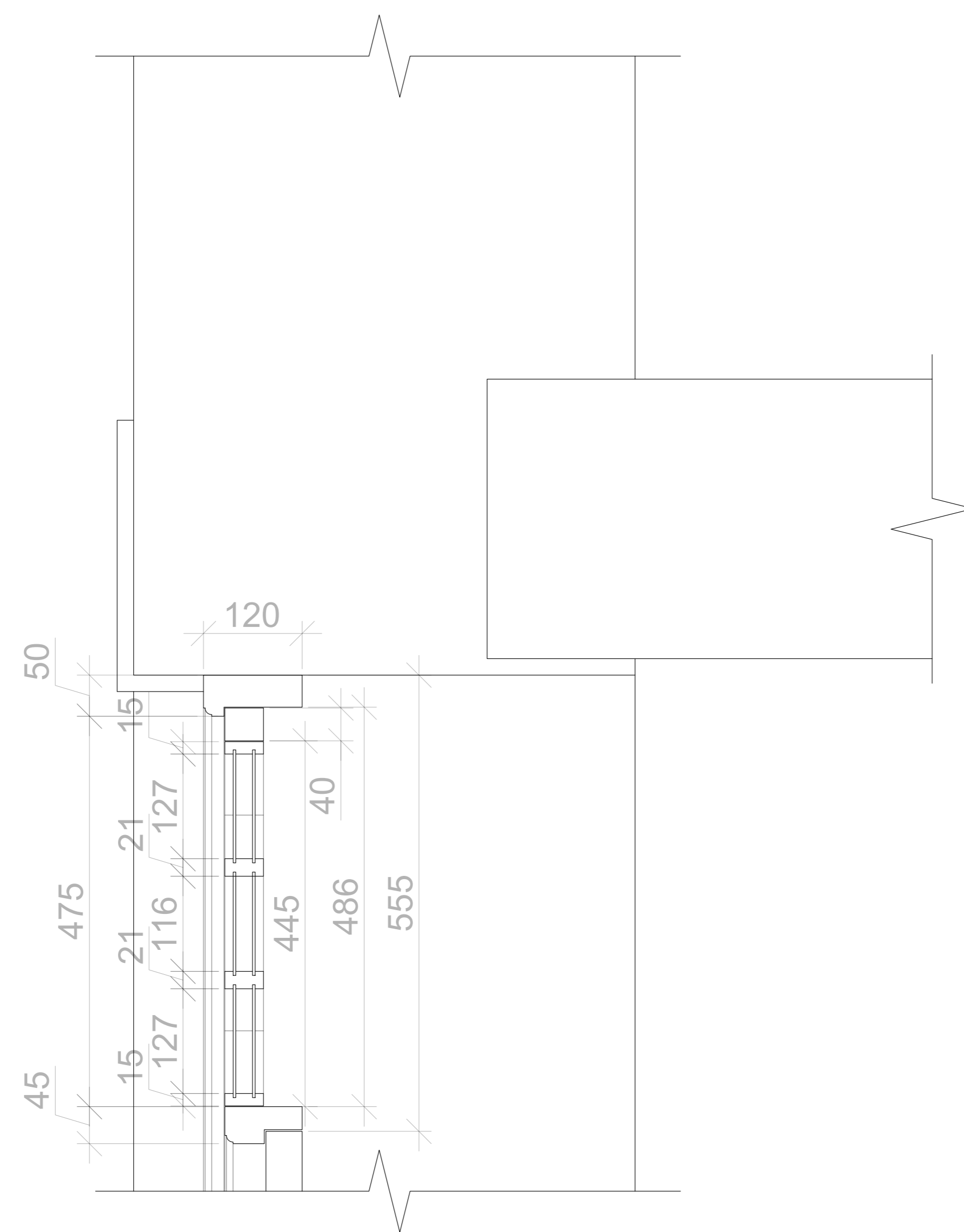
Scale: 1:5 @A0



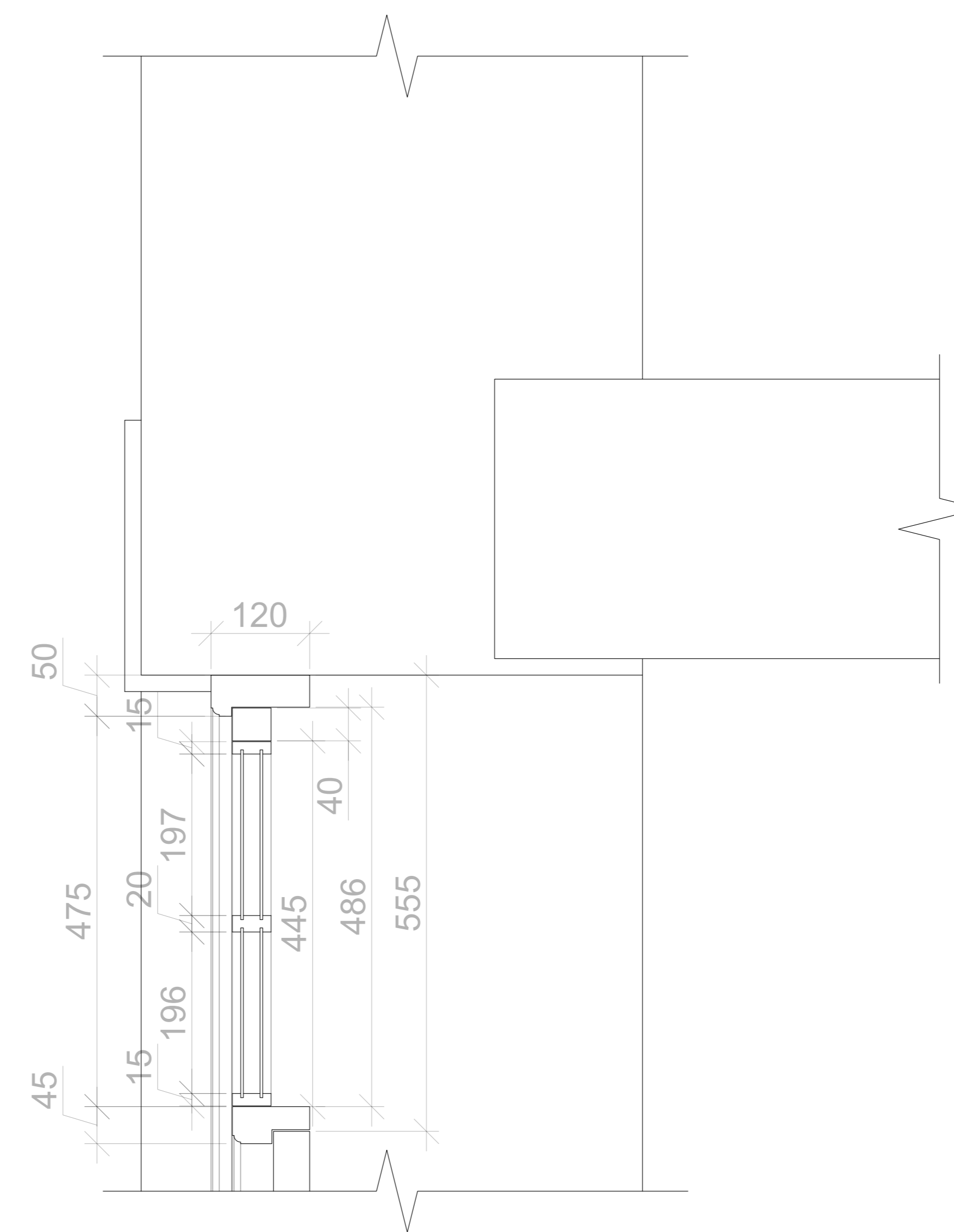
PROPOSED WINDOW ELEVATION



SECTION 1-1



SECTION 2-2



SECTION 3-3

This drawing is copyright of Lewis Property Woodstock Ltd., reproduction is only to take place with written authority.

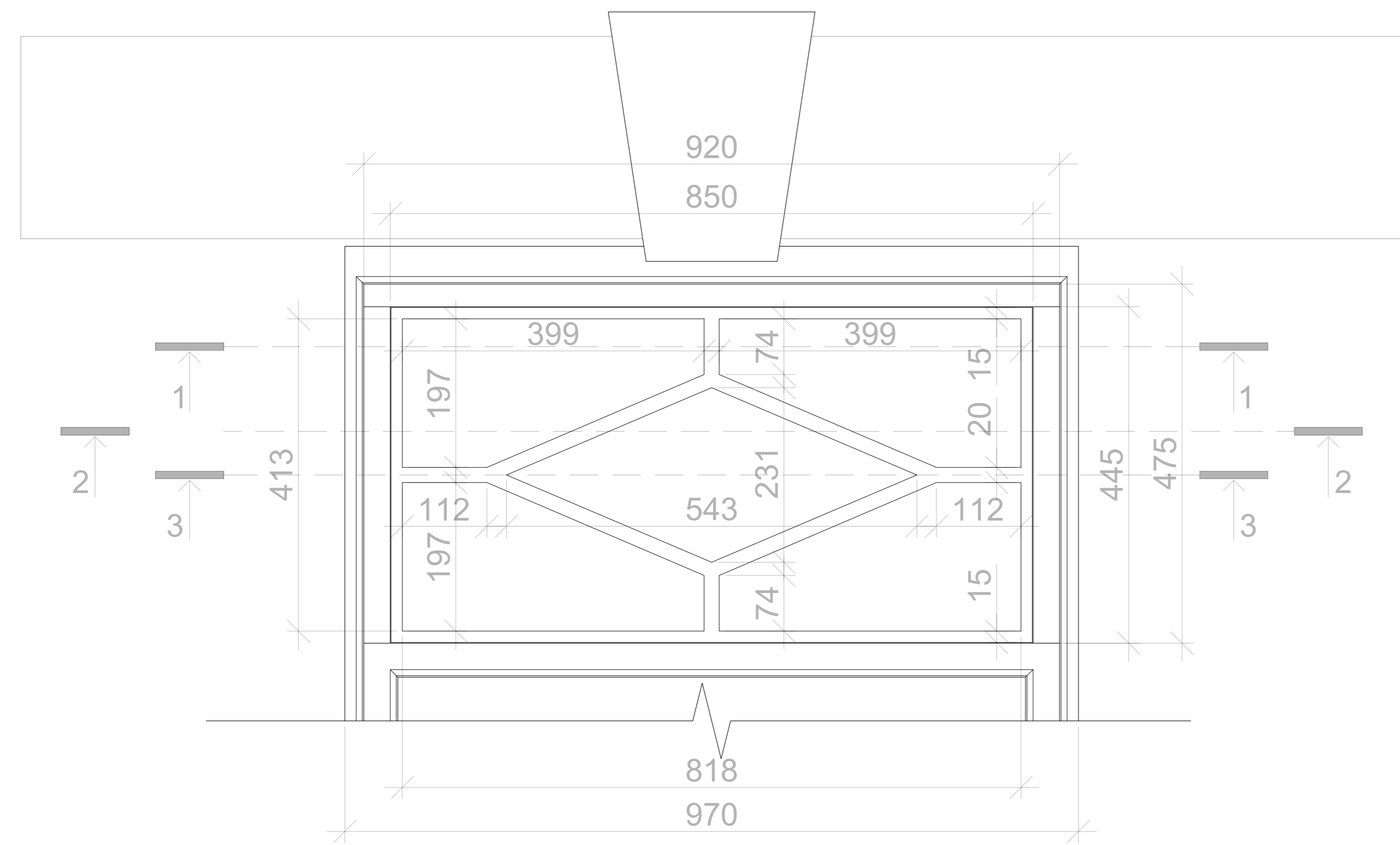
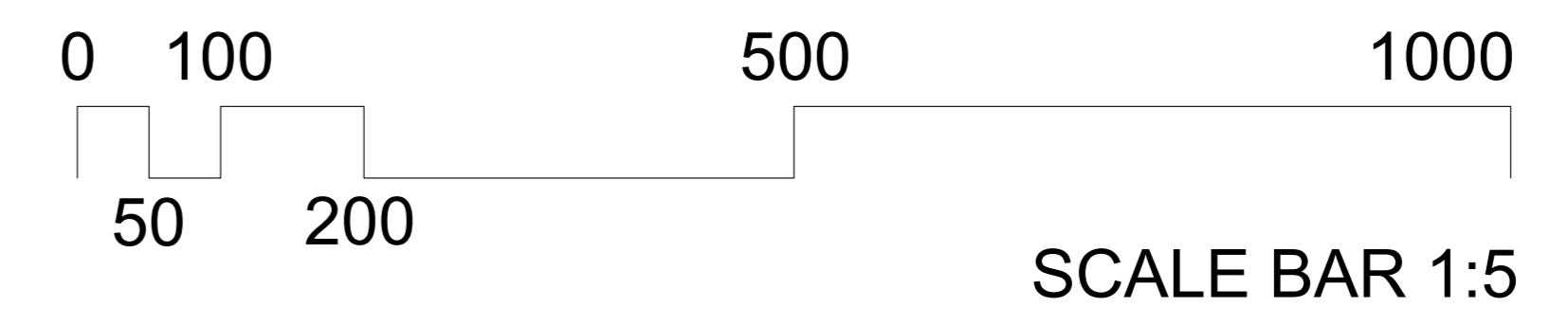
Job Title: 44 Oxford Street, Woodstock, OX20 1TT

Drawing Title: Proposed Window Elevation + Vertical Sections

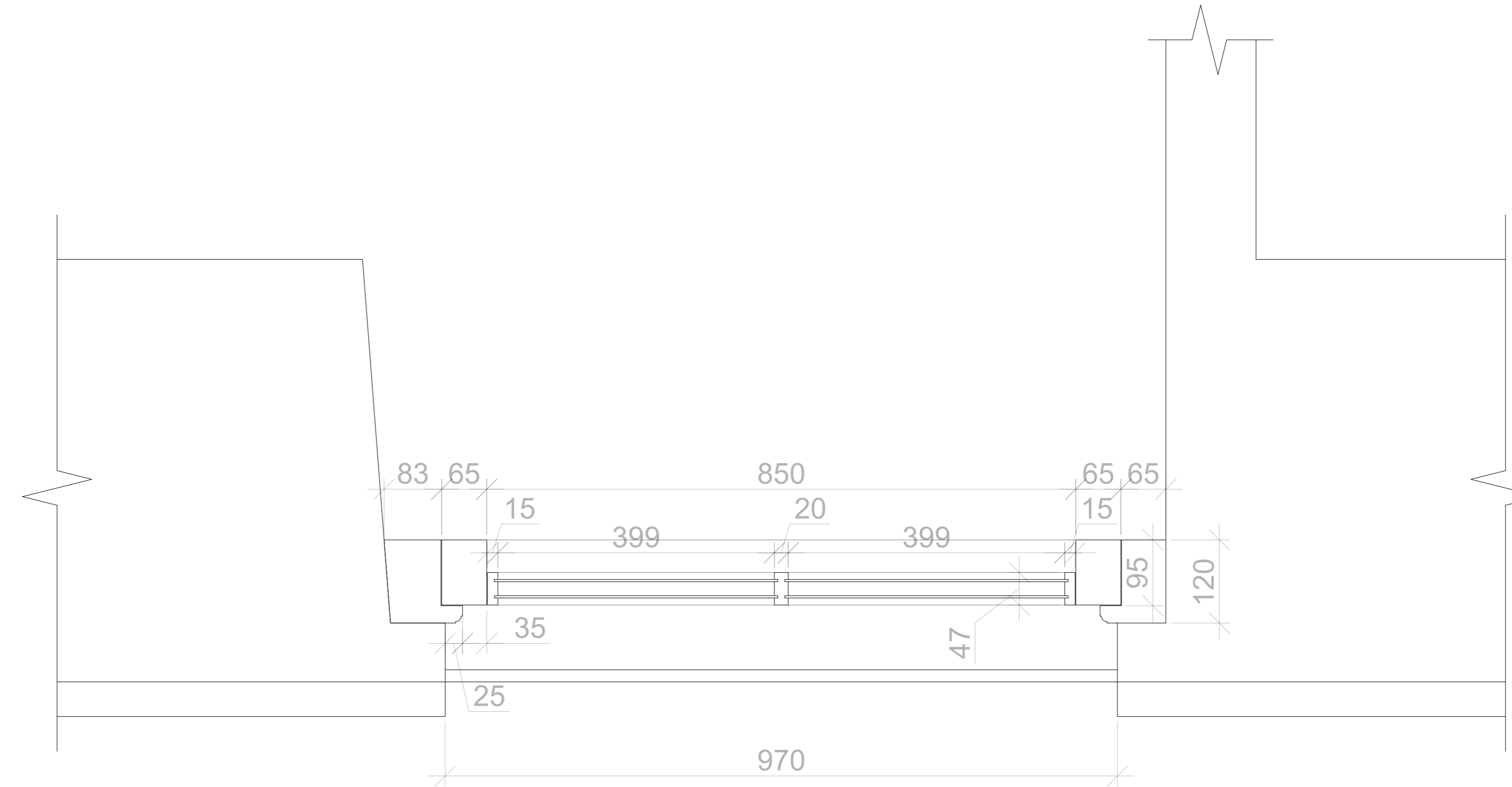
Drawing No.: 149_JD_003

Date: July 2023

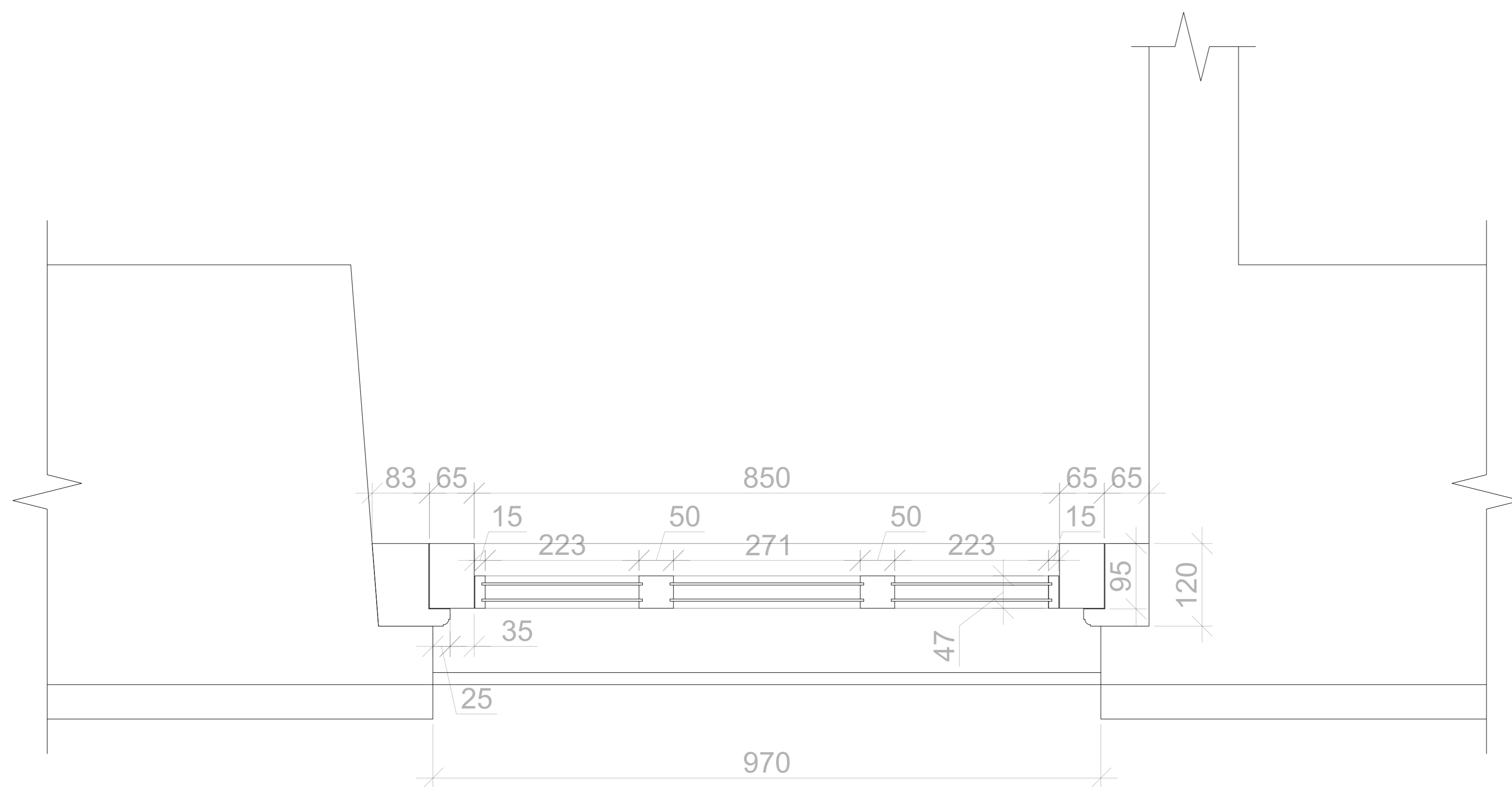
Scale: 1:5 @A0



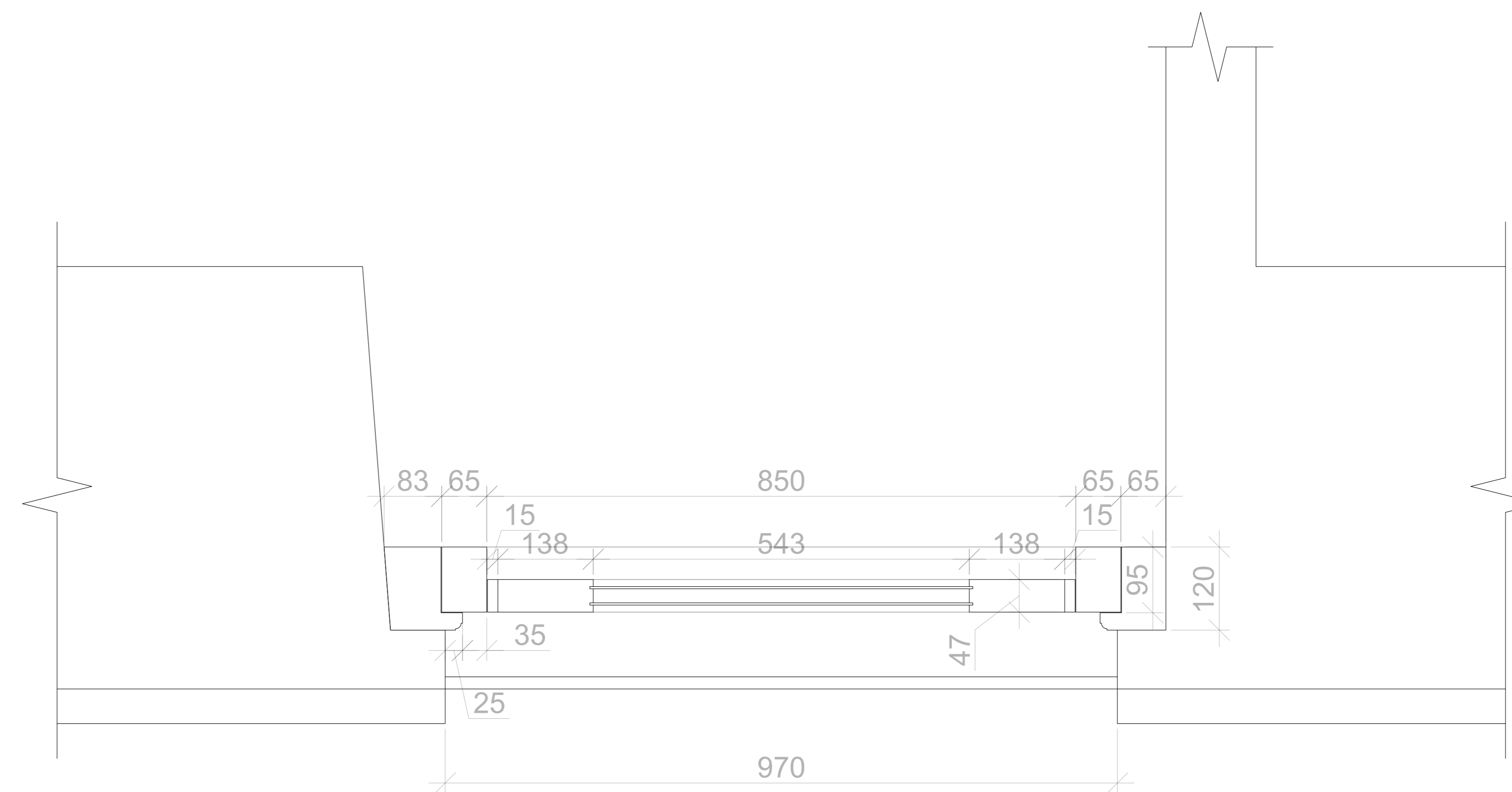
PROPOSED WINDOW ELEVATION



SECTION 1-1



SECTION 2-2



SECTION 3-3

This drawing is copyright of Lewis Property Woodstock Ltd., reproduction is only to take place with written authority.

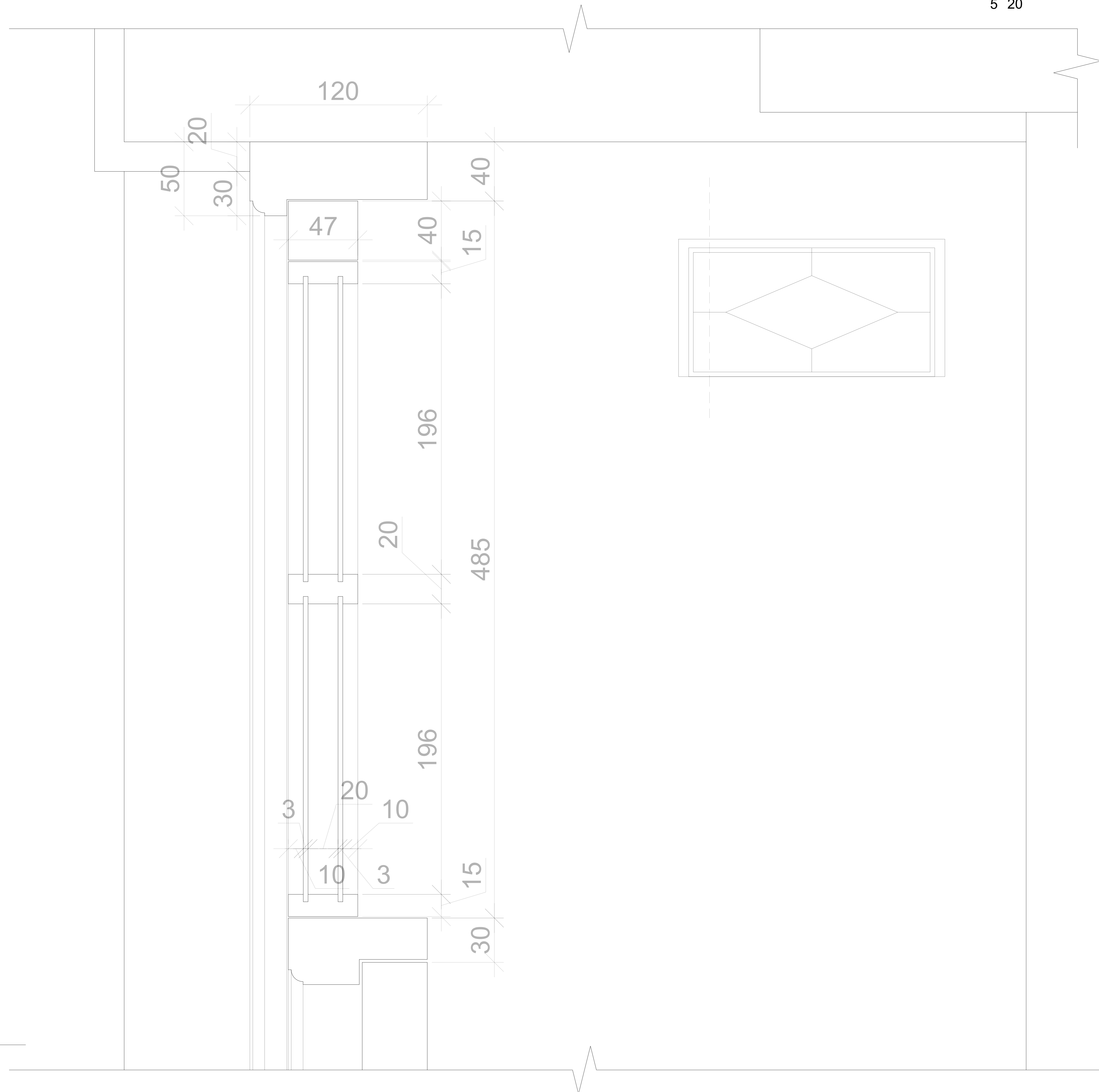
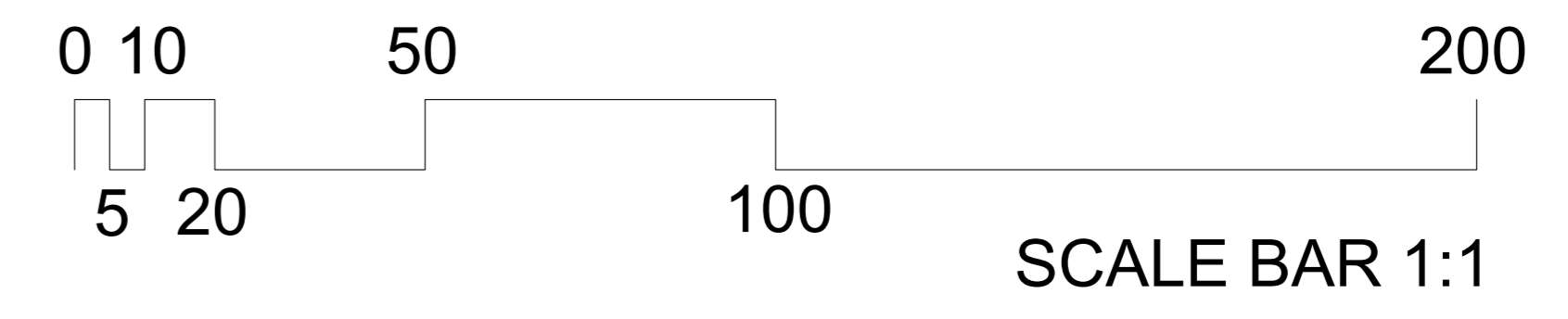
Job Title: 44 Oxford Street, Woodstock, OX20 1TT

Drawing Title: Proposed Window Elevation + Horizontal Sections

Drawing No.: 149_JD_004

Date: July 2023

Scale: 1:5 @A0



PROPOSED WINDOW
VERTICAL SECTION

This drawing is copyright of Lewis Property Woodstock Ltd., reproduction is only to take place with written authority.

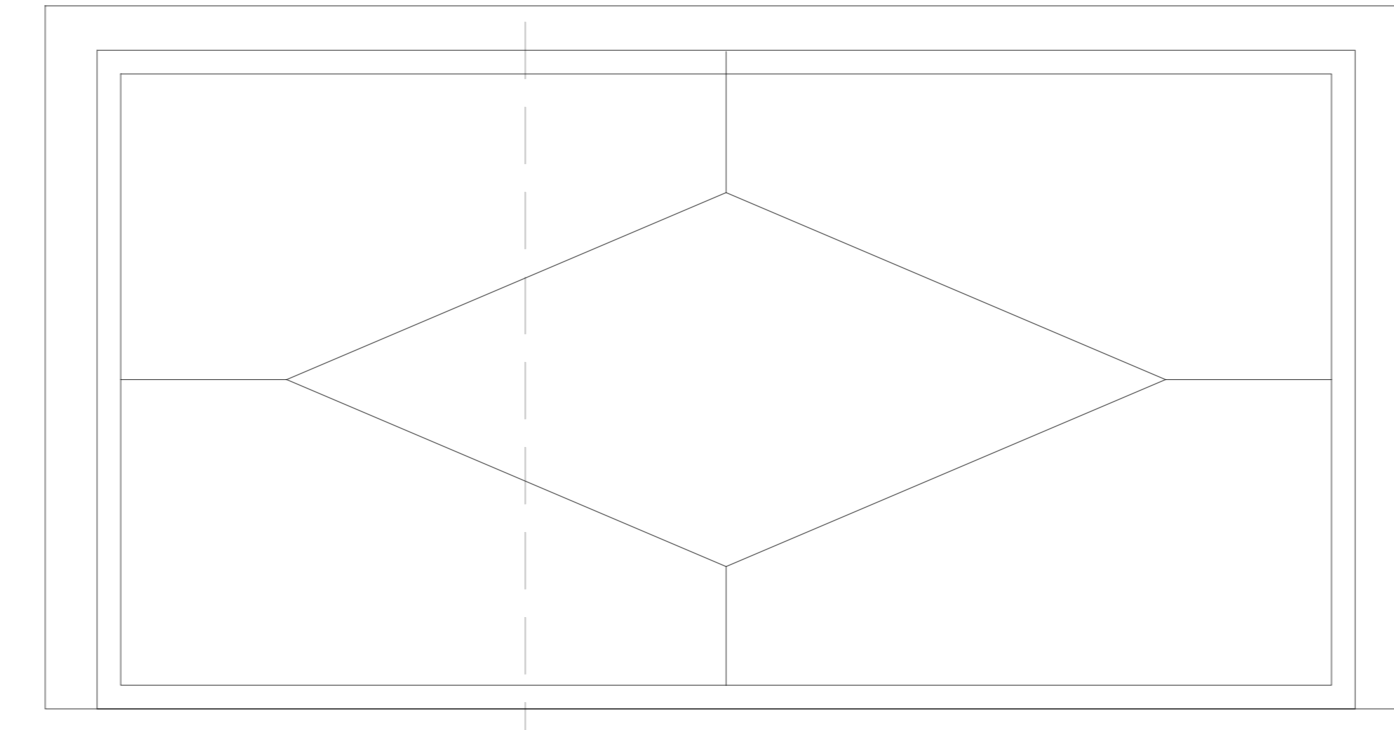
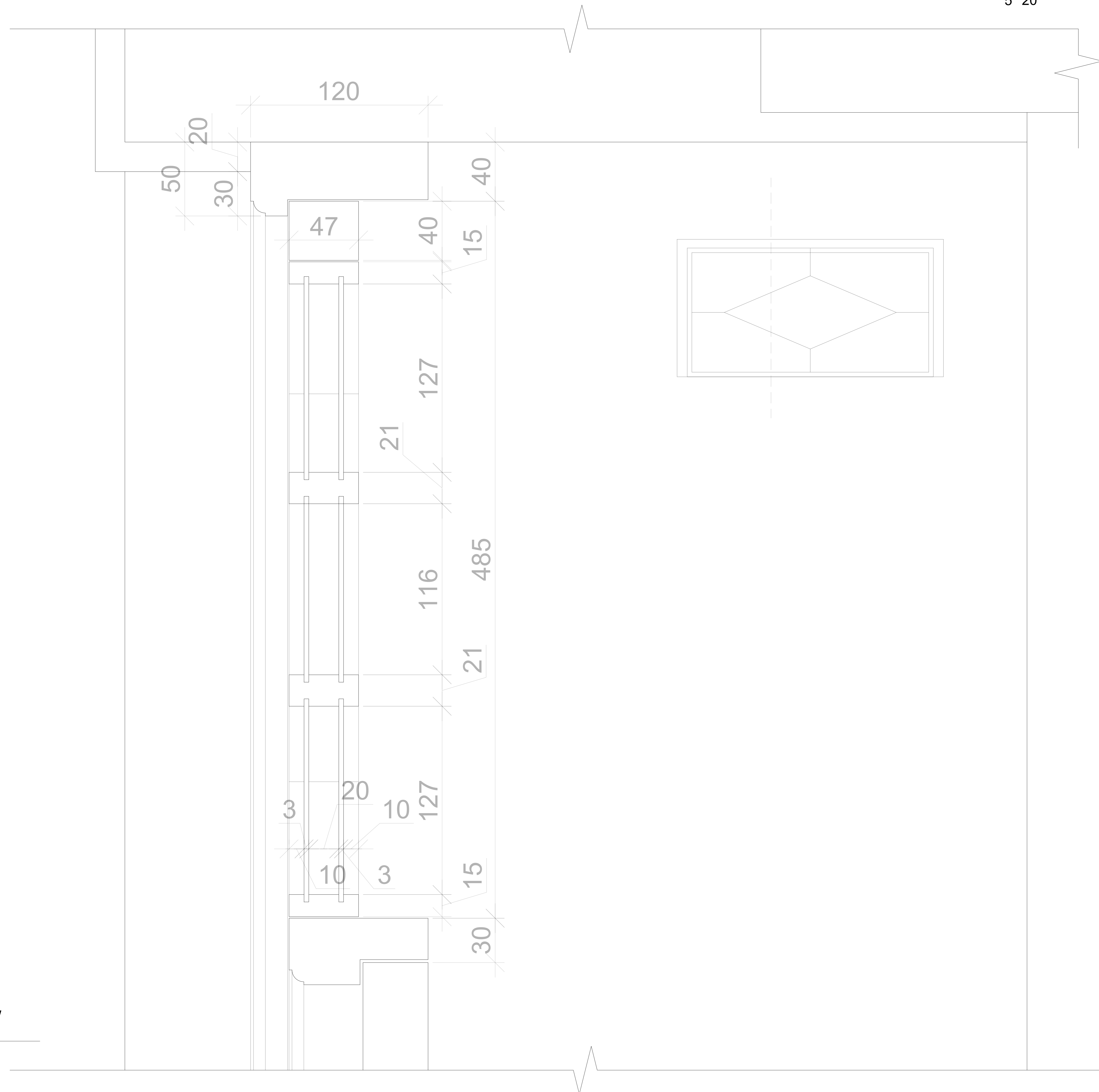
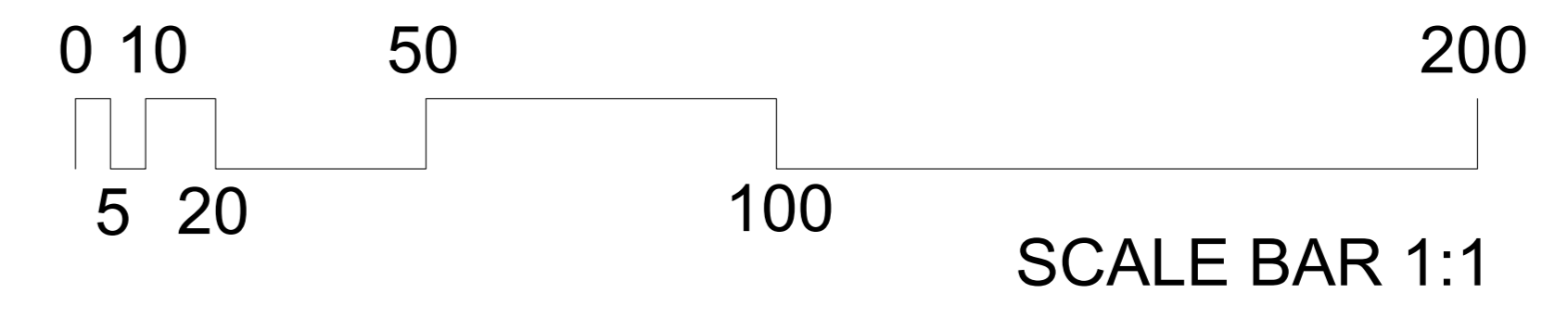
Job Title: 44 Oxford Street,
Woodstock, OX20 1TT

Drawing Title: Proposed Window
Vertical Section

Drawing No.: 149_JD_006

Date: July 2023

Scale: 1:1 @A0



PROPOSED WINDOW
VERTICAL SECTION

This drawing is copyright of Lewis Property Woodstock Ltd., reproduction is only to take place with written authority.

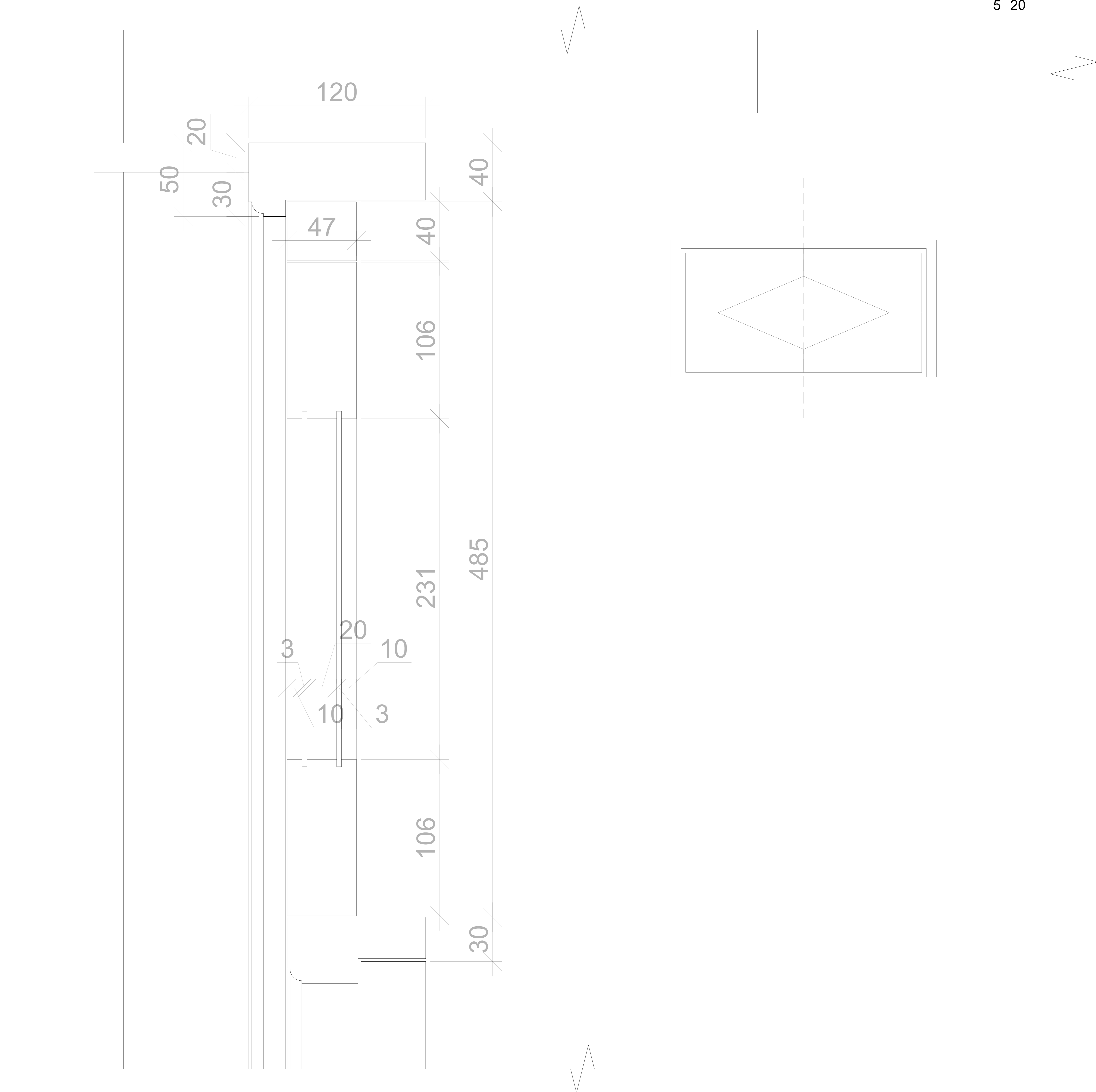
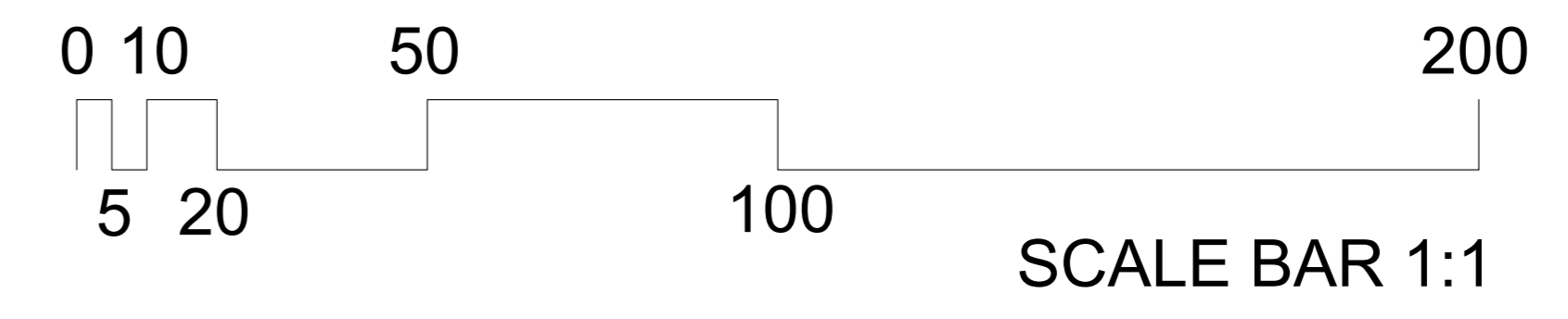
Job Title: 44 Oxford Street,
Woodstock, OX20 1TT

Drawing Title: Proposed Window
Vertical Section

Drawing No.: 149_JD_007

Date: July 2023

Scale: 1:1 @A0



PROPOSED WINDOW
VERTICAL SECTION

This drawing is copyright of Lewis Property Woodstock Ltd., reproduction is only to take place with written authority.

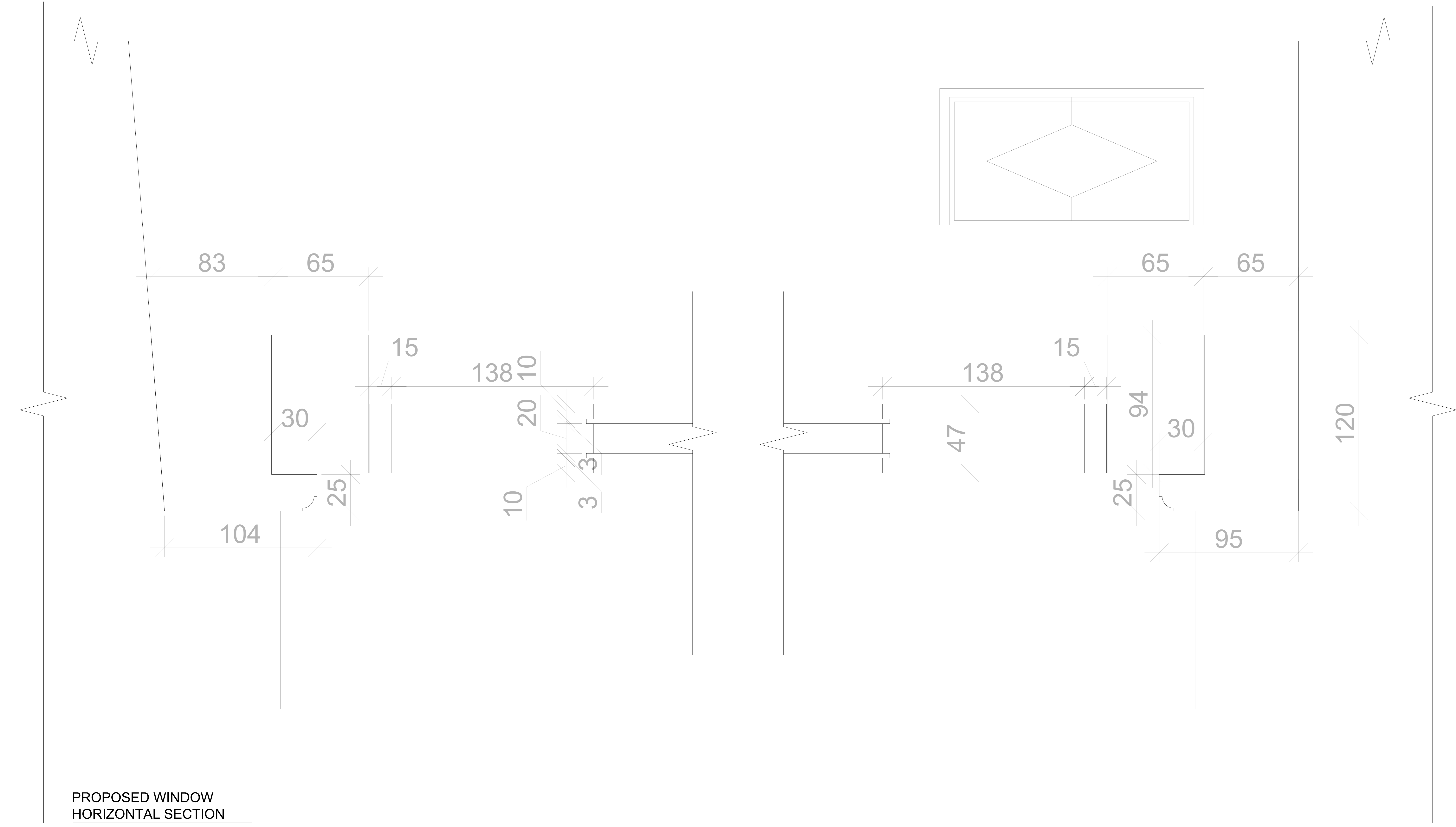
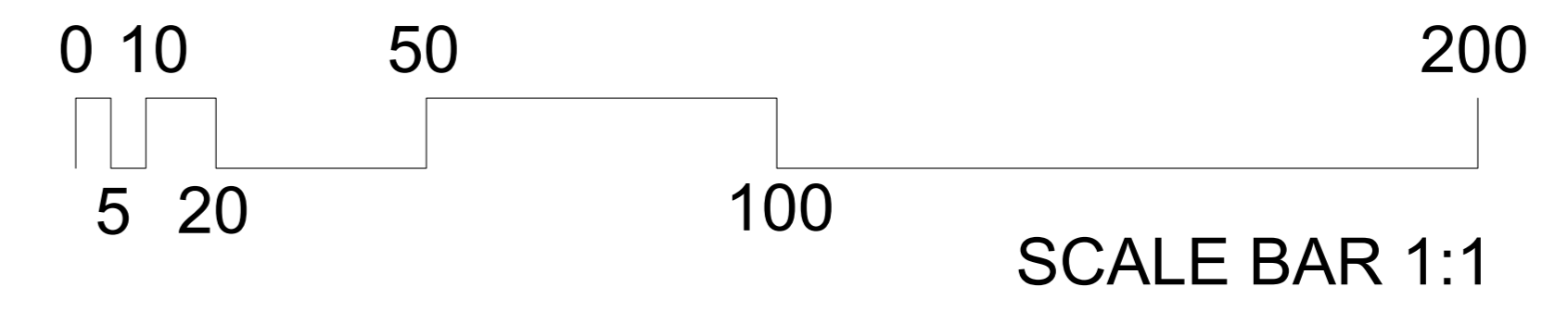
Job Title: 44 Oxford Street,
Woodstock, OX20 1TT

Drawing Title: Proposed Window
Vertical Section

Drawing No.: 149_JD_008

Date: July 2023

Scale: 1:1 @A0



PROPOSED WINDOW
HORIZONTAL SECTION

This drawing is copyright of Lewis Property Woodstock Ltd., reproduction is only to take place with written authority.

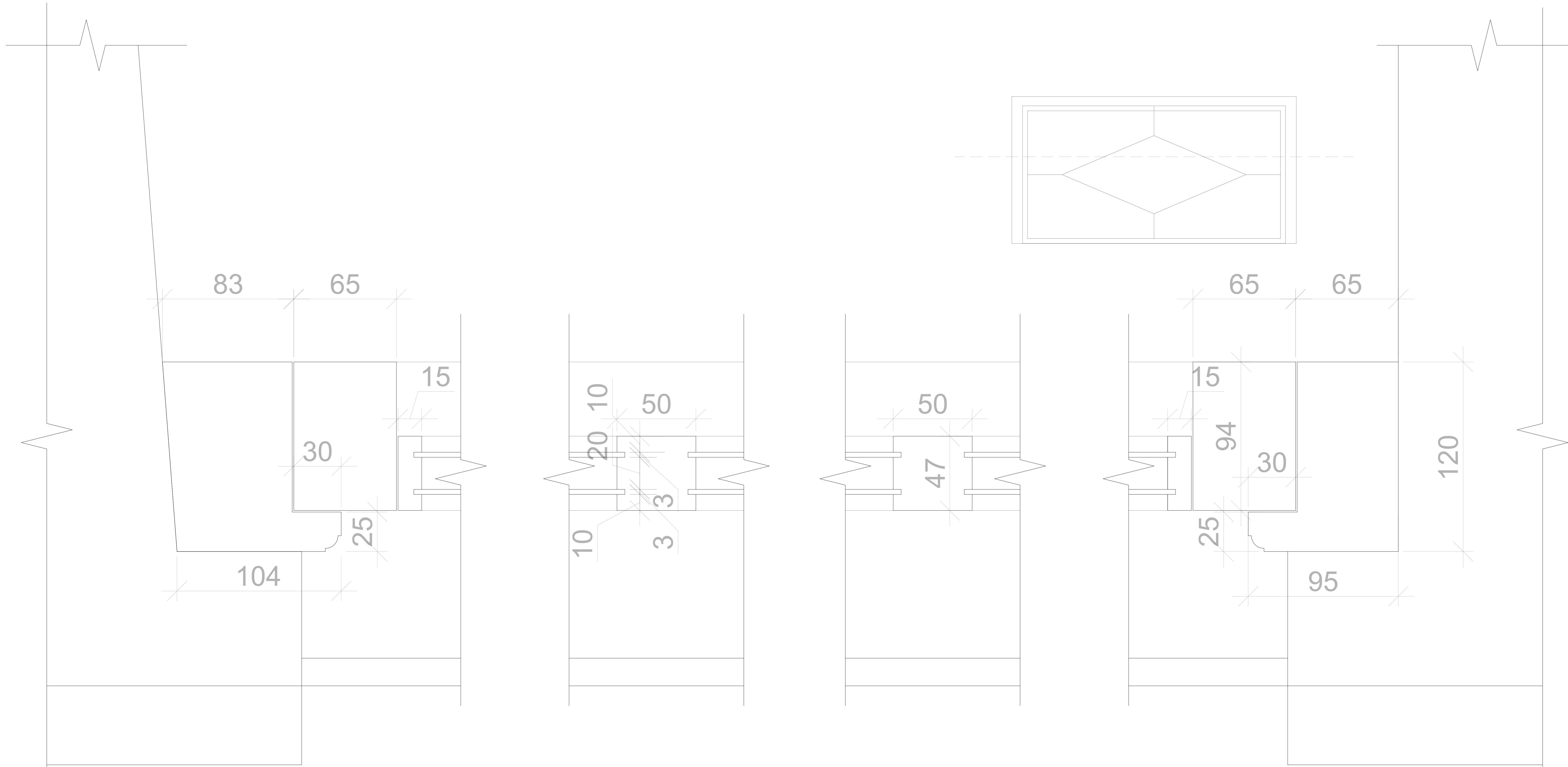
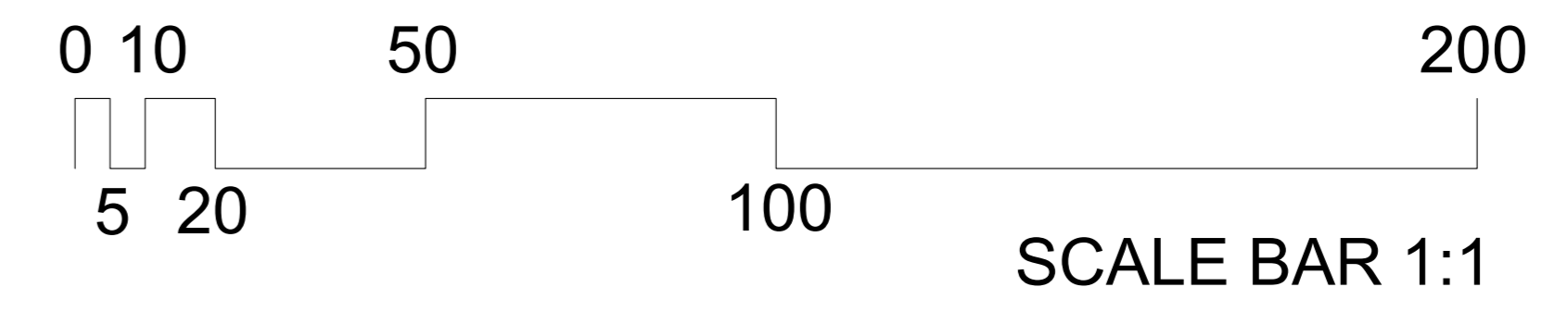
Job Title: 44 Oxford Street,
Woodstock, OX20 1TT

Drawing Title: Proposed Window
Horizontal Section

Drawing No.: 149_JD_009

Date: July 2023

Scale: 1:1 @A0



PROPOSED WINDOW
HORIZONTAL SECTION

This drawing is copyright of Lewis Property Woodstock Ltd., reproduction is only to take place with written authority.

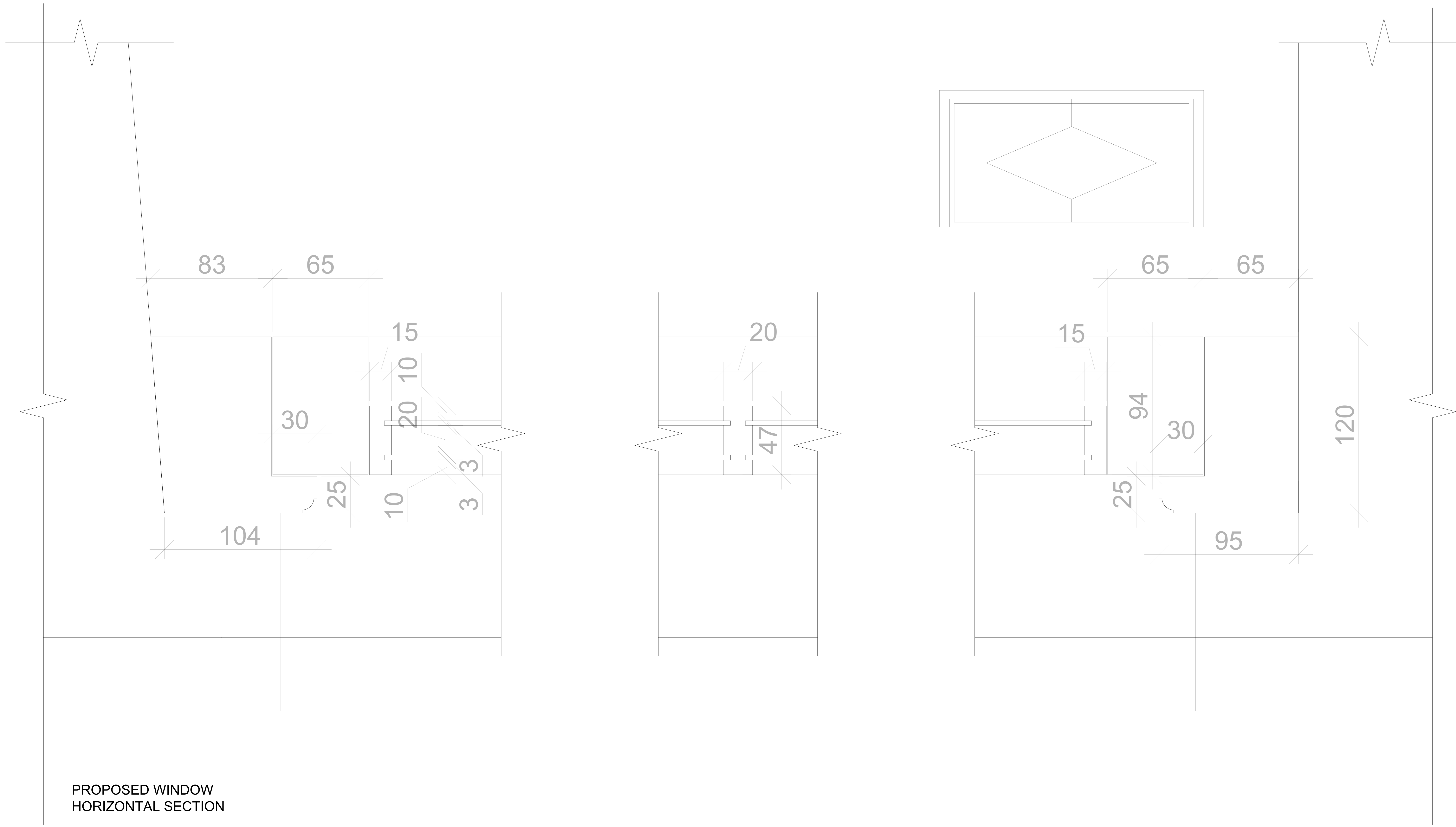
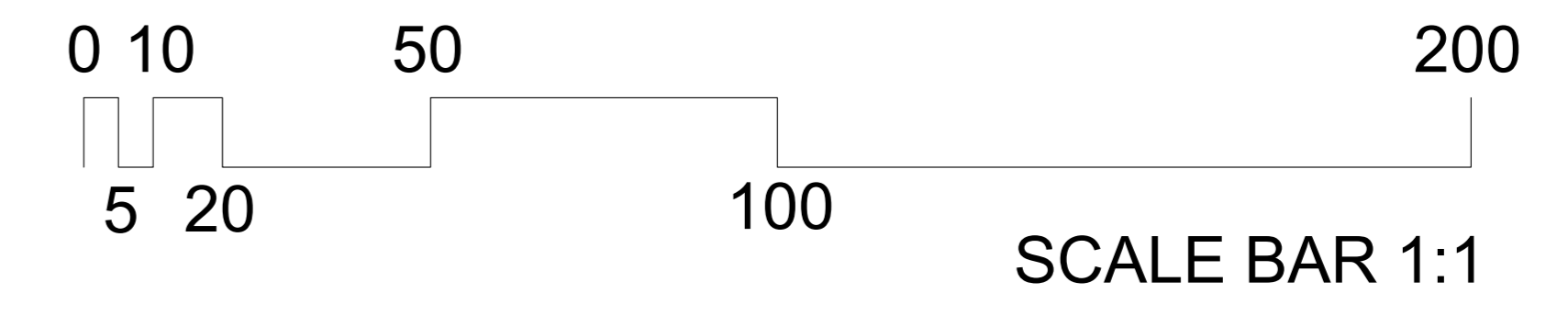
Job Title: 44 Oxford Street,
Woodstock, OX20 1TT

Drawing Title: Proposed Window
Horizontal Section

Drawing No.: 149_JD_010

Date: July 2023

Scale: 1:1 @A0



PROPOSED WINDOW
HORIZONTAL SECTION

This drawing is copyright of Lewis Property Woodstock Ltd., reproduction is only to take place with written authority.

Job Title: 44 Oxford Street,
Woodstock, OX20 1TT

Drawing Title: Proposed Window
Horizontal Section

Drawing No.: 149_JD_011

Date: July 2023

Scale: 1:1 @A0