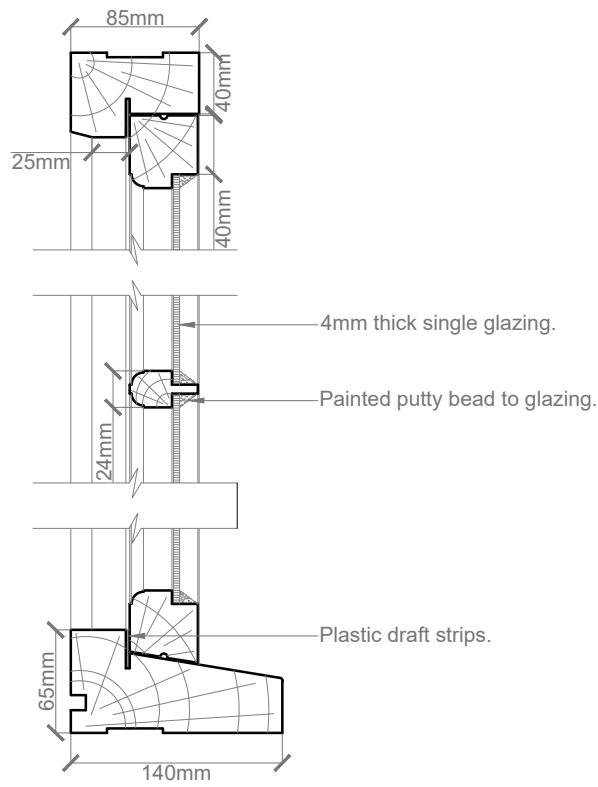
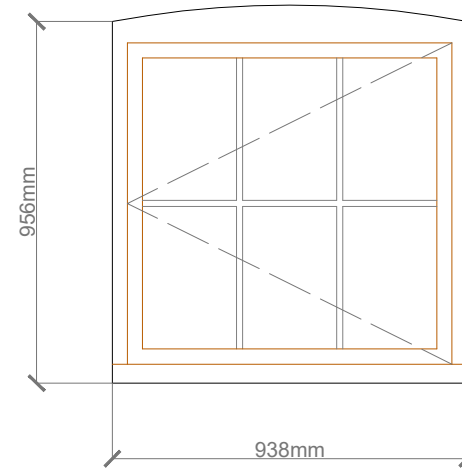
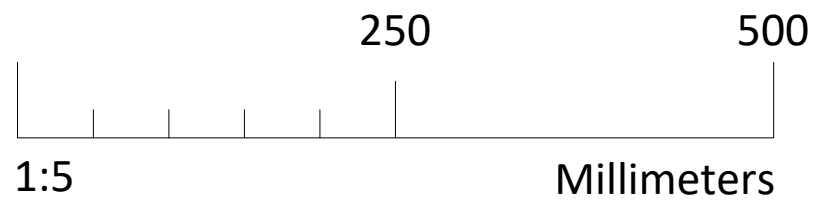


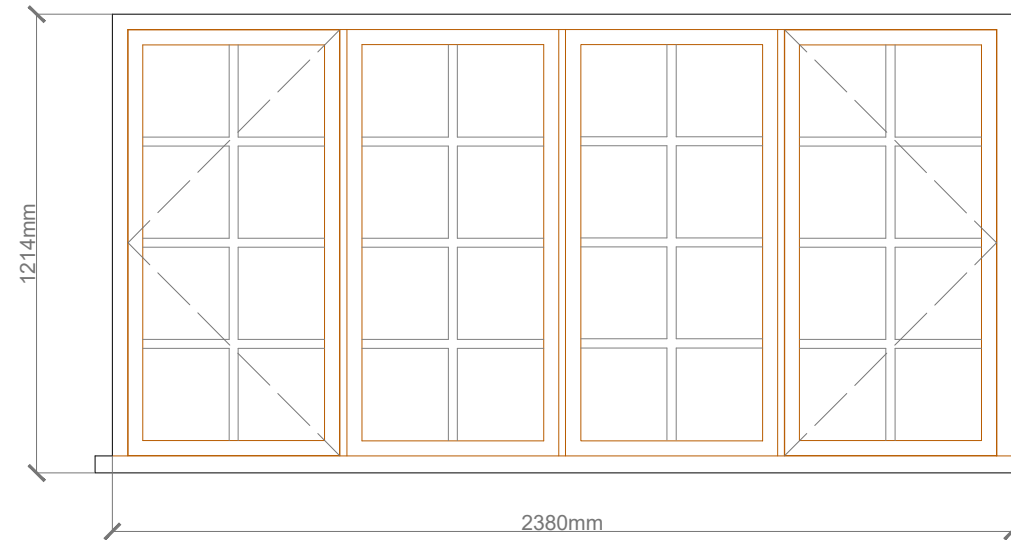
Typical horizontal casement window section (single glazing) [1:5]
- Windows 1,2 & 3.



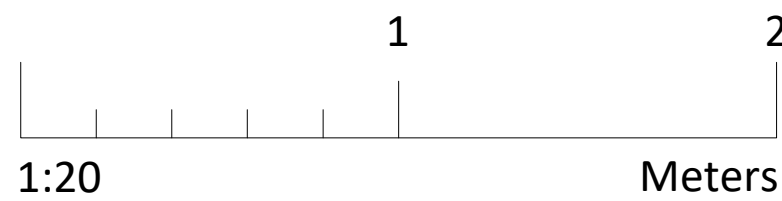
Typical vertical casement window section (single glazing) [1:5]
- Windows 1,2 & 3.



Proposed Joinery Elevations [1:20]
WINDOW 1.



Proposed Joinery Elevations [1:20]
WINDOW 2.



Creation Date	29.09.2023		
Revisions			
Rev	Date	Description	By

- NOTES:
1. This drawing remains the copyright of BCM
 2. All dimensions and levels are to be checked on site prior to works commencing.
 3. Do not scale from this drawing. Use figured dimensions only.
 4. Any discrepancies found are to be reported to the Project Manager immediately.
 5. This drawing is to be read in conjunction with sub-consultants and specialists drawings.
 6. CAD File name: 8834.002 Planning Enforcement Drawings.dwg
 7. If BCM logo is not in colour this is not an original drawing

PLANNING

Client	The Manor of Cadland		
Project Name	Ashlett Mill, Ashlett.		
Drawing Title	Joinery Details		
Drawn By	MJP		
Scale	1:5 & 1:20	Sheet Size	A3
Drawing No.	8834.002	Revision	-

BCM
The Old Dairy
Winchester Hill
Sutton Scotney
Near Winchester
Hampshire
SO21 3NZ
t 01962 763 900
www.bcm.co.uk

