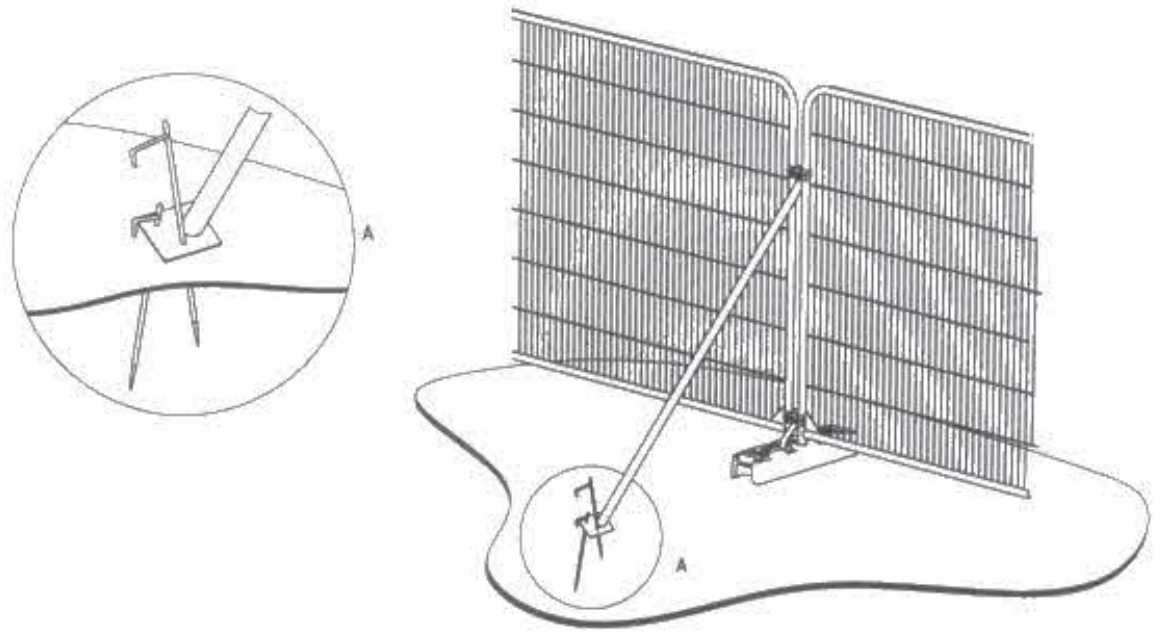
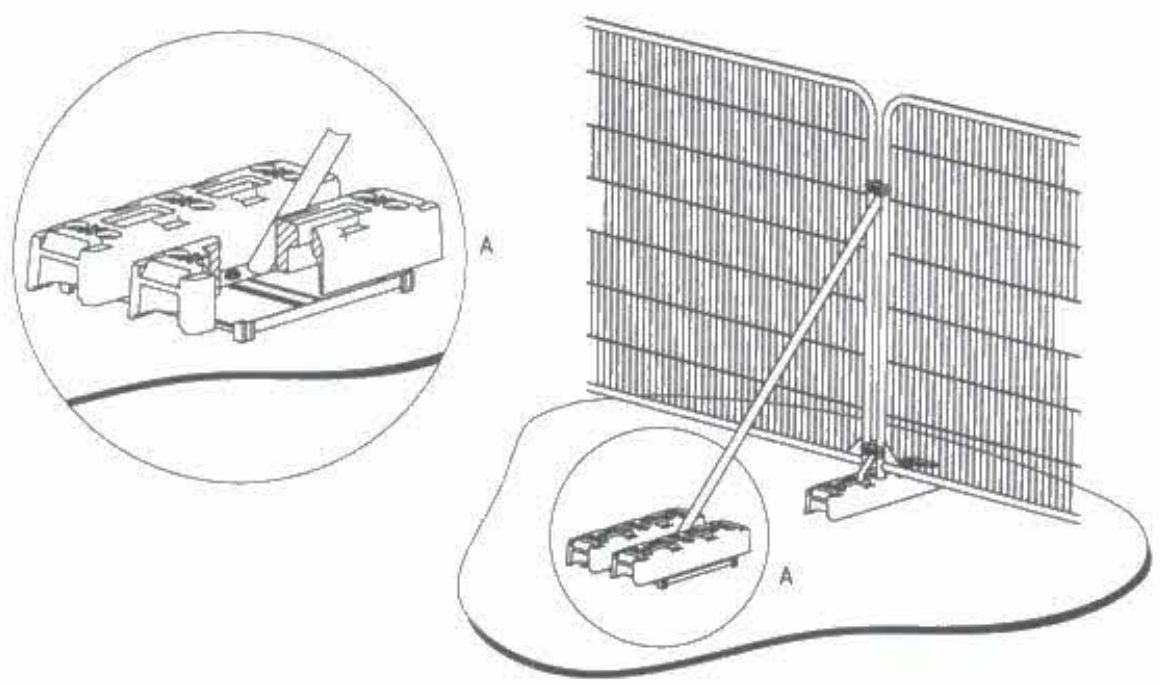


Figure 3 Examples of above-ground stabilizing systems



a) Stabilizer strut with base plate secured with ground pins



b) Stabilizer strut mounted on block tray