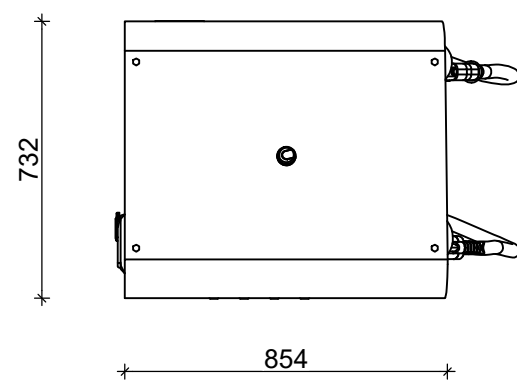


Side view (screen)

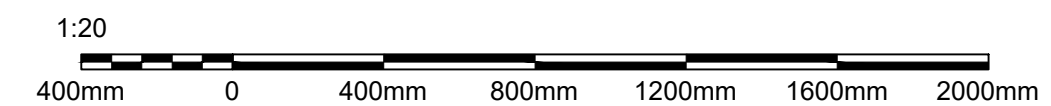
Front view

Side view

Rear view



Top view



- NOTES:
1. DRAWING ARE CONCEPTUAL ONLY AND DETAILED DESIGN TO BE DEVELOPED BY TSG
 2. DRAWING IS FOR PLANNING AND INFORMATION ONLY AND NOT TO BE USED FOR INSTALLATION/CONSTRUCTION.
 3. DIMENTIONES NEED TO BE CHECKED ON SITE.

PLANNING DRAWING

REV	DATE	DESCRIPTION	BY

REVISION

2 Hayhill Industrial Estate
Barrow upon Soar
Leicestershire
LE12 8LD

Phone: +44 (0) 1162 437 476

COPYRIGHT of TSG UK Solutions Ltd. All right reserved. Details of this drawing must not be reproduced or copied without prior written consent. Do not scale from this drawing, use figured dimensions only. All dimensions to be checked on site.

Driving New Energies

Client

LEAP24

SITE NAME

To be used on LEAP24 sites

General drawing

Drawing Title

Alpitronic HYC 300kw charger

General Arrangement drawing

Drawn By	Drawing Status	Date	Revision
AWOU	Planning drawing	20-09-2023	-
Checked By	Drawing No.	Scale	Media
TSG	45402-GA-ALP01	1:20	A2