



7 TYNE HOUSE
Haddington, EH41 4DA

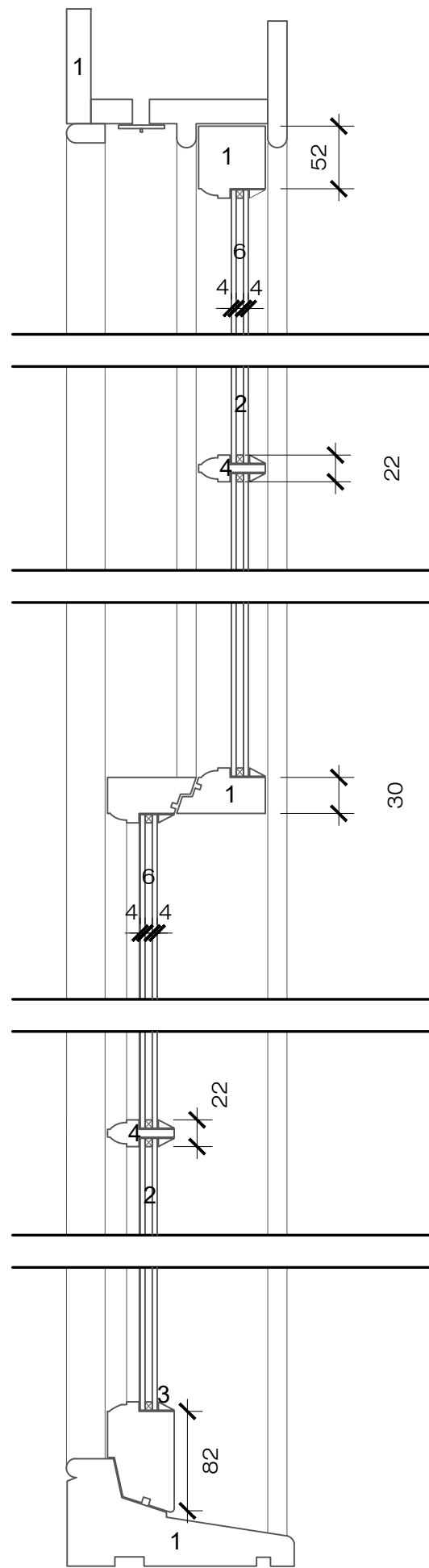
DRAWING KEY

- EXISTING
- NEW WORK
- COMMUNAL BOUNDARY
- APPLICATION SITE

REVISIONS

A 13.11.23 Window colour added
Components Schedule:

- 1 Timber Sash and Case window frame matching 6 over 6 window configuration and frame dimensions with paint finish - colour white to match existing.
- 2 4mm double glazed unit with 6mm cavity.
- 3 External glass putty - paint finish.
- 4 Timber Astragals to match existing dimensions.



PROPOSED WINDOW SECTION

STAGE | PLANNING

CLIENT | MR & MRS TURNBULL

DRAWING NUMBER | 23100(PL)31-02 Rev A

DRAWN BY | GJ

JONES ROBBINS TOBIN

architecture | interiors | products
info@jonesrobbins.com
www.jonesrobbins.com

01 Proposed Window Section - Ref W-01,02,03 & 04

