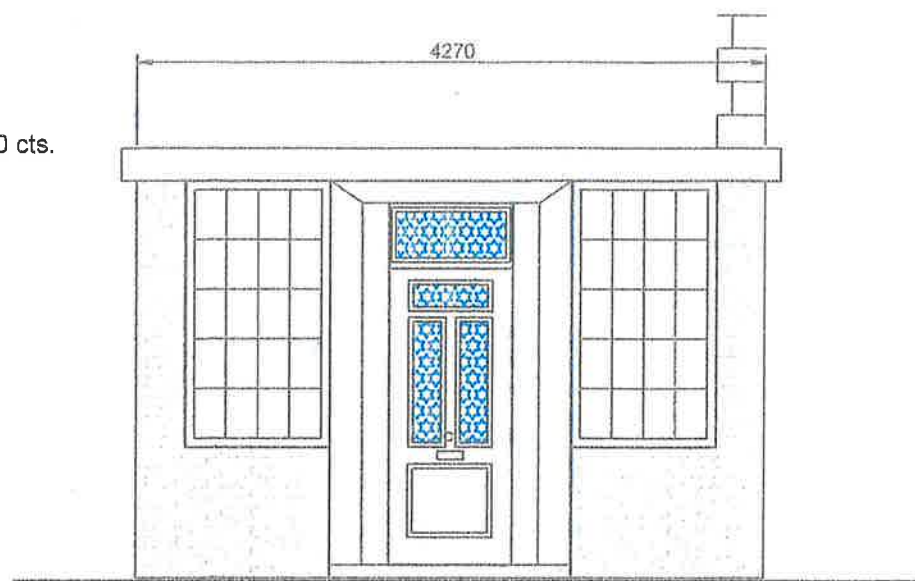


**SECTION**

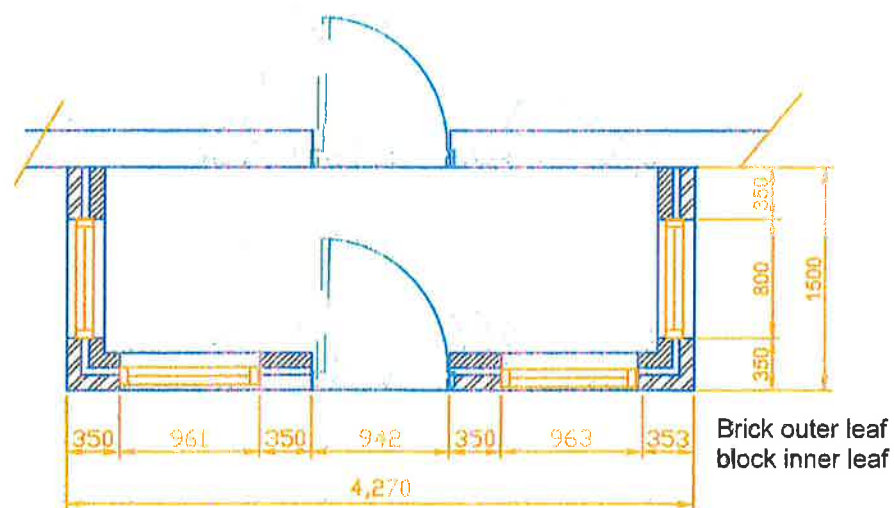


**FRONT ELEVATION**



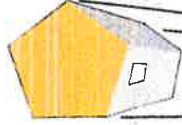
**ROOF PLAN**

upvc gutter & fascia  
on timber support  
upvc gutter falls  
to outlet discharging  
to garden area



**PLAN LAYOUT**

REVISION

 <b>DESIGN SERVICES</b>		
Client Mr C.Roach	Address 15 Belvedere Road Ainsdale Southport PR8	
Description Proposed front Porch Construction Details		
Date Oct 23	Drng.No. 002	REV.
Scale. as shown		