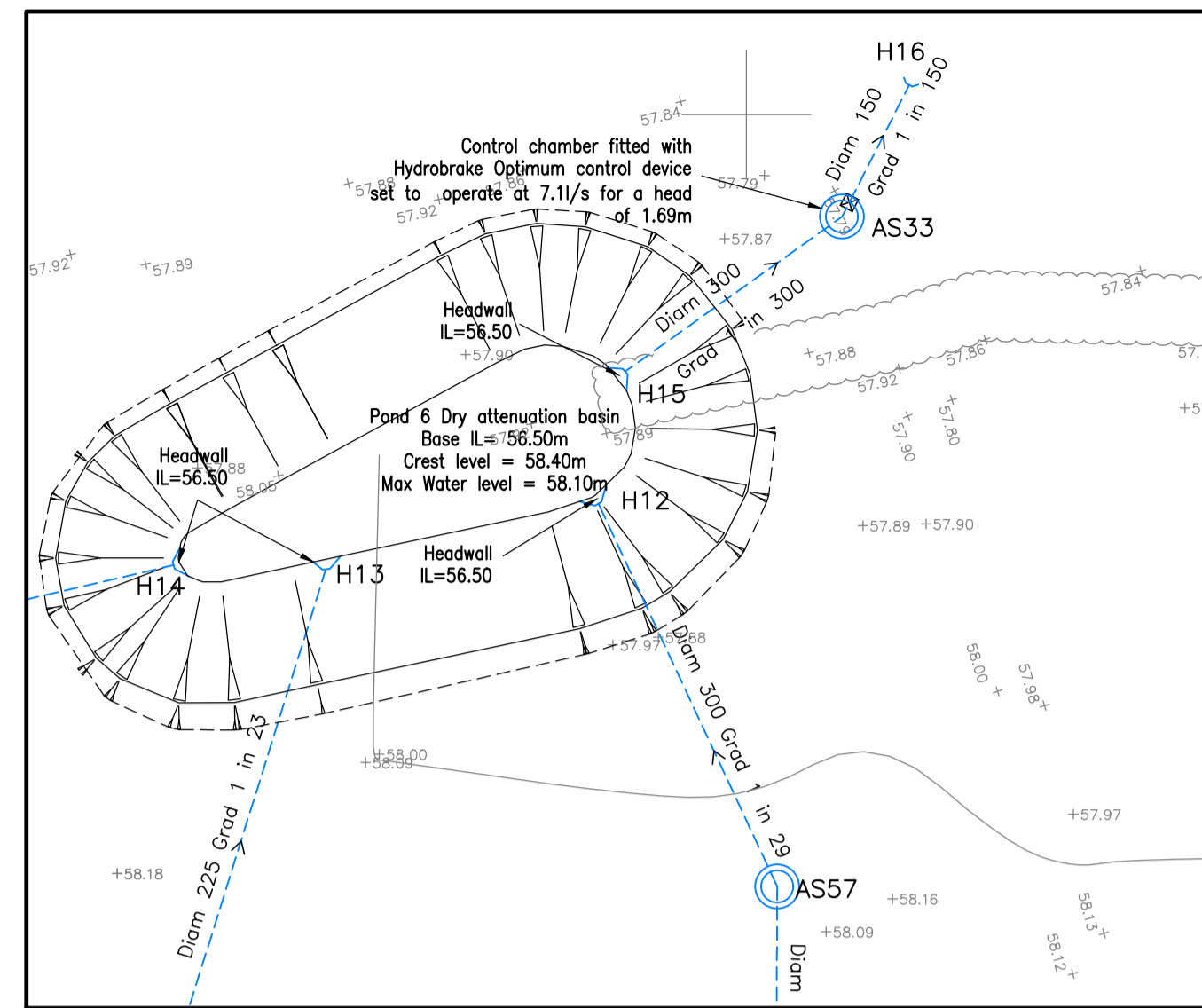
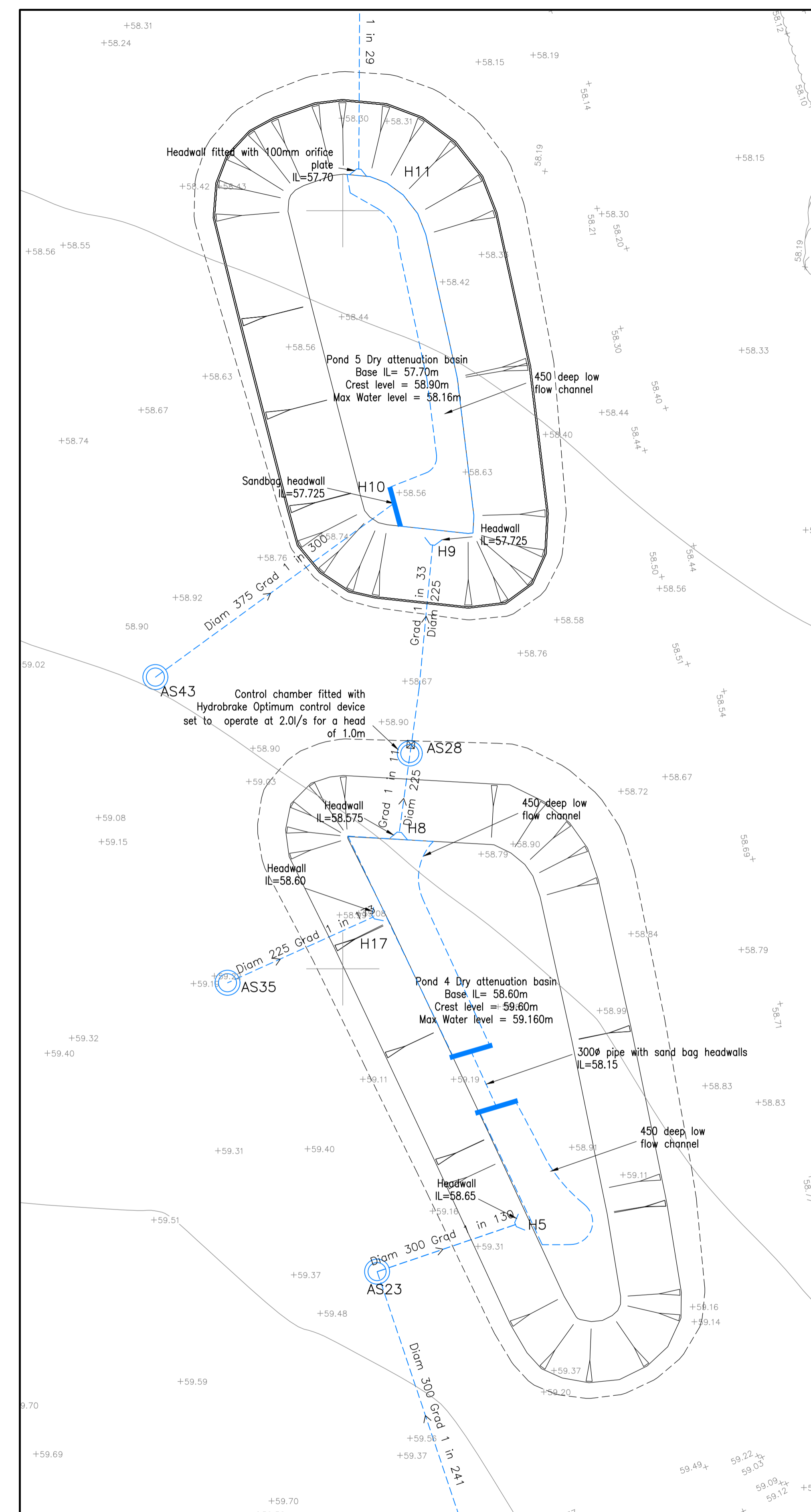


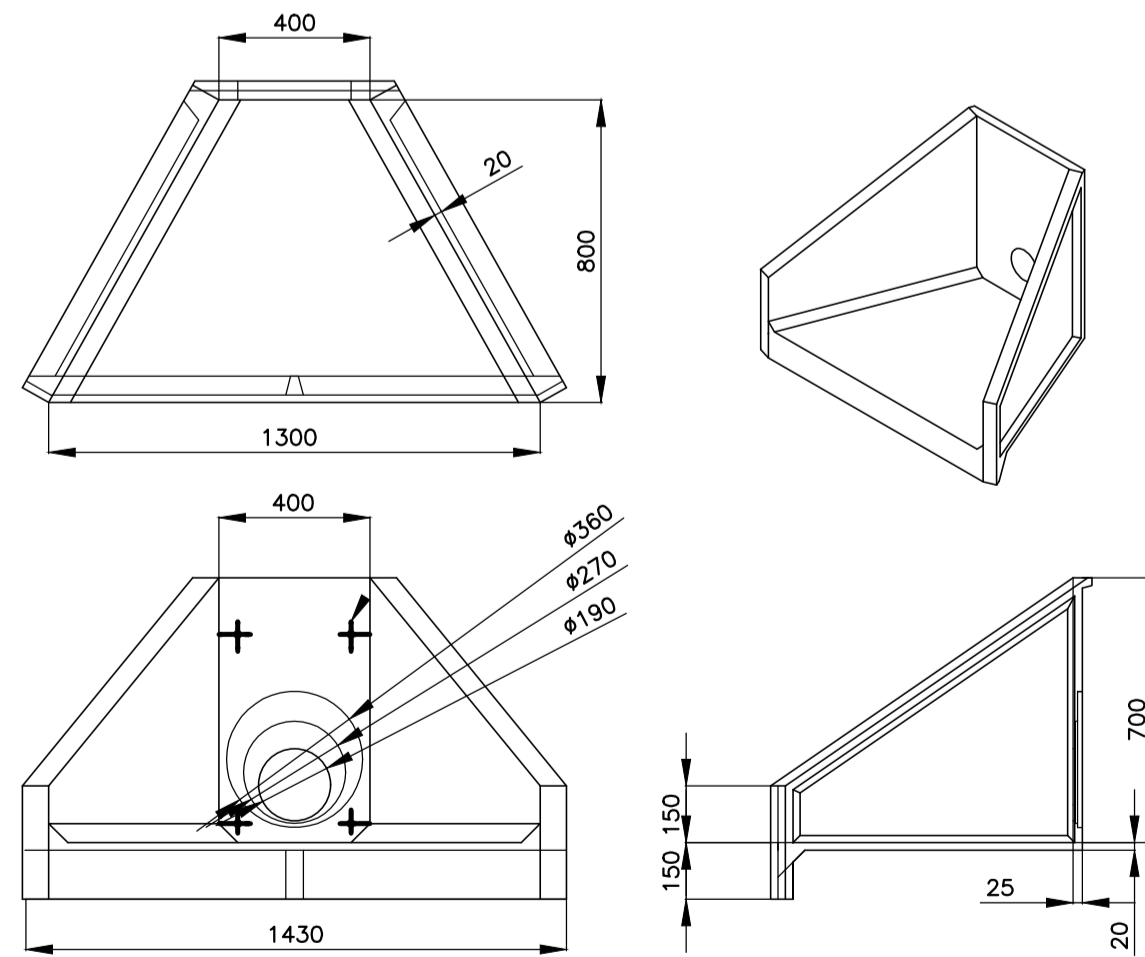
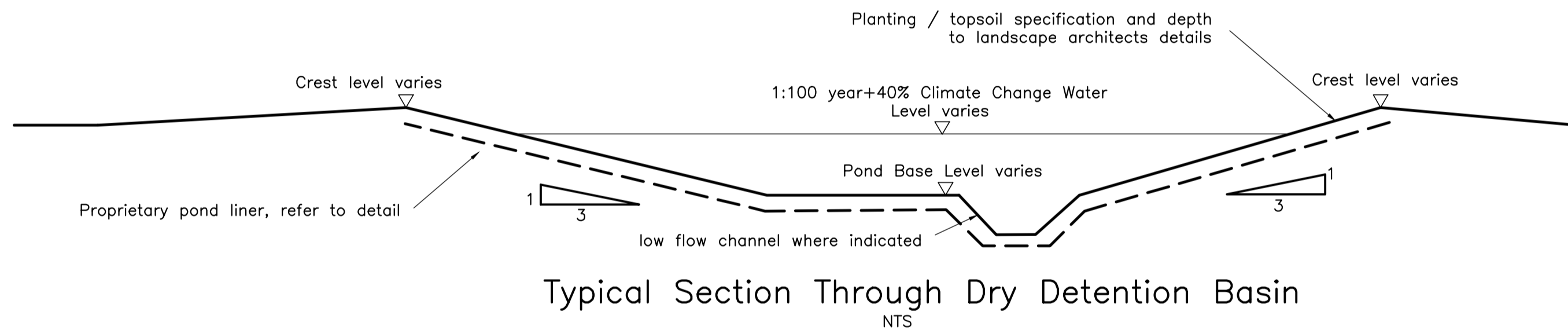
Detention Basin 1



Detention Basin 4



Detention Basins 2-3

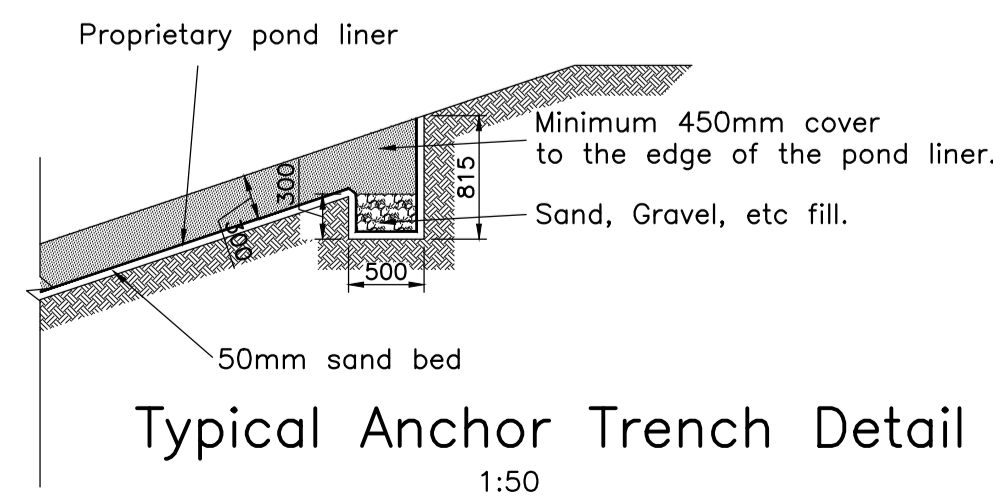


Althon H3G Specification Information

A one piece glass reinforced headwall with an opening to suit 150mm diameter pipes and knockout webs to enlarge to 225mm and 300mm diameter pipes.

Althon H3G Headwall Installation

Units should be bedded on minimum 100mm of semi-dry concrete. Sit the headwall level or with a slight fall 1:50 from pipe to spill mouth. Material: Glass Reinforced concrete Weight approximately 150kg All dimensions in mm



REV	DATE	AMENDMENT	BY	CHKD
C	18.09.23	Basins updated to latest layout	LW	LW
B	11.11.22	Pond inverts updated	LW	LW
A	27.06.22	Ponds 2-6 added	DB	LW

STATUS **Tender**

PROJECT
**Ockham Road
East Horsley**

CLIENT
**Taylor
Wimpey**

DRAWING
**Detention Basin
Details**

DATE 04.05.22 DRAWN BY DJB
SCALES (ØA1)- 1:250 CHECKED BY LRW

DRG NO. **C7476/CE13C**

Walker Associates Consulting Limited
Structural and Civil Engineers
13 Capricorn Centre
Cranes Farm Road
Baldiston, Essex
SS14 3JF
01268 530 500
walker-associates.co.uk