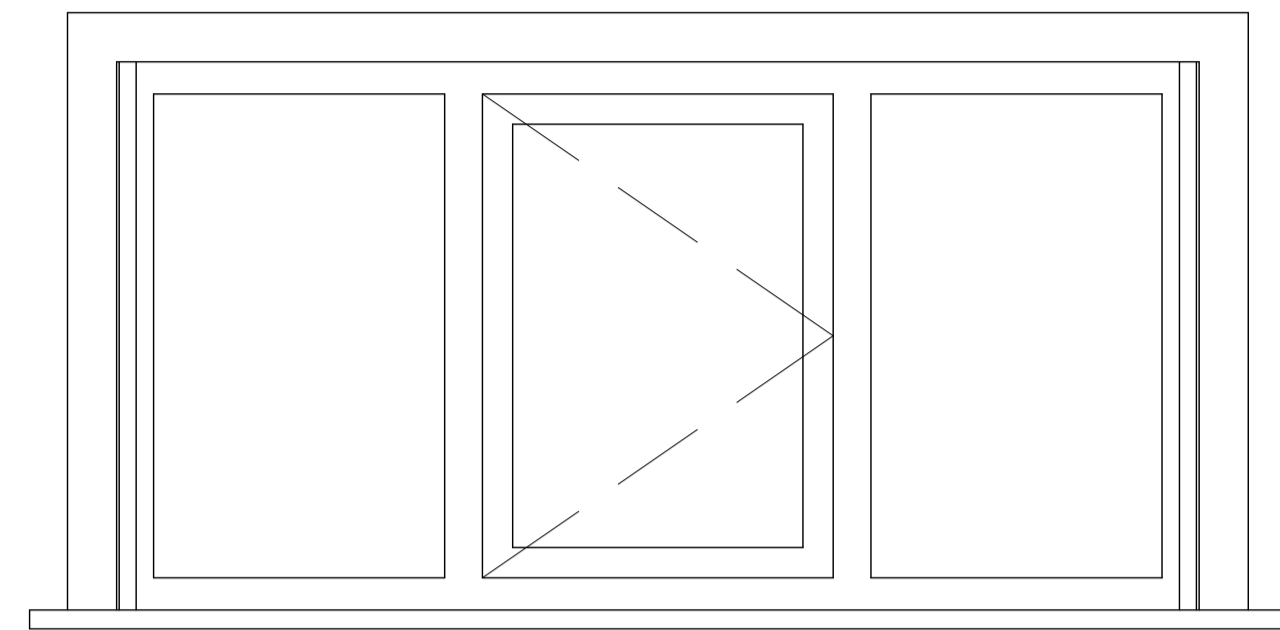
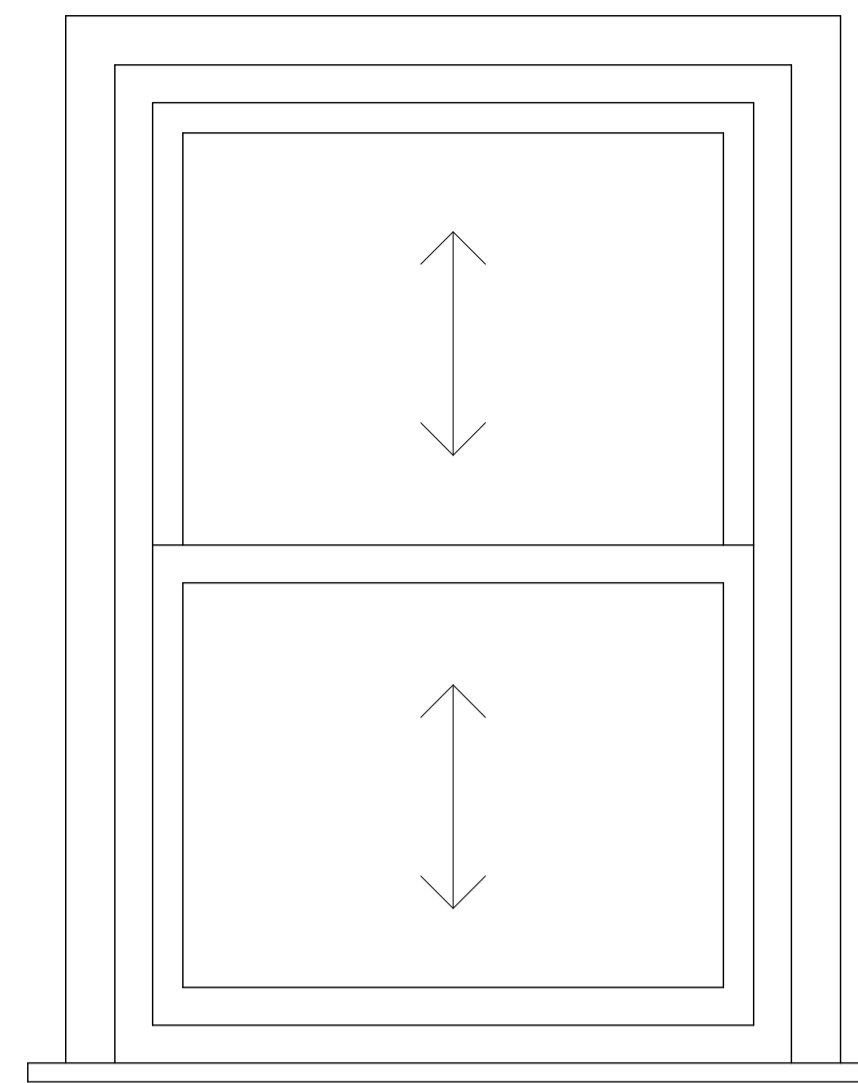


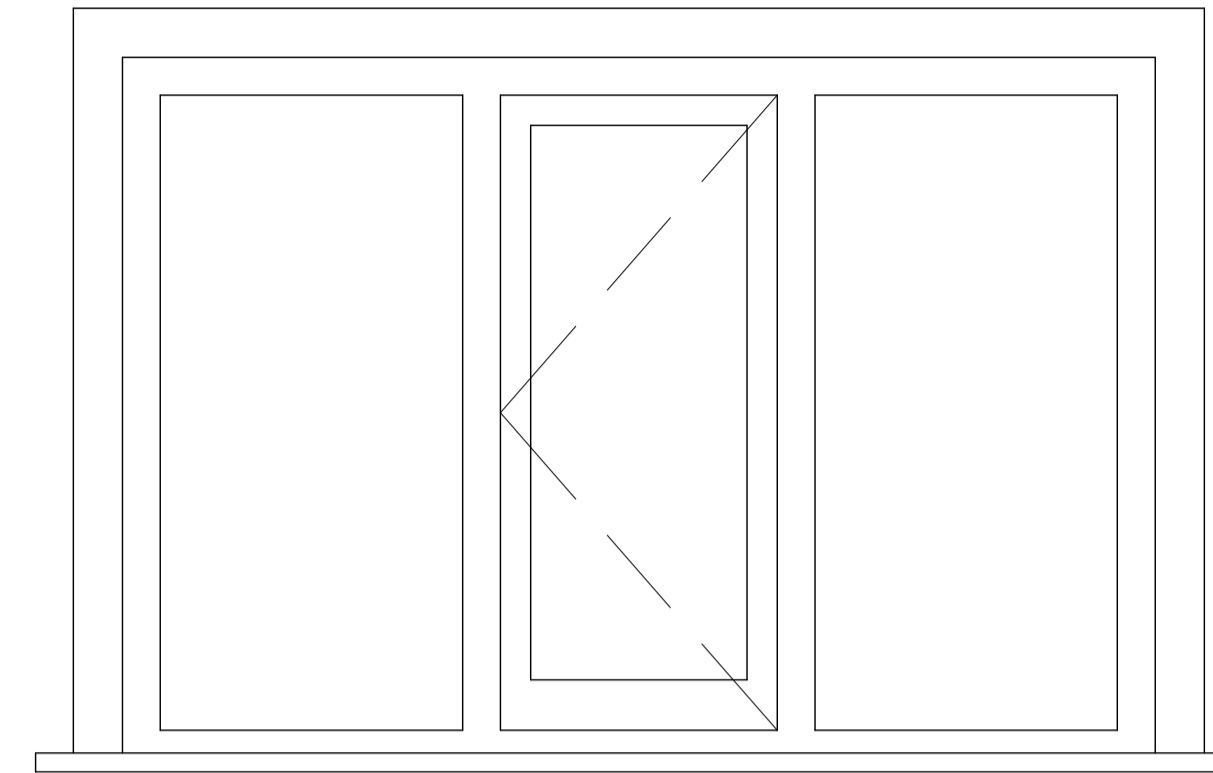
W1:3
Fit Slimline 45 (HC).



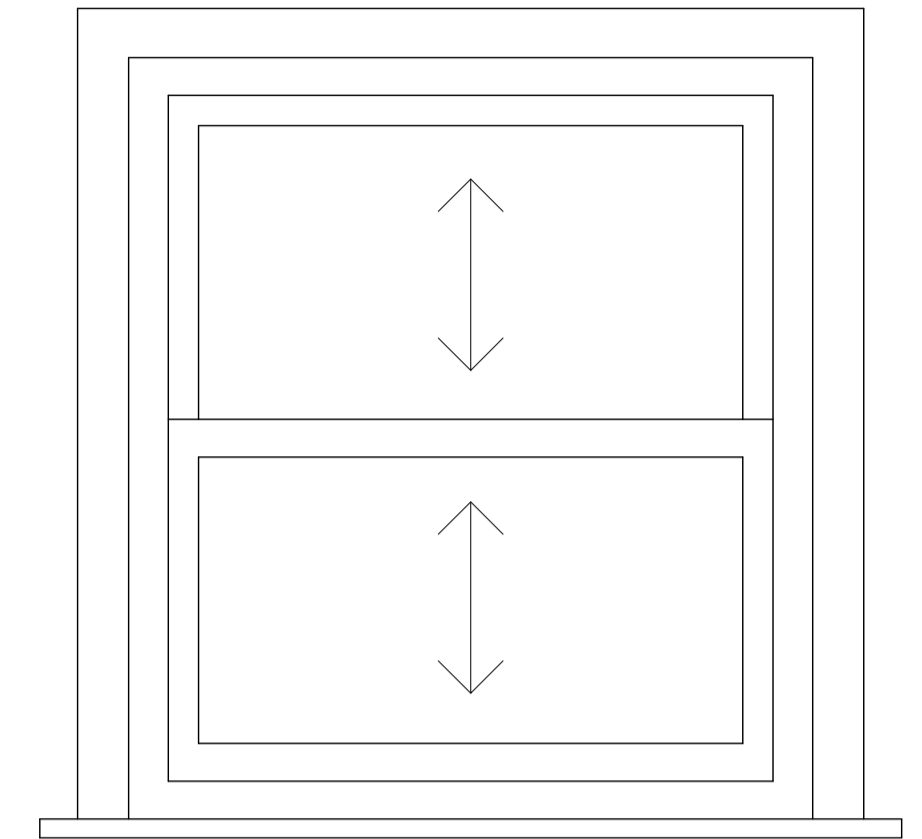
W1:4
Fit Slimline 45 (HC).



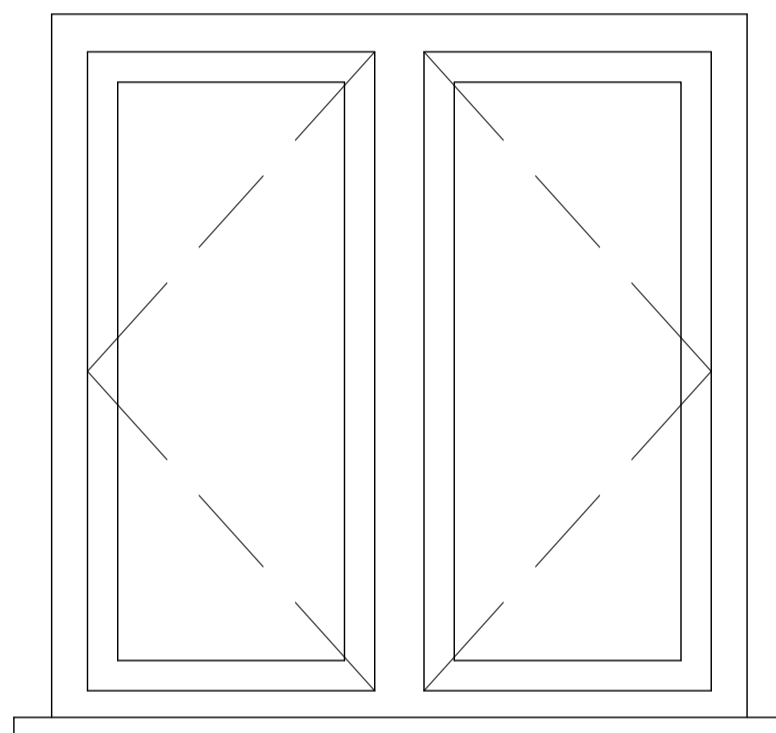
W1:5, 6 and 7
Fit Slimline 20 (VS).



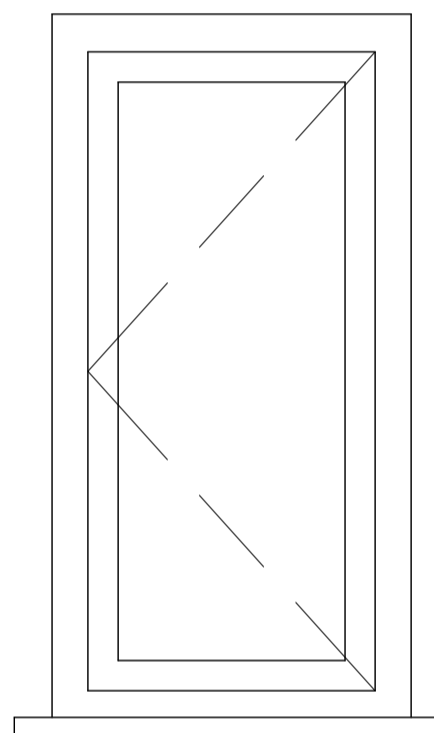
W1:8
Fit Slimline 45 (HC).
Note, window is not square.



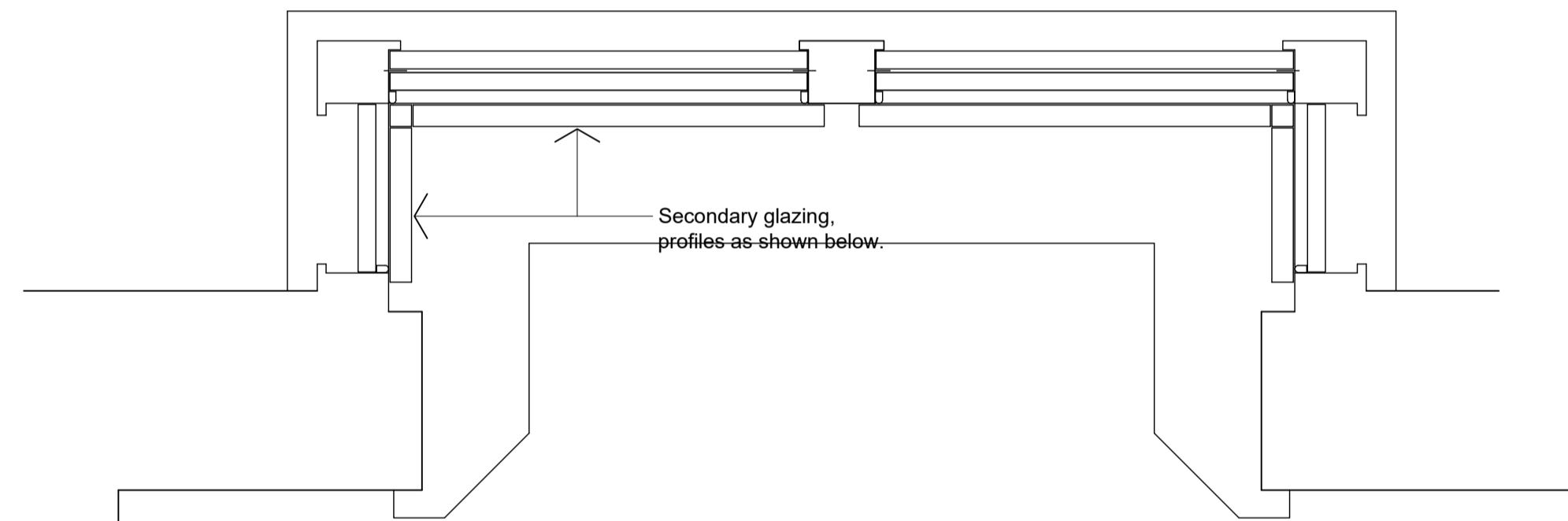
W1:9
Fit Slimline 20 (VS).



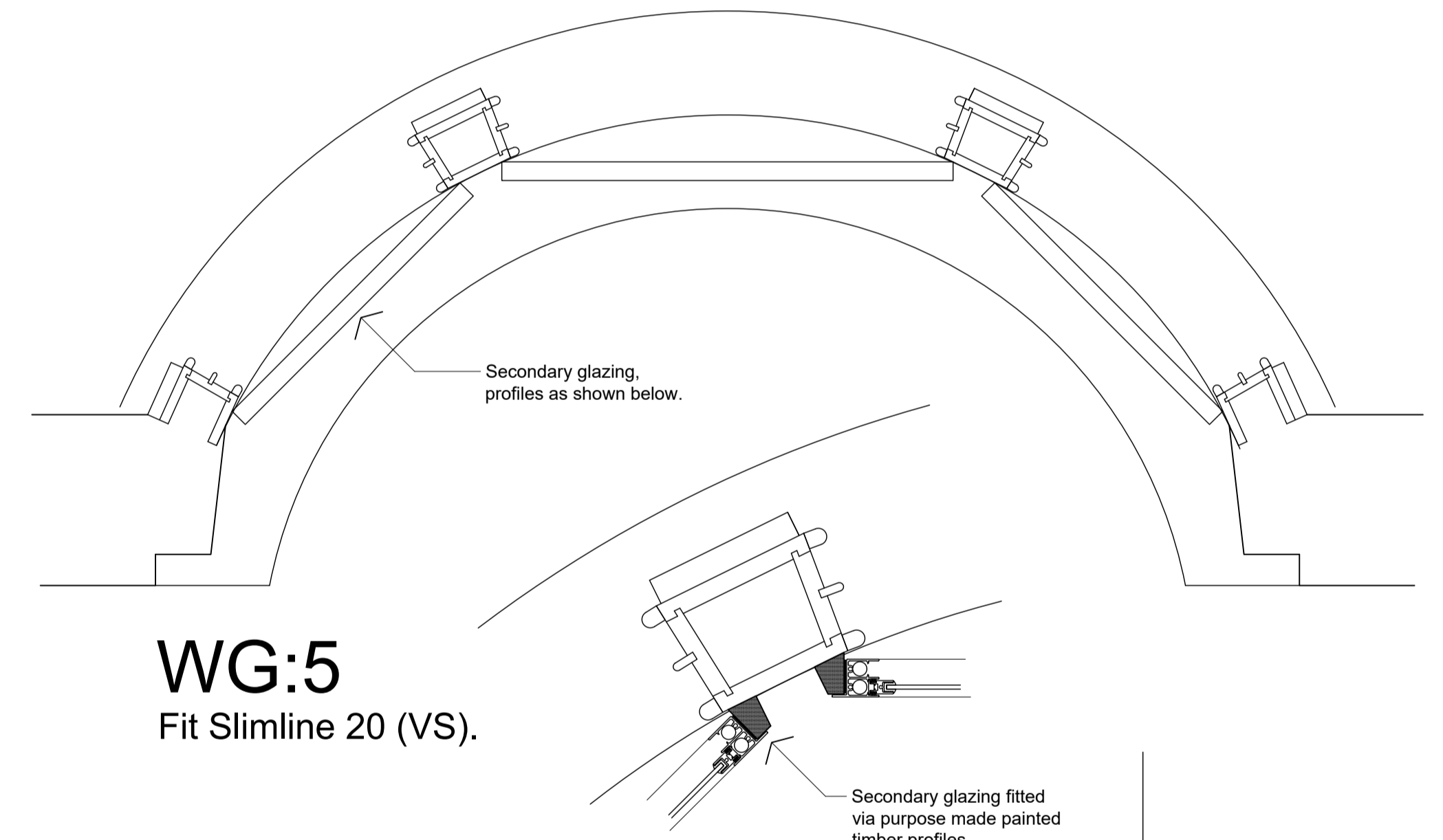
WG:2 and W1:2
Existing sealed units.



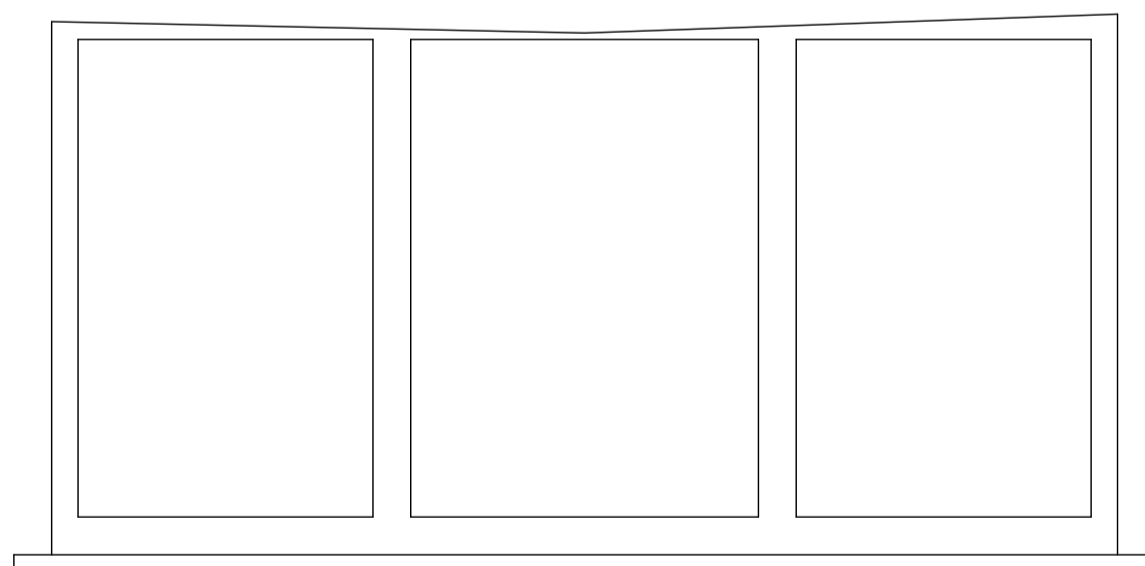
WG:1 and W1:1
Existing sealed units.



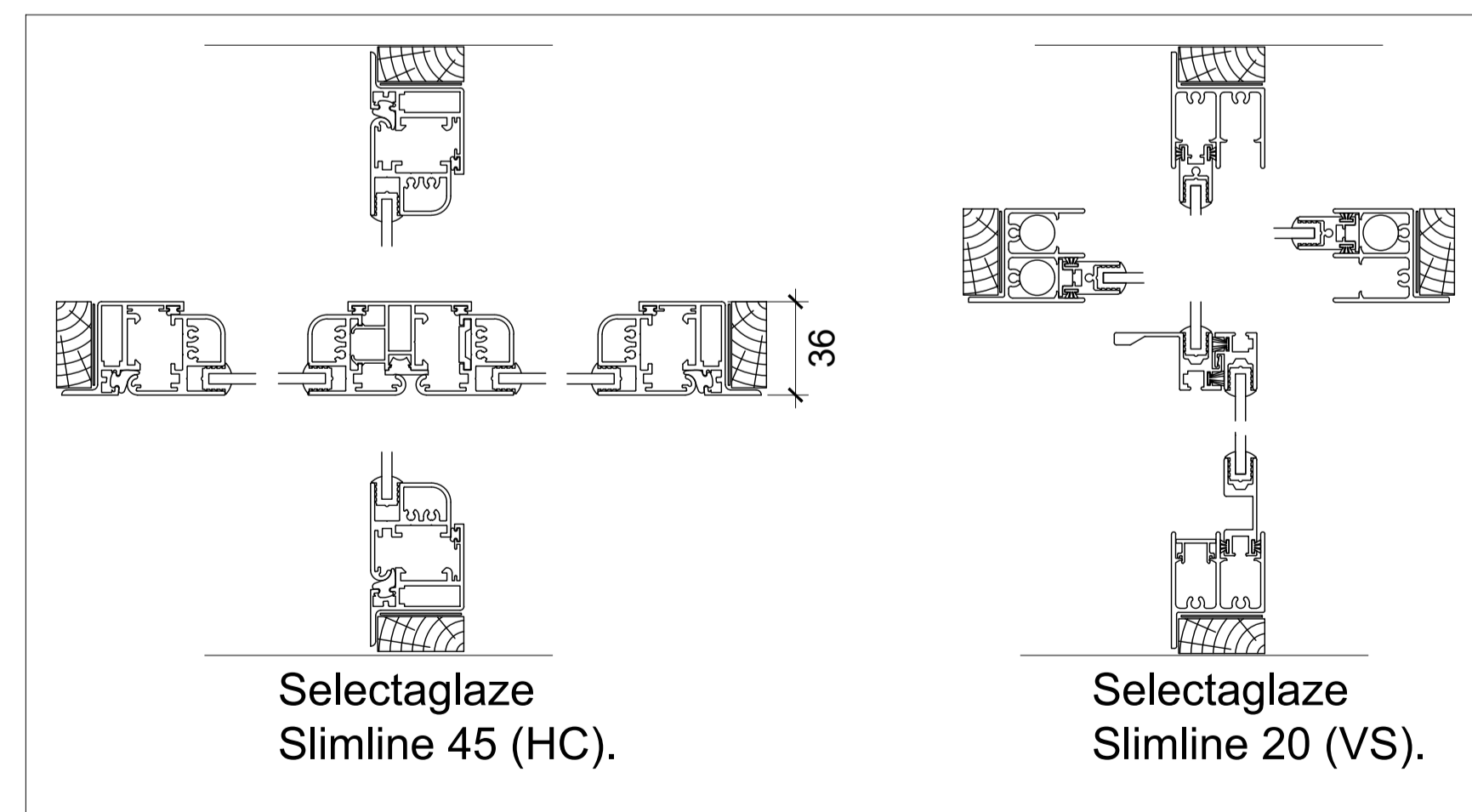
WG:4
Fit Slimline 20 (VS).



WG:5
Fit Slimline 20 (VS).



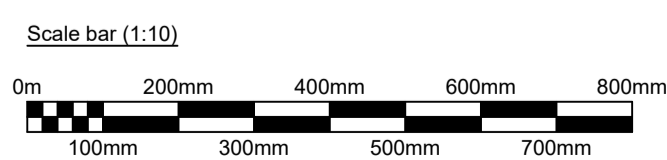
WG:3
Remove obscure glass, reinstate opening light to match W1:4 and fit Slimline 45 (HC) secondary glazing.



Selectagaze
Slimline 45 (HC).

Selectagaze
Slimline 20 (VS).

ALL WINDOWS.
Refurbish all windows, to include repairs to frames, sashes and casements, replacing broken glass, replacing missing or loose putty. Lubricate hinges and replace missing or defective handles and stays. Prepare and redecorate internally and externally.



Rev.	Description	Drawn	Check	Date
Revisions				

BBF Fielding
Architecture
41 CHOBHAM ROAD, WOKING, SURREY. GU21 6JD
Tel : 01483 764407 email : mail@bbf-fielding.co.uk

CLIENT
MR M. HAWKINS

PROJECT
RIO HOUSE
HIGH STREET, RIPLEY
SURREY GU23 6AE

DRAWING TITLE
WINDOWS AND SECONDARY
GLAZING.

SCALE
1 : 10 @ A1

DATE
MARCH 2023

JOB / DRAWING No.
21256 [PL] 07

