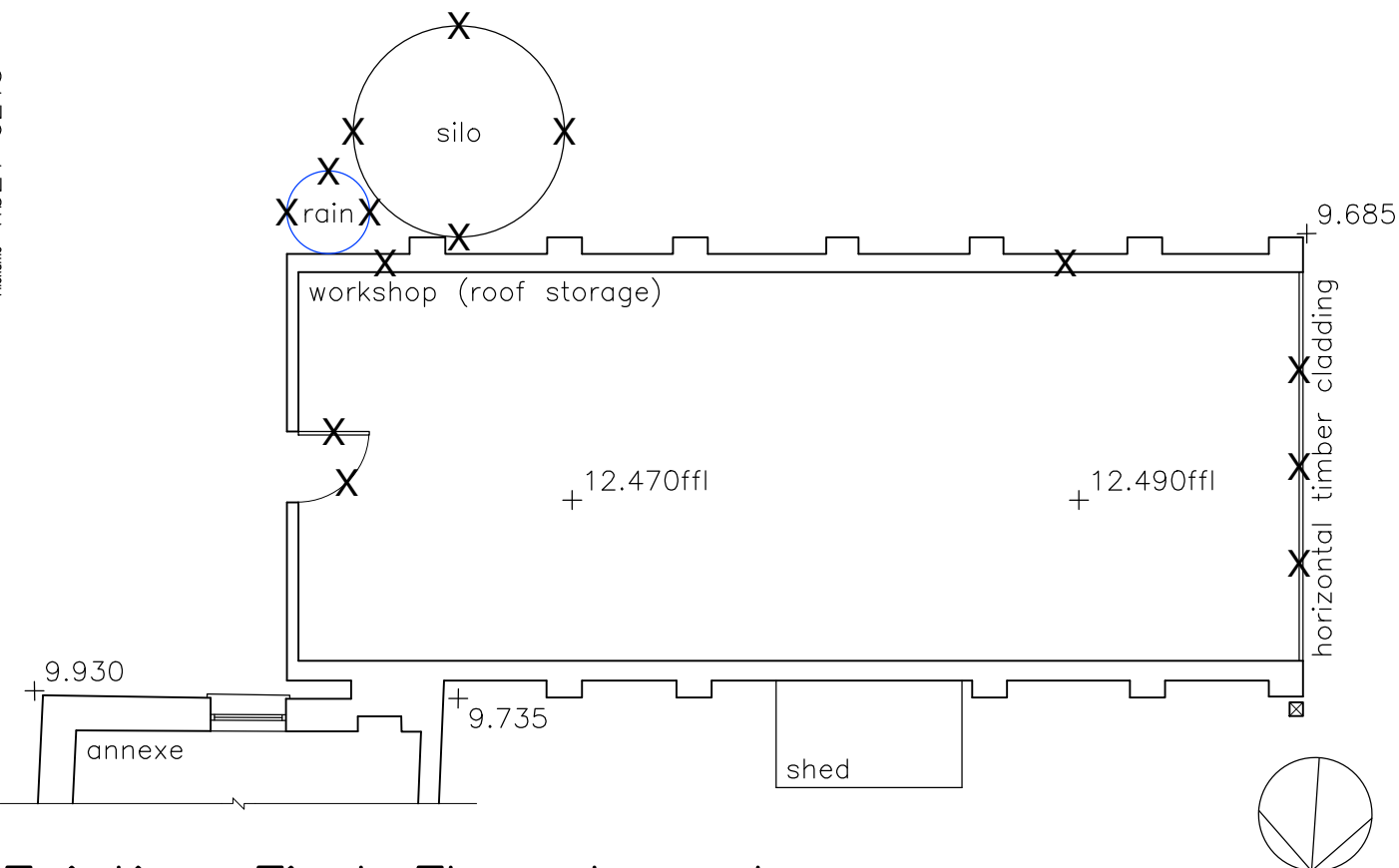


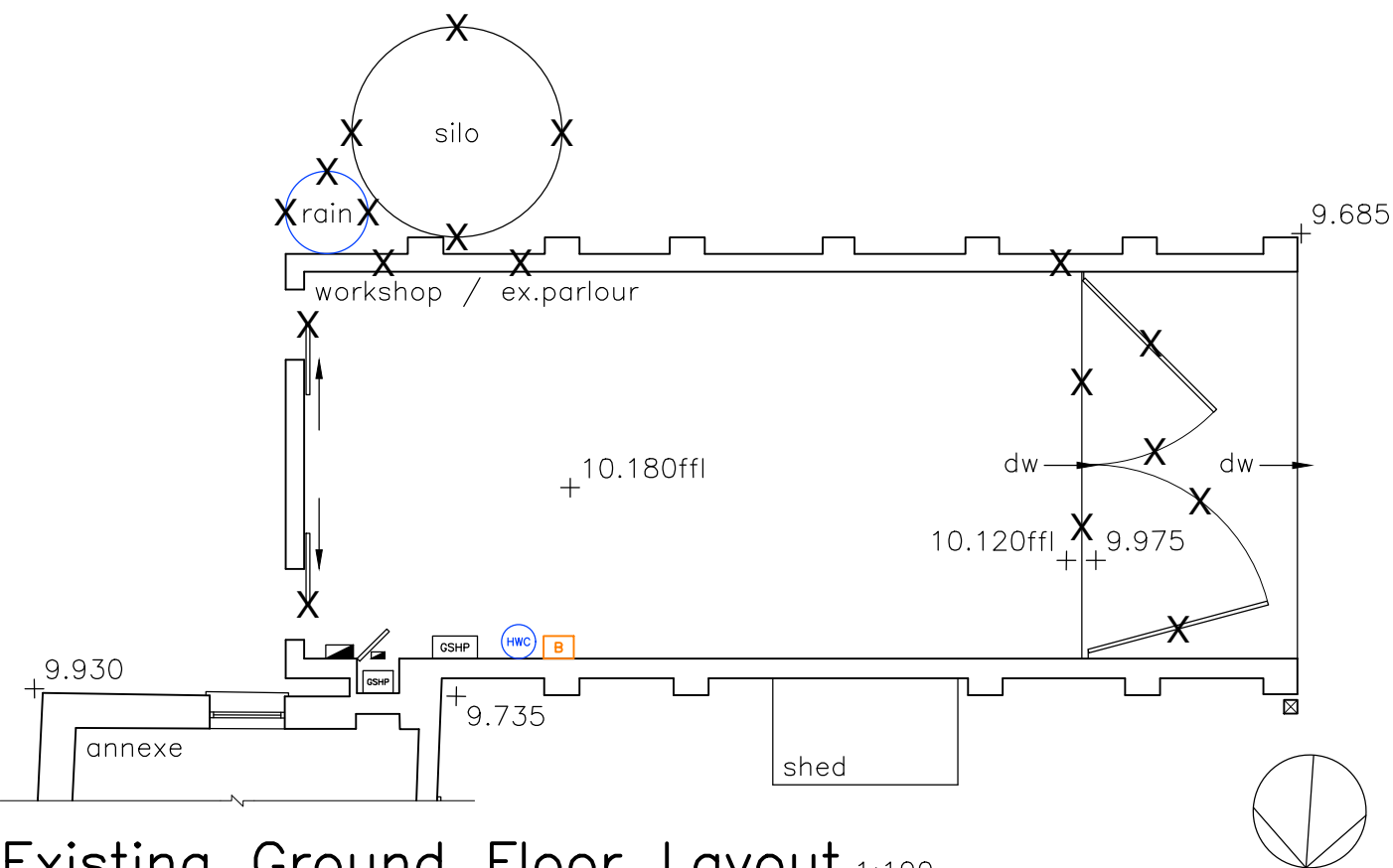
all dimensions in millimetres  
do not scale for construction purposes

THIS DRAWING IS FULLSIZE AT A3  
planning drawing only - do NOT build from this drawing

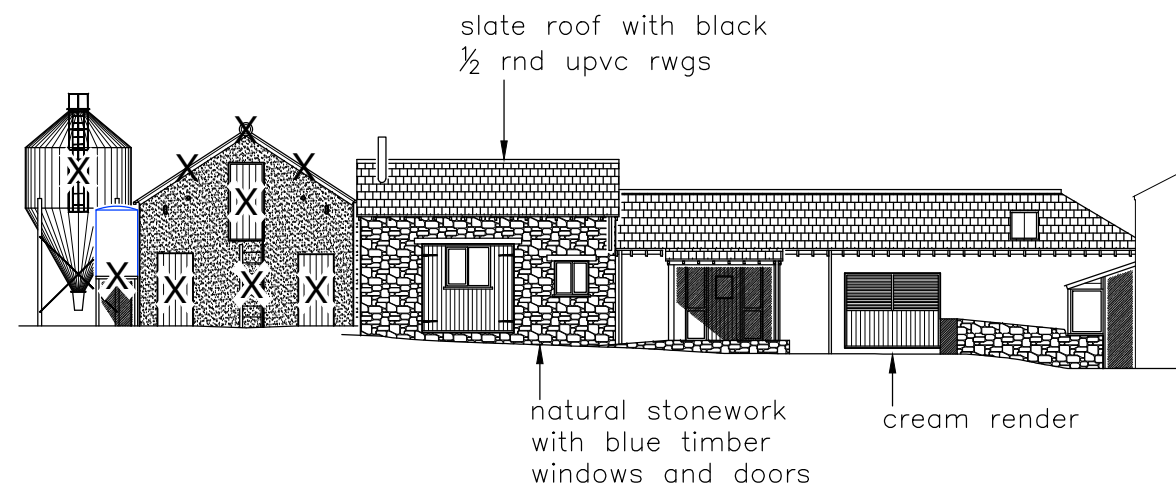
Filename nb21 0215



Existing First Floor Layout 1:100

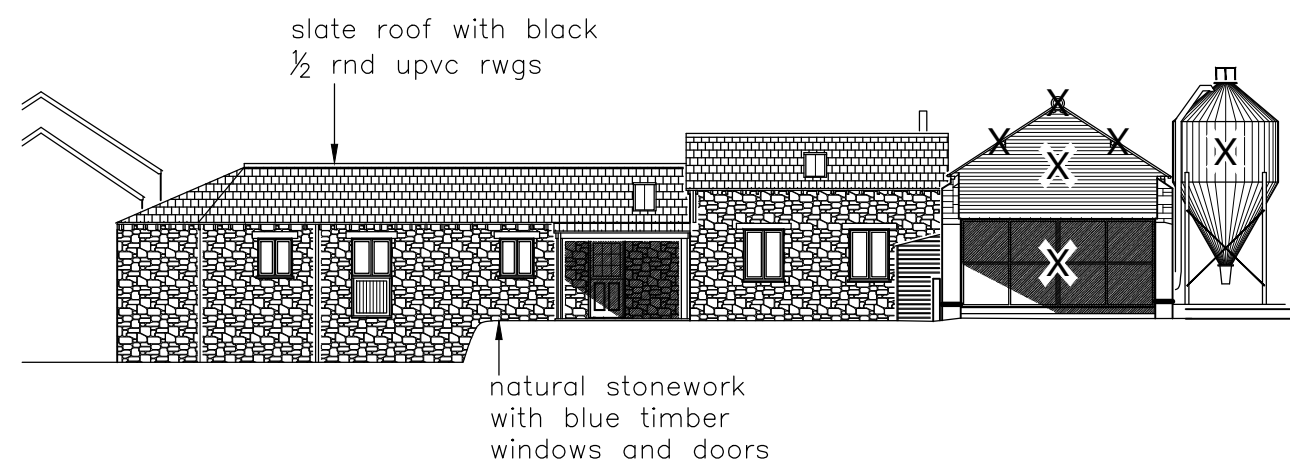


Existing Ground Floor Layout 1:100

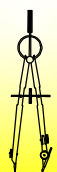
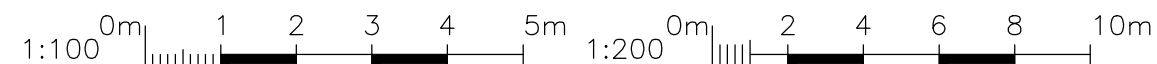


X denotes item to be removed or demolished

Existing Complete Front Elevation (East) 1:200



Existing Complete Rear Elevation (West) 1:200



Andy Paton MCIAT  
AJ Design  
16 Treburley Close, Treburley, LAUNCESTON  
tel: 01579 370567  
email: andy.ajdesign@btinternet.com

Project  
Conversion of ex. Milking Parlour at  
Trekener Farm, Trekener  
LAUNCESTON, PL15 9PH  
for Mr Barnes

Dwg title  
Existing Floor Layouts  
Existing Complete Front and Rear Elevations

dwg no	NB21 0215 - 04	Initial
scale	as shown	date
		29/03/22
drawn	AJPaton	chkd.

This drawing is copyright

web [www.ajdesignonline.co.uk](http://www.ajdesignonline.co.uk)