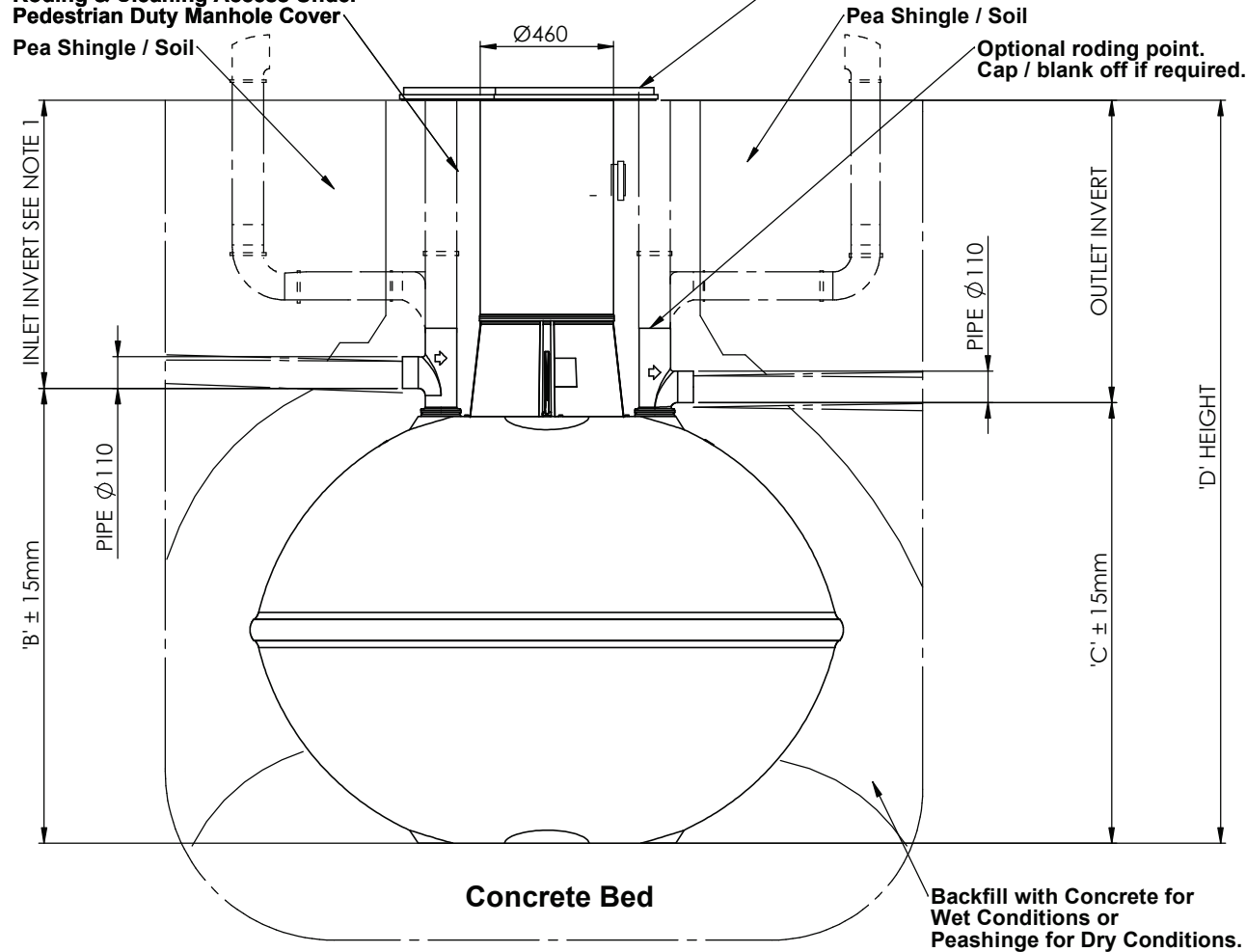


**Notes:**

1. Tanks have an inlet invert depth of 1.0m. Upon request tanks may have an invert depth of 1.5m. Do not extend the tank neck.
2. This drawing should be used for dimensional information only. Refer to installation guidelines.
3. Inlet and outlet on septic tank should be suitably vented. Position to suit specific site conditions.
4. Confirm with local building regulations if additional venting is required.
5. If backfilling with peashingle the tank must be strapped down using holding down eyes into the concrete base.

**Roding & Cleaning Access Under Pedestrian Duty Manhole Cover**

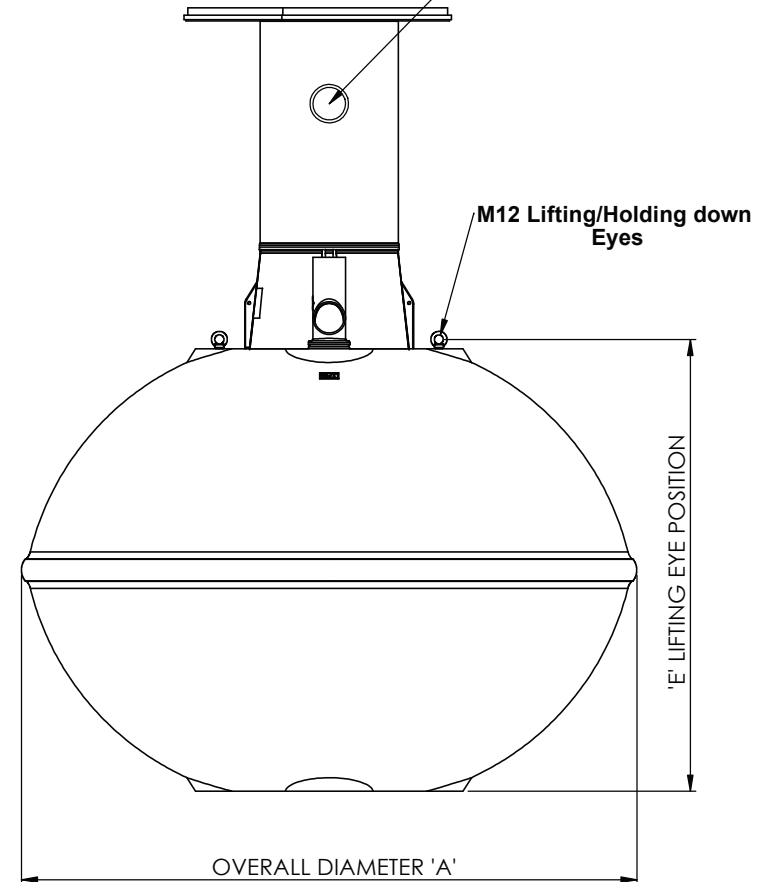
Pea Shingle / Soil



Capacity		Approx Weight-Empty		Dimensions			
Litres	Kg	A' Ø	B'	C'	D'	E'	
2800	85	2075	1599	1549	2599	1520	
3800	115	2075	1819	1769	2810	1740	
4600	125	2084	1984	1934	2984	1905	

**Note:** Manhole Cover and Frame 600 x 600mm Pedestrian Duty.

Alternative Vent Connection



M12 Lifting/Holding down Eyes

'E' LIFTING EYE POSITION

OVERALL DIAMETER 'A'

Please Check with Environmental Treatment Systems Limited For The Latest Issue Of This Drawing				
Issue	Date	Drawn by	Approved by	Description
06	29/03/18	WMD		CC1418
05	17/03/17	WMD		CC1372
04	08/08/16	W.DYER		CC1331

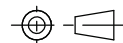
Material :  
 Finish :  
 Weight :  
 Modelled By :

Tolerance (unless stated) :  
 Thickness :  
 Surface Area : m<sup>2</sup>

**Drawing : DS0552P** Page 1 of 1  
 2800, 3800 & 4600 LITRE ALPHA SEPTIC TANKS

All Dimensions In mm

Scale: Do Not Scale



Third Angle Projection

Y:\Drawing Data\02 - Sales Drawings\DS\DS - 05\DS0552P

Kingspan Environmental reserve the right to alter the details of this drawing without prior notice. This drawing is copyright and may not be reproduced or used without the written permission of Kingspan Environmental

