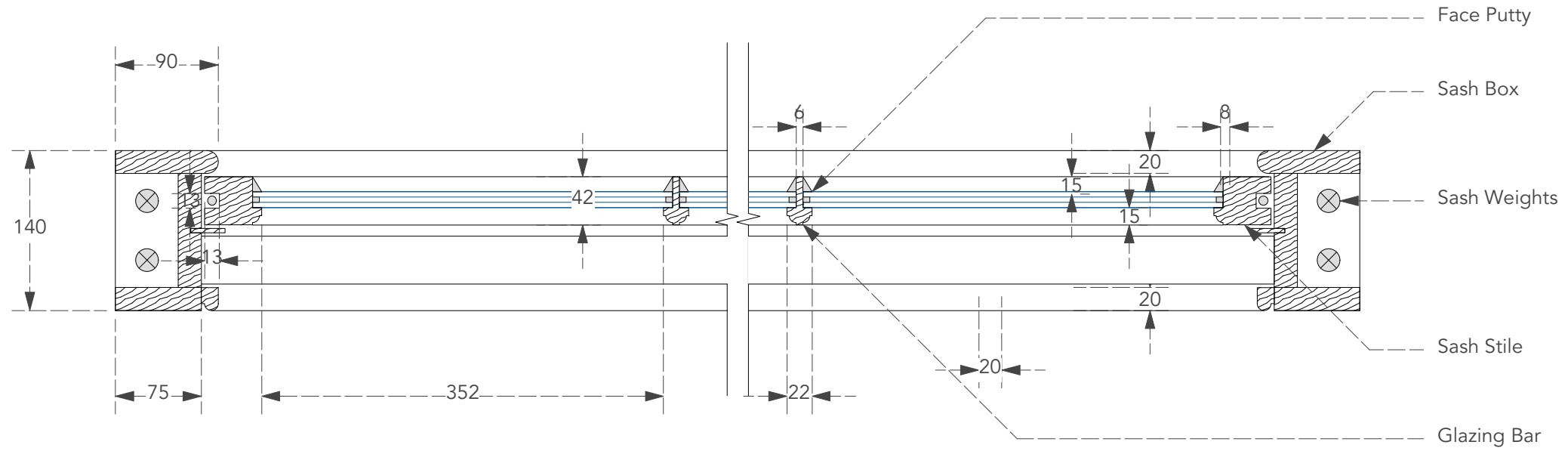
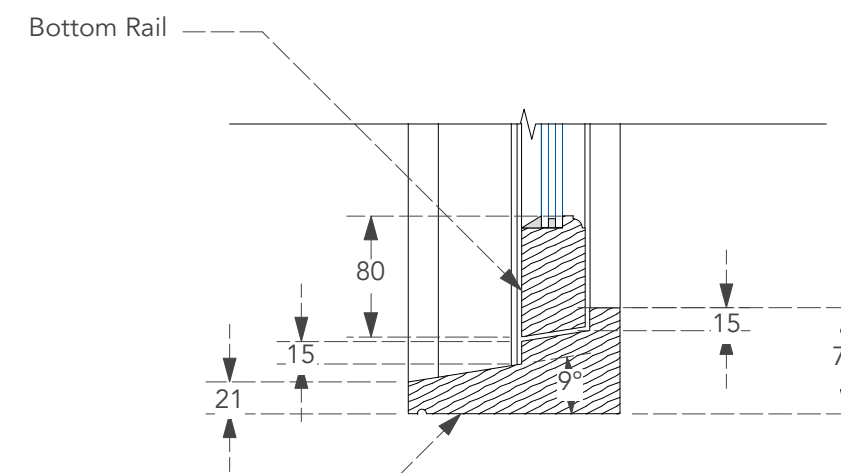
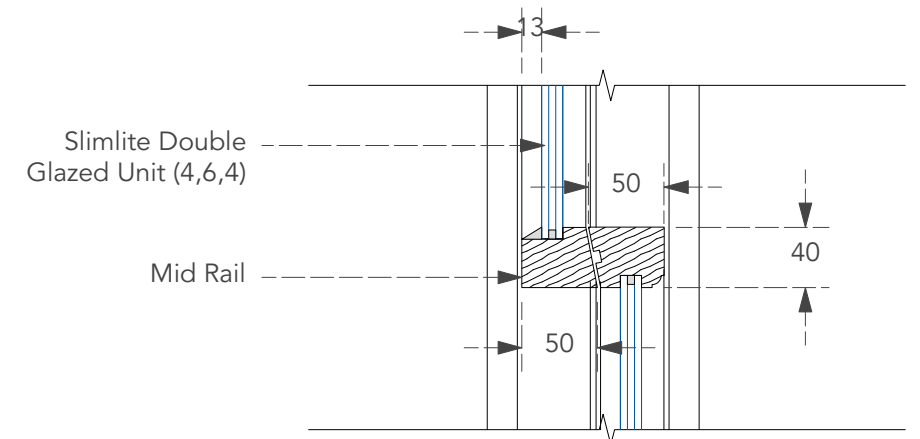
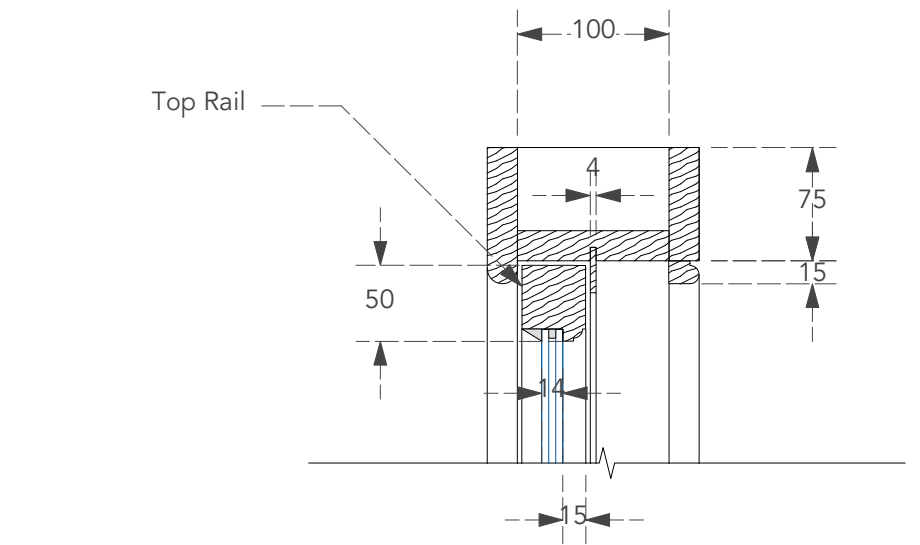


6 | Section

2 Key
Scale: 1:20



3 Plan Detail
Scale: 1:5



4 Section Detail
Scale: 1:5

Notes / Revisions
A Glazing bar arrangement revised

PROJECT		Sash Window Details		DRAWING		Proposed Sash Window Details	
PURPOSE OF ISSUE		For Approval		PROJECT No.		P43	
DRAWN BY	JB	DATE	10.10.22	DRAWING No.	P43 02	Rev	-
				Scale: 1:5 @ A3			