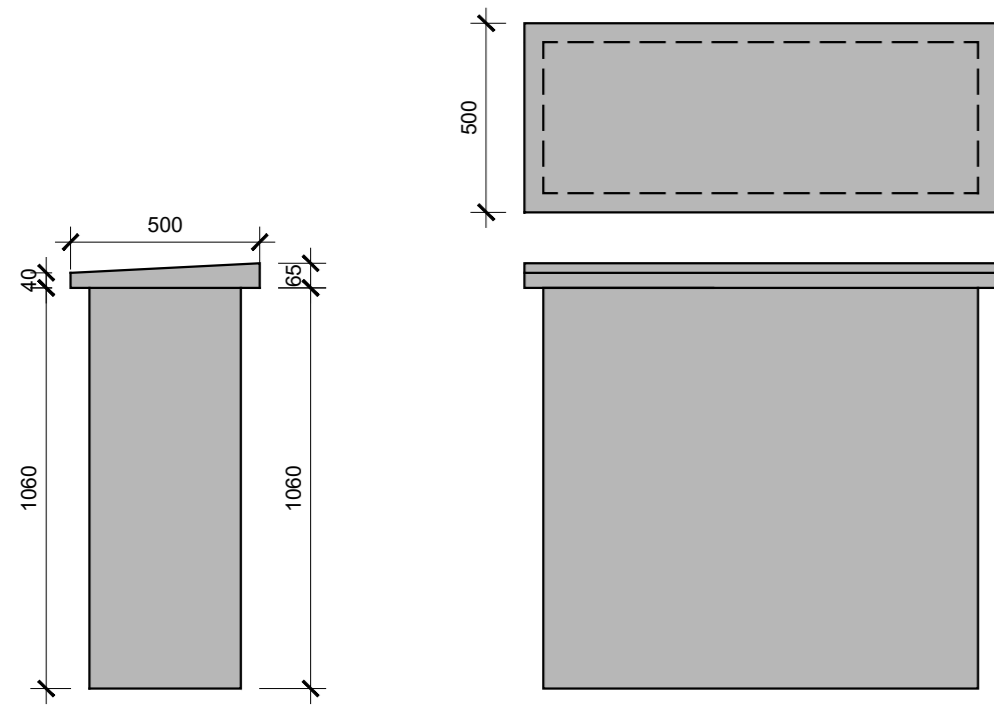
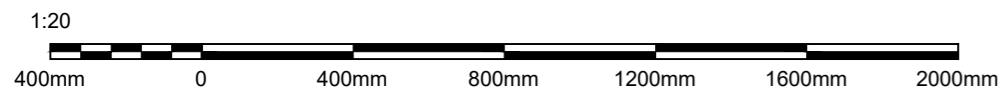


Gate Detail
Scale 1:20



Wall Detail
Scale 1:20



Rev:	Details:	Date:	By:

Project Proposed Tennis Pavilion	
At: Forest Villa, Forest Road, Kintore, Aberdeenshire, AB51 0YU	
For: Mr and Mrs Moir	
Drawing Detail Drawings for Gate and Stone Walls	
Scale As noted @ A2	Date November 2023
Revision -	Drg No 875 - 223
t-01464 841113 e-office@johnwinkdesign.co.uk Midtown of Foudland Glens of Foudland Huntly Aberdeenshire AB54 6AR	
<small>Note Dimensions must not be scaled from this drawing. If in any doubt - ask! All dimensions to be checked prior to work commencing or prior to any components being manufactured. Any discrepancy to be reported. All work and material to comply fully with all current British Standards Codes of Practice, building regulations, IEE regulations and all HSE acts.</small>	
This drawing is copyright of John Wink Design. ©	

**JOHN WINK
DESIGN**

CIAT
Registered Practice

CHARTERED
PRACTICE