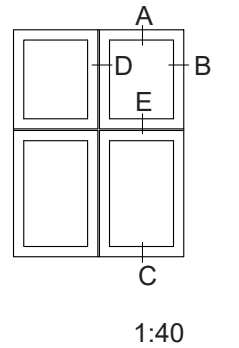
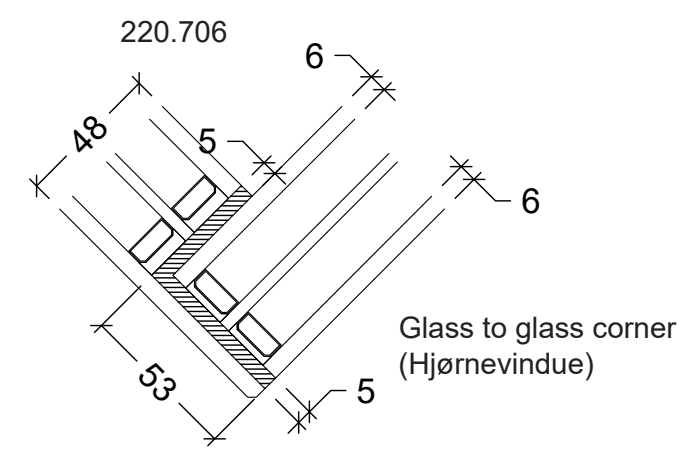
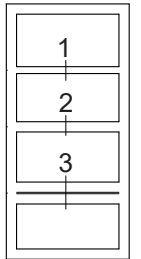
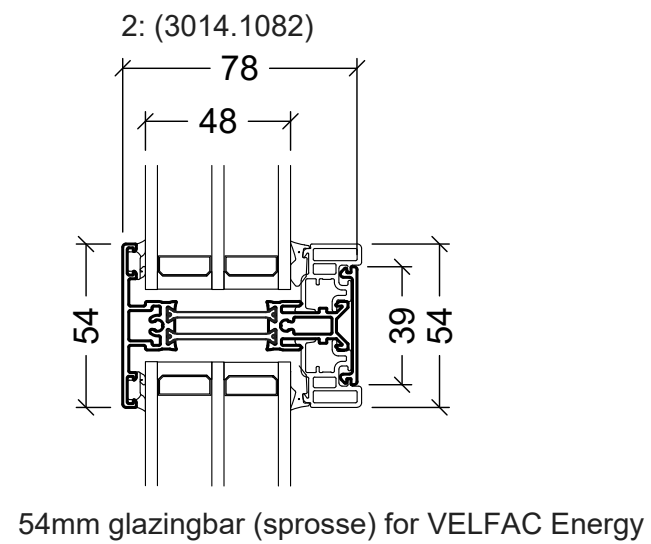
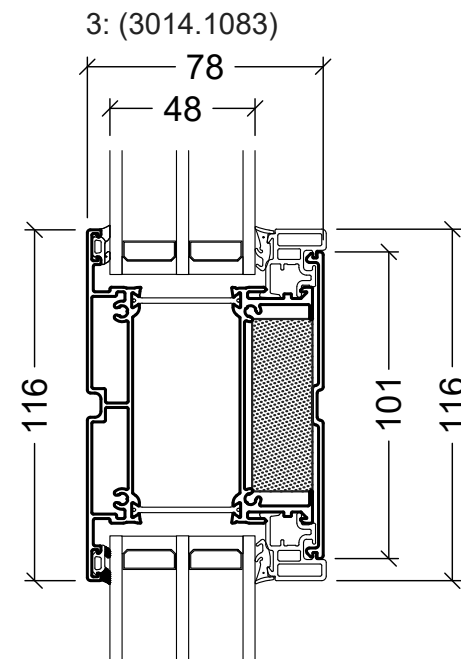
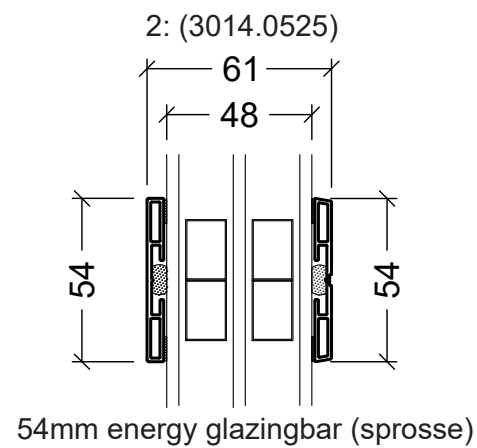
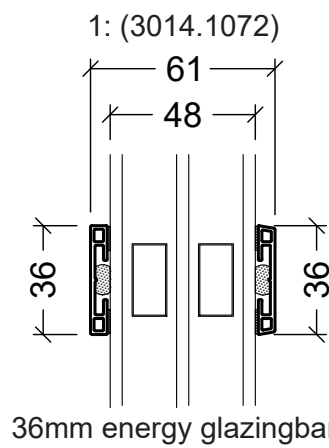



Note:
90mm mullion only available as fixed
90mm lodpost findes kun som fast post.

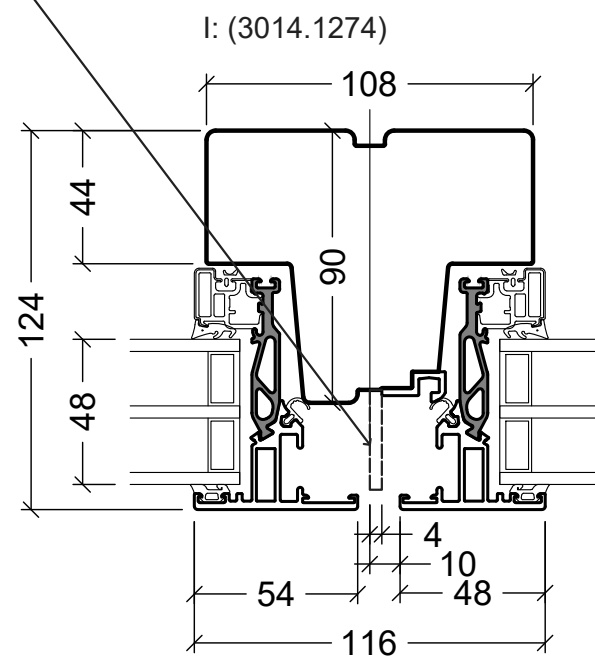
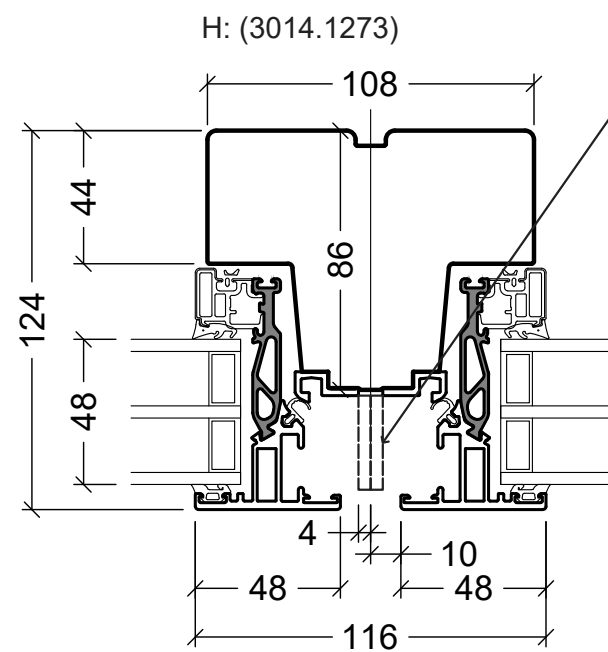
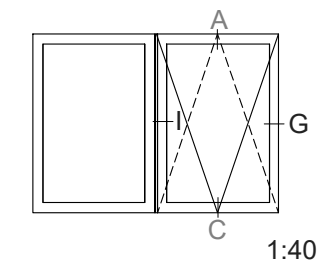
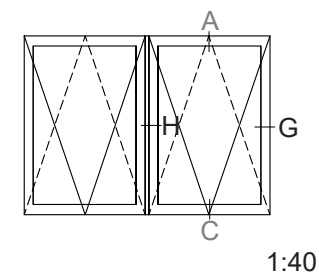
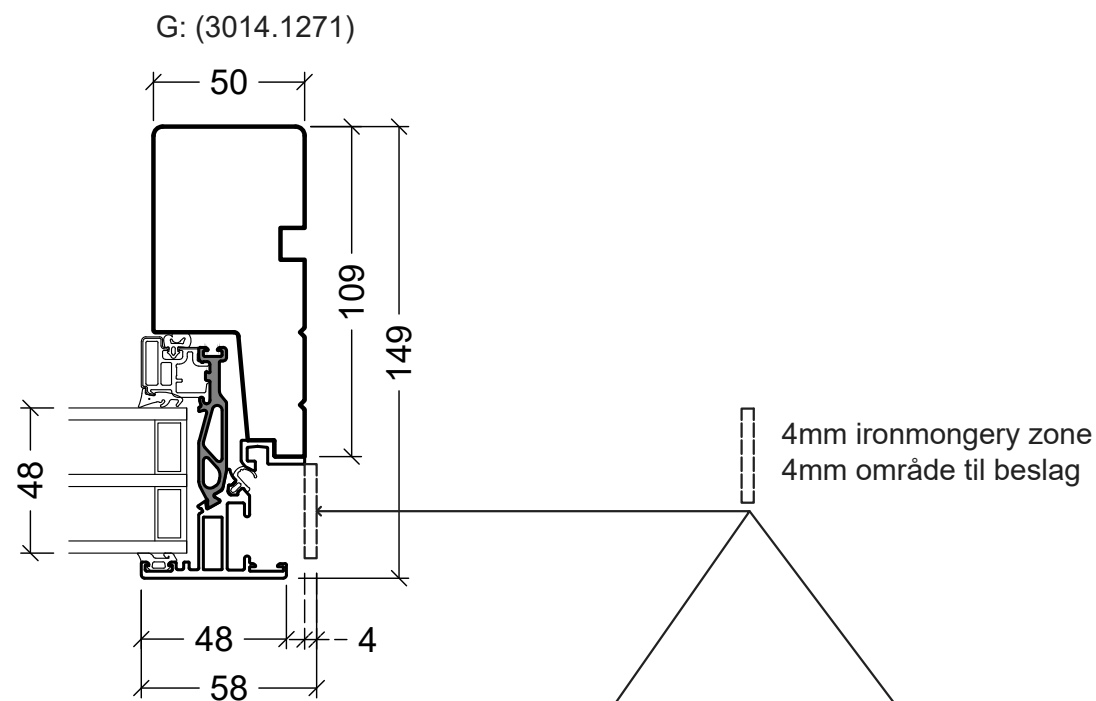


VELFAC® <small>VELFAC is a trademark of DOVISTA A/S</small>	System: VELFAC 200 Energy	Scale: 1:2,5 / 1:40
	English: Standard details	Edition No. 11
	Dansk: Standard snit	02.23 © 2013, 2023
<small>© DOVISTA A/S, CVR-no. 21147583. All intellectual property rights, copyright as well as all rights in know-how vest in DOVISTA A/S. This drawing may not be reproduced, stored, or transmitted in any form by any means (electronic, mechanical, photocopying, recording or otherwise) without the prior written consent of DOVISTA A/S. This drawing is to be used only for the purposes specified by DOVISTA A/S and for no other purpose. We reserve all rights to change the product and product range without notice.</small>		



1:40

 <small>VELFAC is a trademark of DOVISTA A/S</small>	System: VELFAC 200 Energy	Scale: 1:2,5 / 1:40
	English: Glazing bars	Edition No. 11
	Dansk: Sprosser	02.23 © 2013, 2023
<small>© DOVISTA A/S, CVR-no. 21147583. All intellectual property rights, copyright as well as all rights in know-how vest in DOVISTA A/S. This drawing may not be reproduced, stored, or transmitted in any form by any means (electronic, mechanical, photocopying, recording or otherwise) without the prior written consent of DOVISTA A/S. This drawing is to be used only for the purposes specified by DOVISTA A/S and for no other purpose. We reserve all rights to change the product and product range without notice.</small>		



Ⓐ Ⓒ = as standard V200 Energy, see "Standard Details"

VELFAC®

VELFAC is a trademark of DOVISTA A/S

System: VELFAC 200 Energy

English: Reversible window

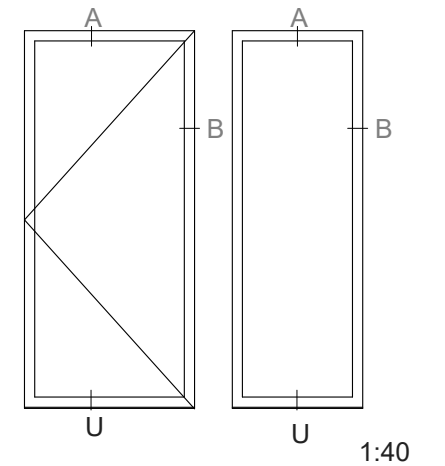
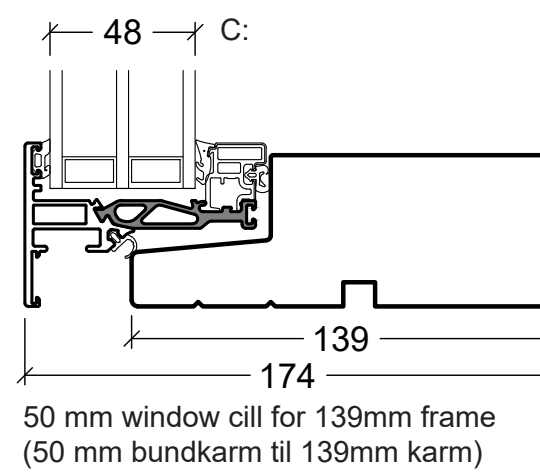
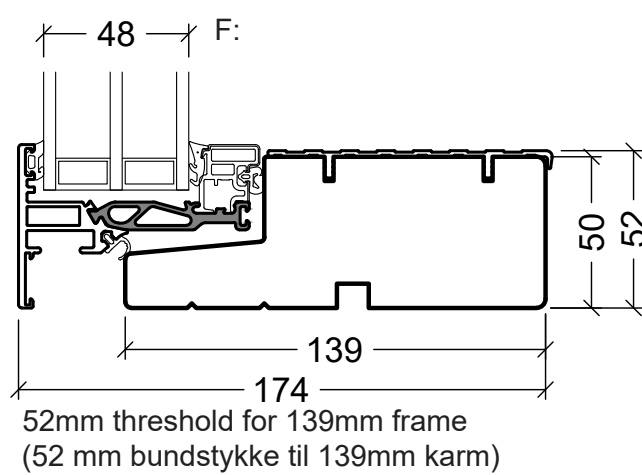
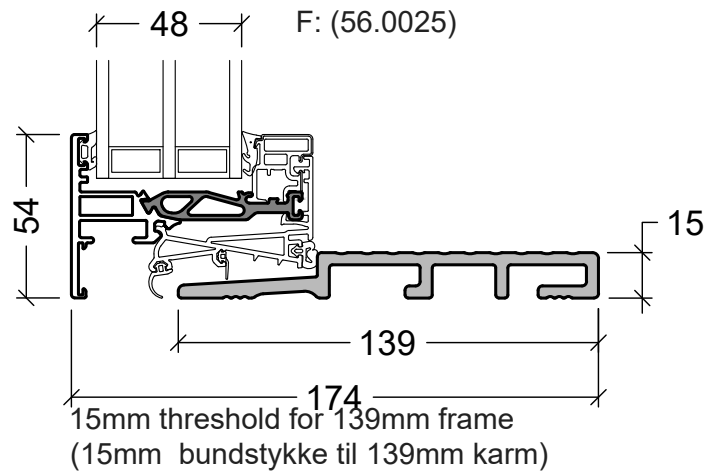
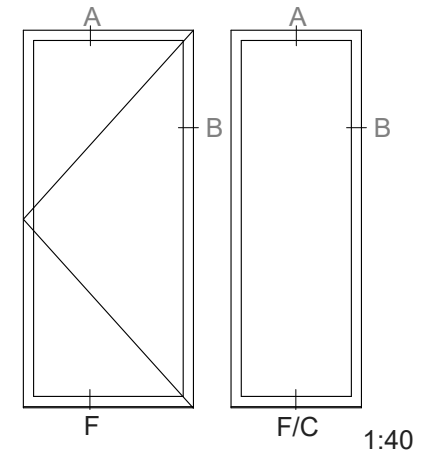
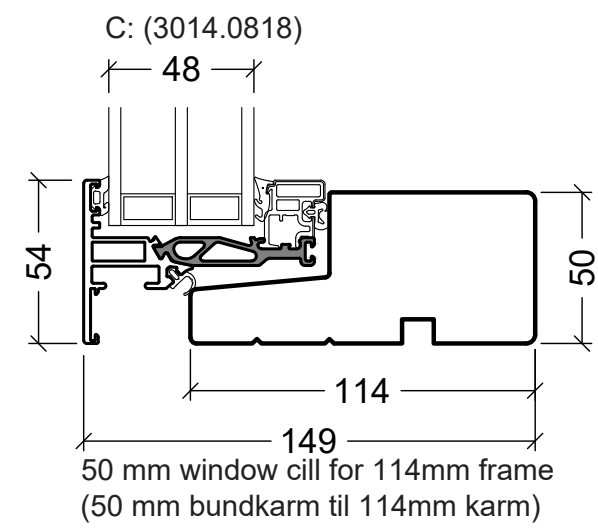
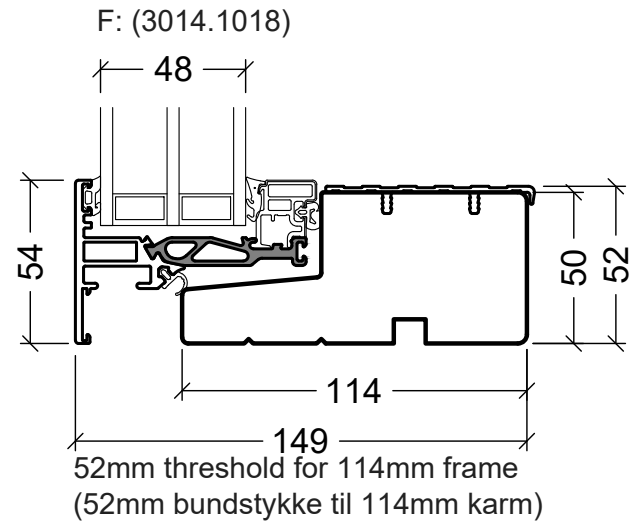
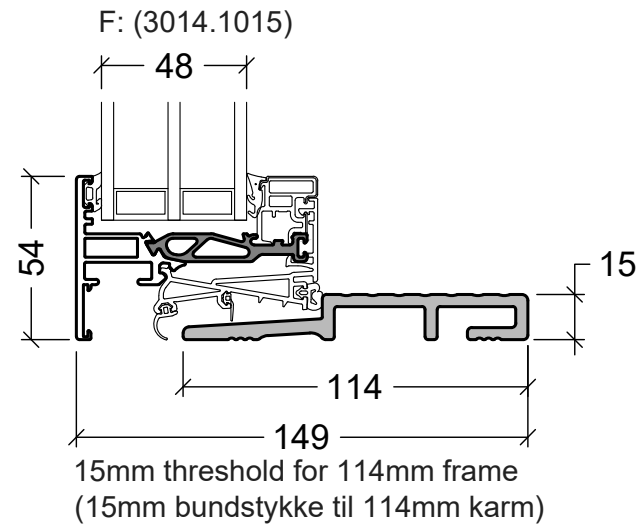
Dansk: Vendeindue

Scale: 1:2,5 / 1:40

Edition No. 11

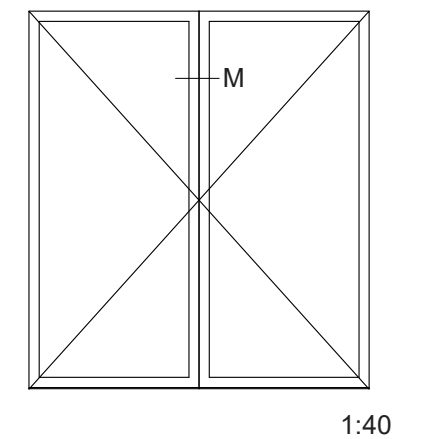
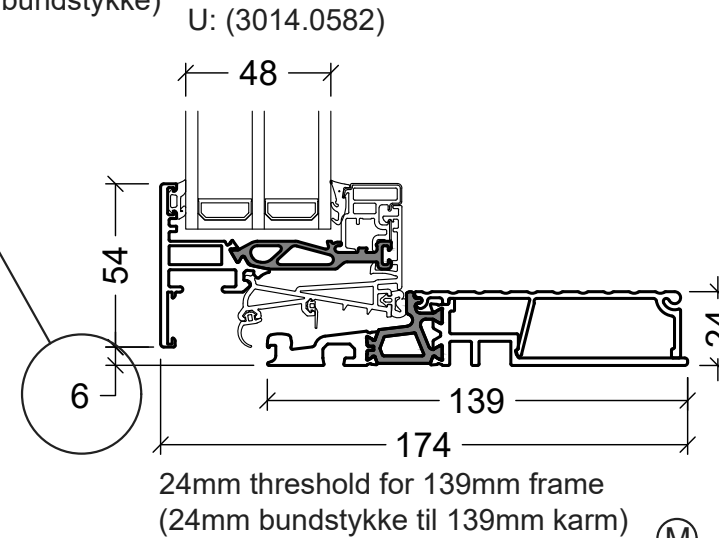
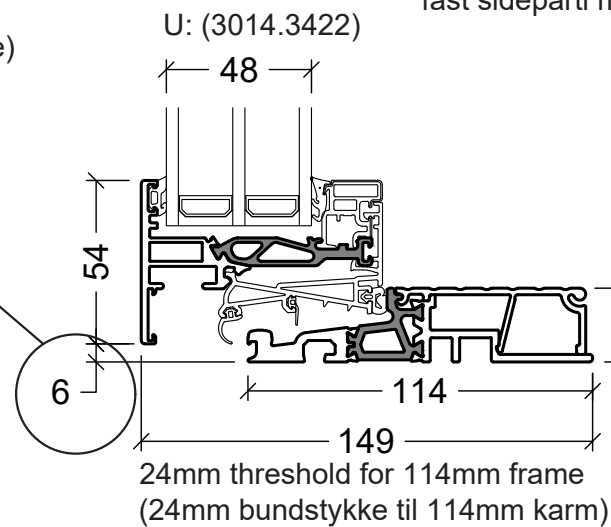
02.23 © 2013, 2023

© DOVISTA A/S, CVR-no. 21147583. All intellectual property rights, copyright as well as all rights in know-how vest in DOVISTA A/S. This drawing may not be reproduced, stored, or transmitted in any form by any means (electronic, mechanical, photocopying, recording or otherwise) without the prior written consent of DOVISTA A/S. This drawing is to be used only for the purposes specified by DOVISTA A/S and for no other purpose. We reserve all rights to change the product and product range without notice.



To ensure alignment:
fixed sidelight with 24mm threshold.
(For at opnå rammeflugt:
fast sideparti med 24mm bundstykke)

To ensure alignment:
fixed sidelight with 24mm threshold.
(For at opnå rammeflugt:
fast sideparti med 24mm bundstykke)

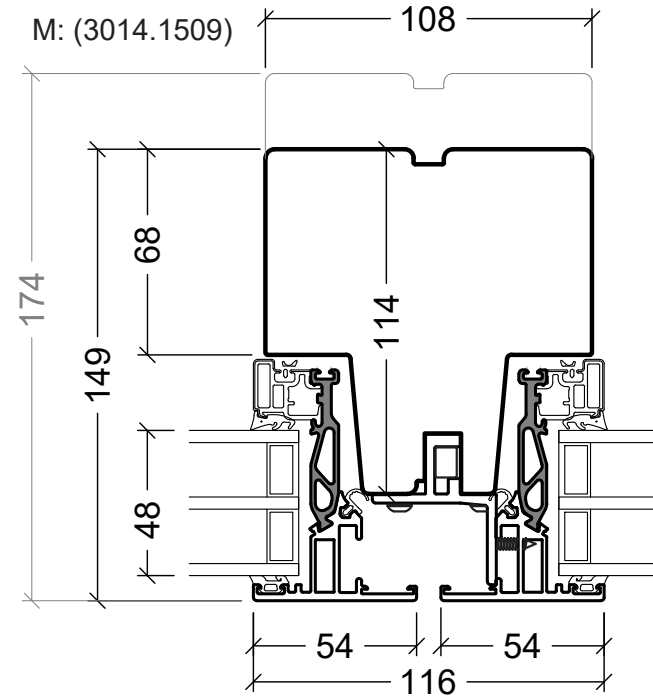
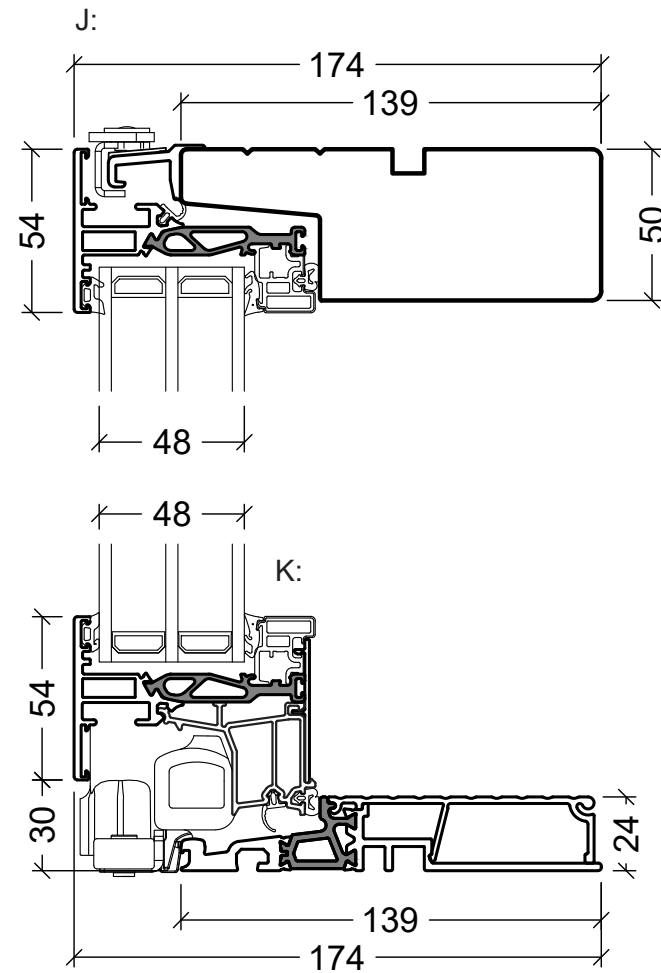
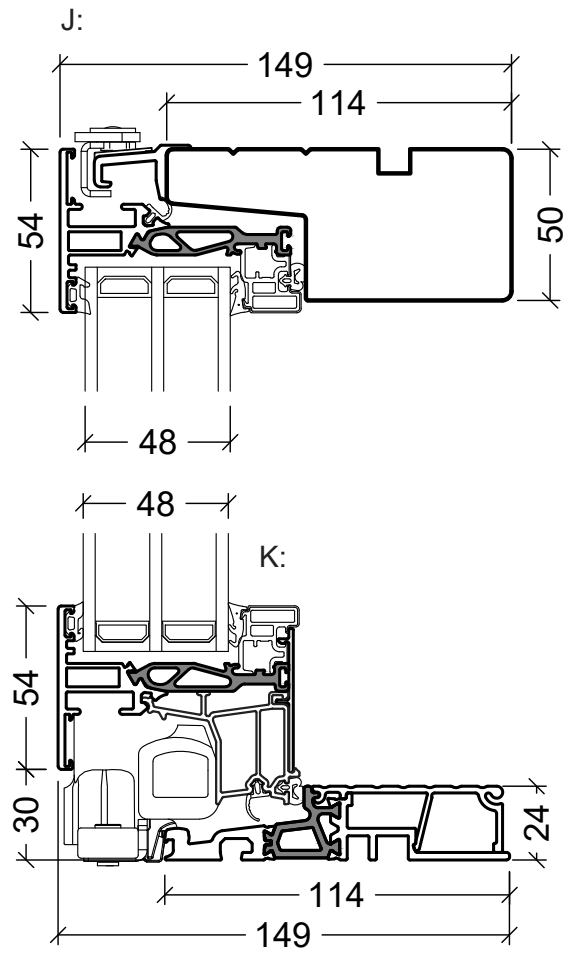


(M) = see sliding casement door with 24mm threshold
(A) (B) = as standard V200 Energy, see "Standard Details"

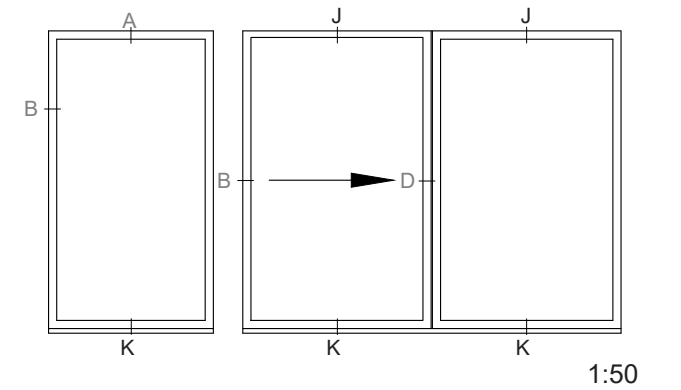
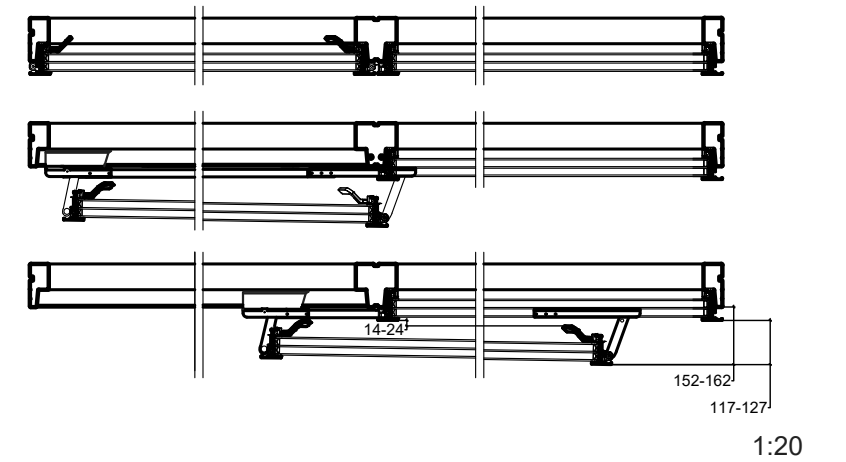
VELFAC® <small>VELFAC is a trademark of DOVISTA A/S</small>	System: VELFAC 200 Energy	Scale: 1:2,5 / 1:40
	English: Casement door	Edition No. 11
	Dansk: Terrassedør	02.23 © 2013, 2023

© DOVISTA A/S, CVR-no. 21147583. All intellectual property rights, copyright as well as all rights in know-how vest in DOVISTA A/S. This drawing may not be reproduced, stored, or transmitted in any form by any means (electronic, mechanical, photocopying, recording or otherwise) without the prior written consent of DOVISTA A/S. This drawing is to be used only for the purposes specified by DOVISTA A/S and for no other purpose. We reserve all rights to change the product and product range without notice.

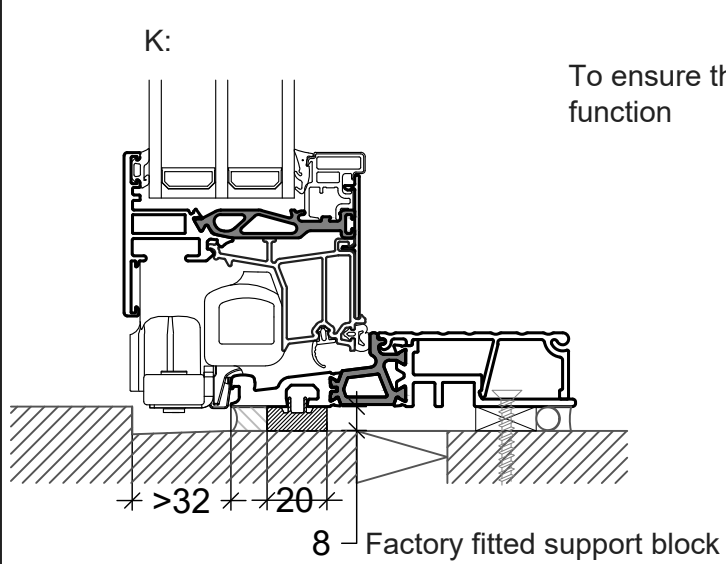
VELFAC 200 ENERGY, 1-leaf sliding casement door, 24mm threshold



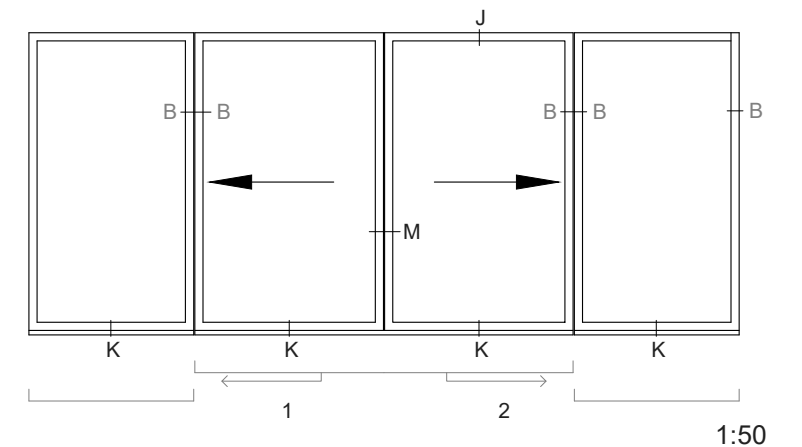
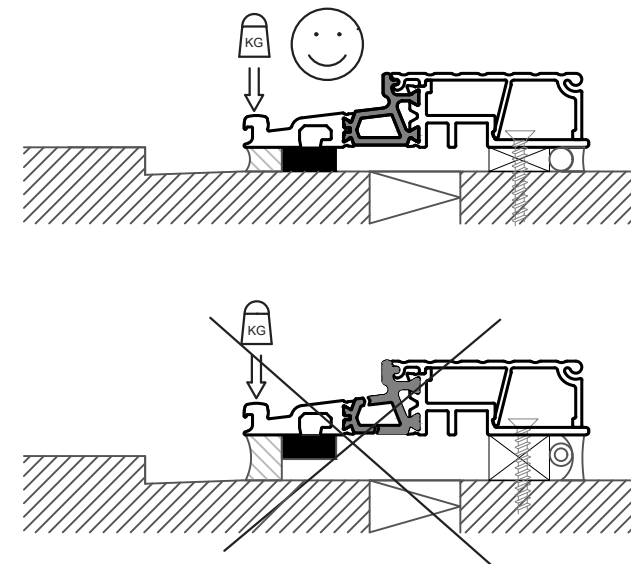
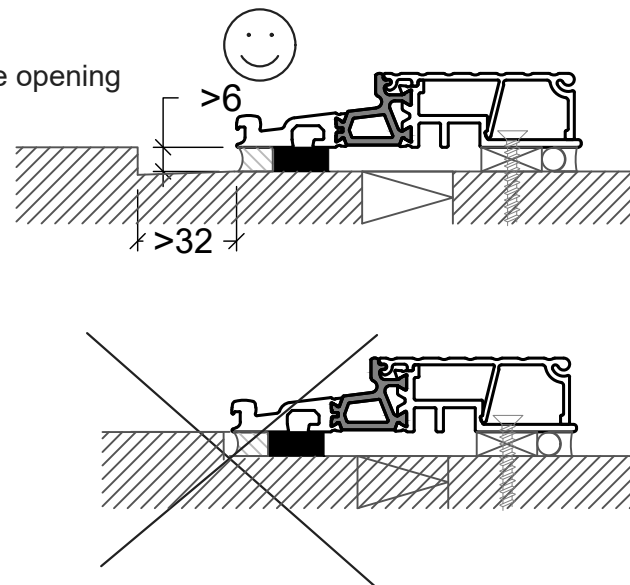
French casement (2-fløjet skydedør)



INSTALLATION TIP



To ensure the opening function

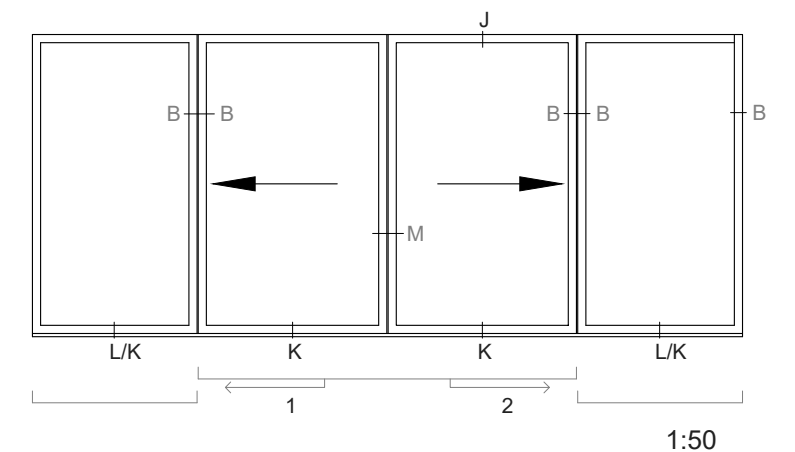
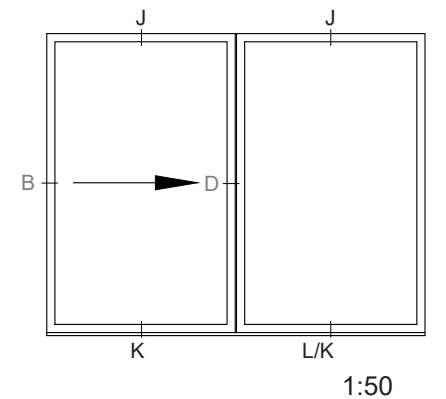
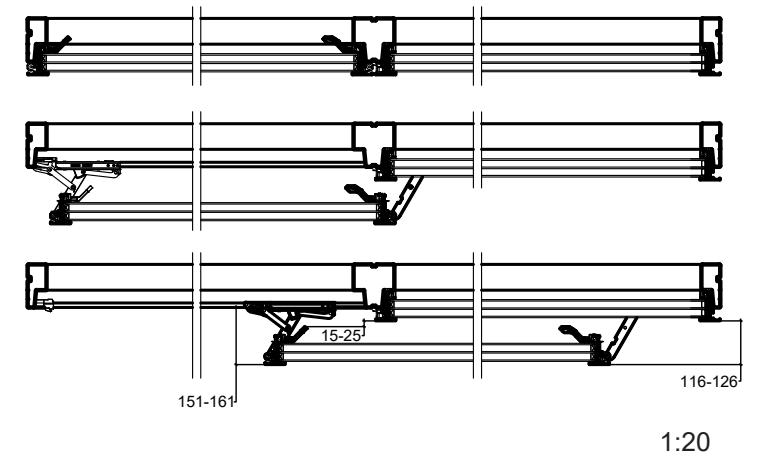


(A) (B) (D) = as standard V200 Energy, see "Standard Details"

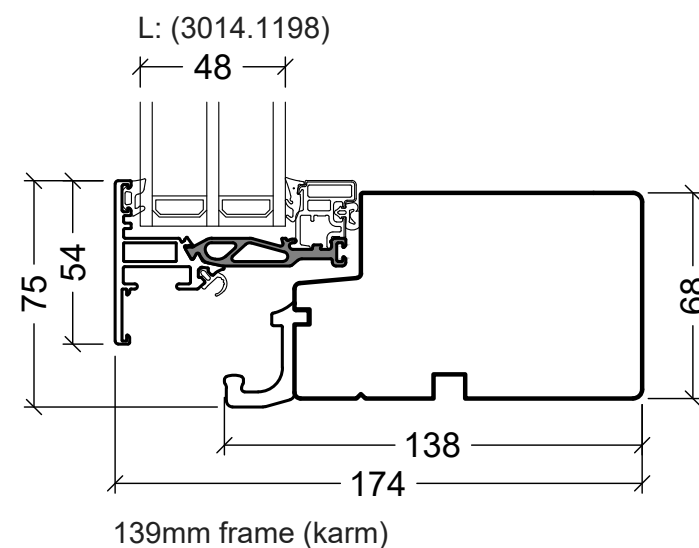
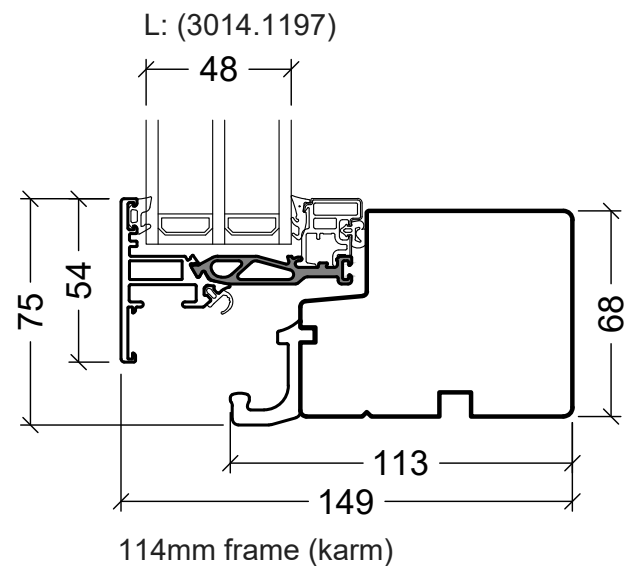
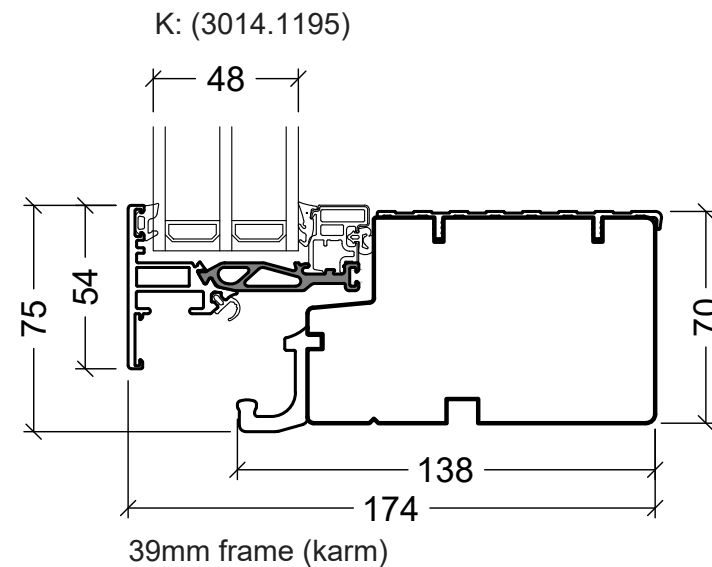
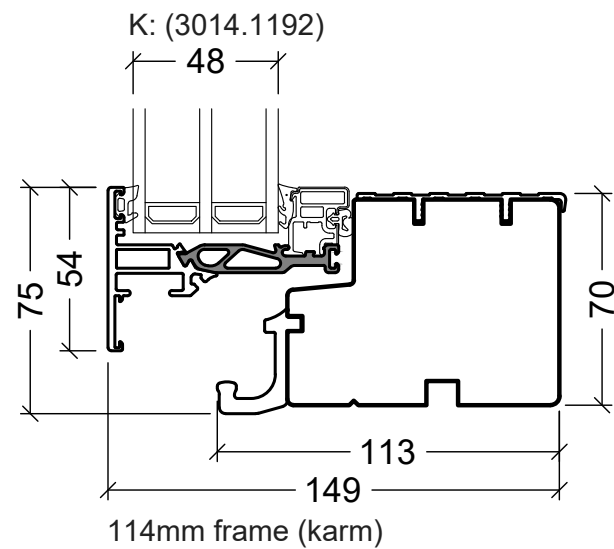
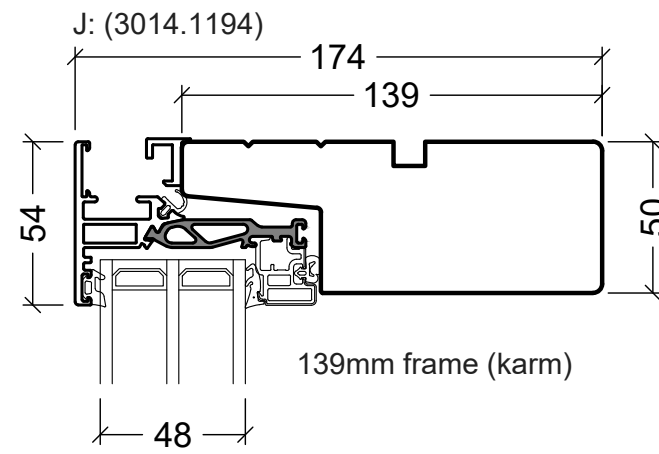
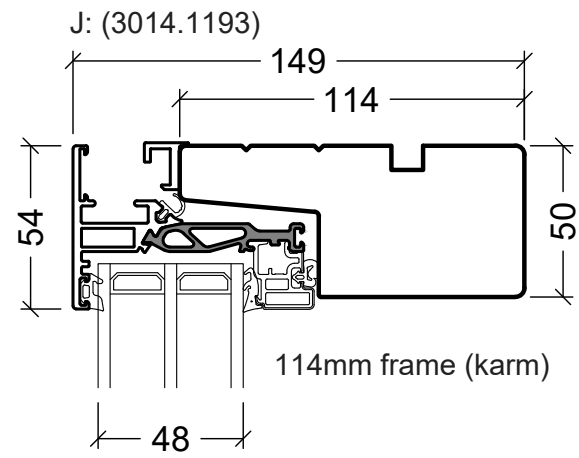
<p>VELFAC is a trademark of DOVISTA A/S</p>	System: VELFAC 200 Energy	Scale: 1:2,5 / 1:20 / 1:50
	English: Sliding casement door, 24mm threshold	Edition No. 11
	Dansk: Skydedør, 24mm bundkarm	02.23 © 2013, 2023

© DOVISTA A/S, CVR-no. 21147583. All intellectual property rights, copyright as well as all rights in know-how vest in DOVISTA A/S. This drawing may not be reproduced, stored, or transmitted in any form by any means (electronic, mechanical, photocopying, recording or otherwise) without the prior written consent of DOVISTA A/S. This drawing is to be used only for the purposes specified by DOVISTA A/S and for no other purpose. We reserve all rights to change the product and product range without notice.

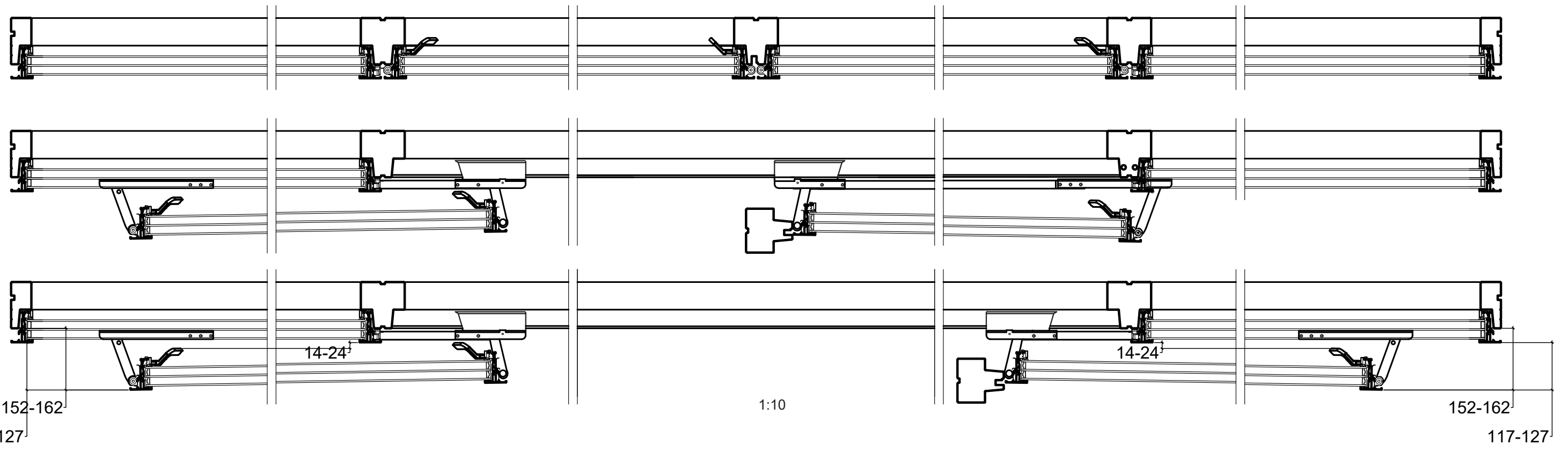
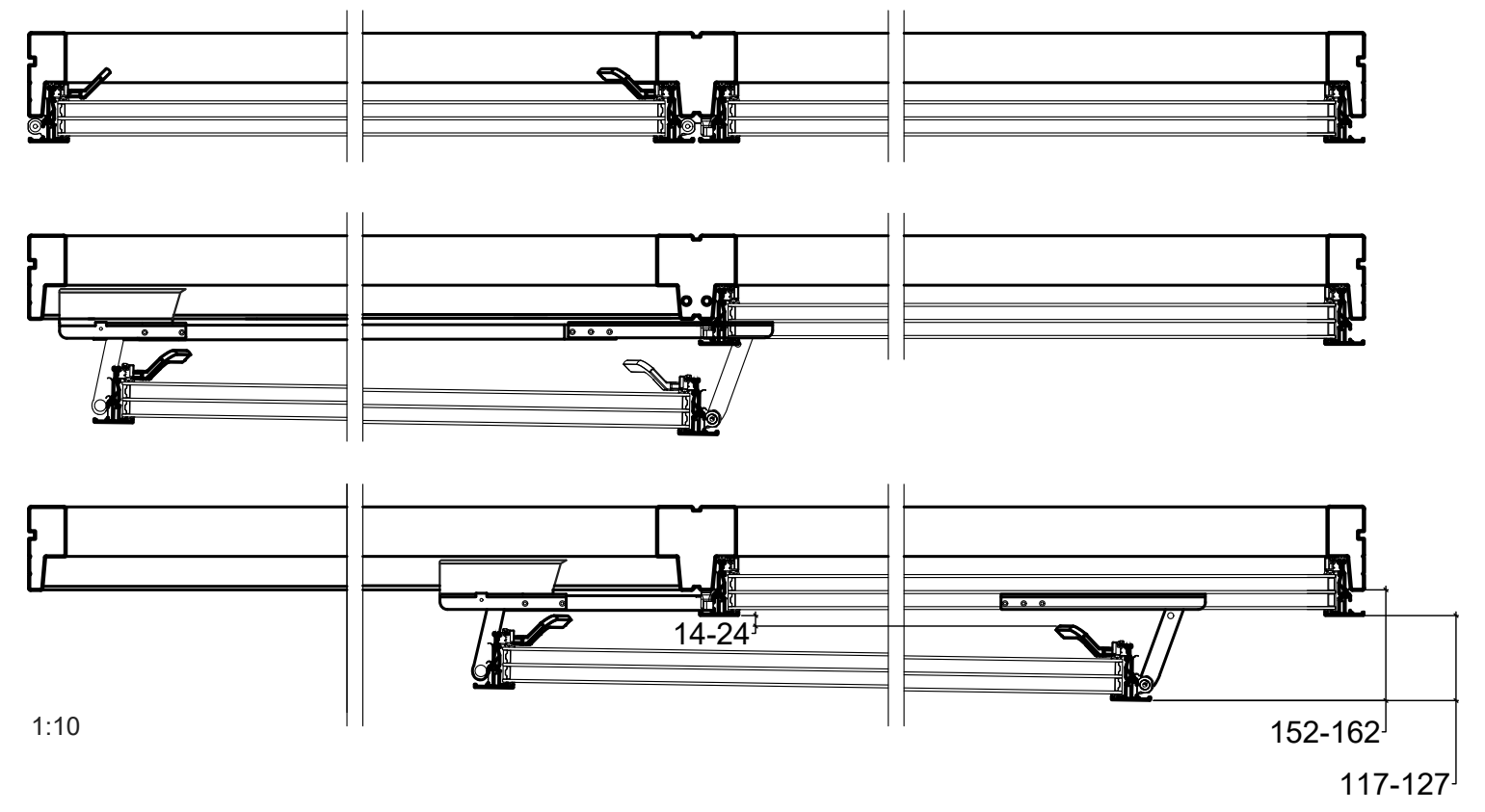
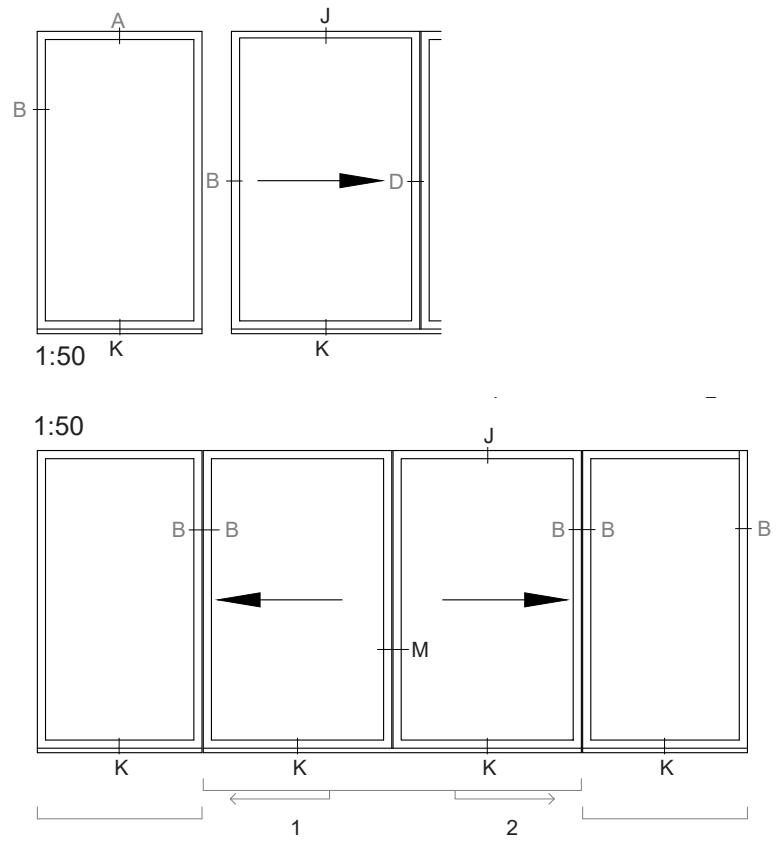
VELFAC 200 ENERGY, sliding casement door, 70mm threshold



ⓑ ⓓ = as standard V200 Energy, see "Standard Details"
 Ⓜ = see sliding casement door with 24mm threshold

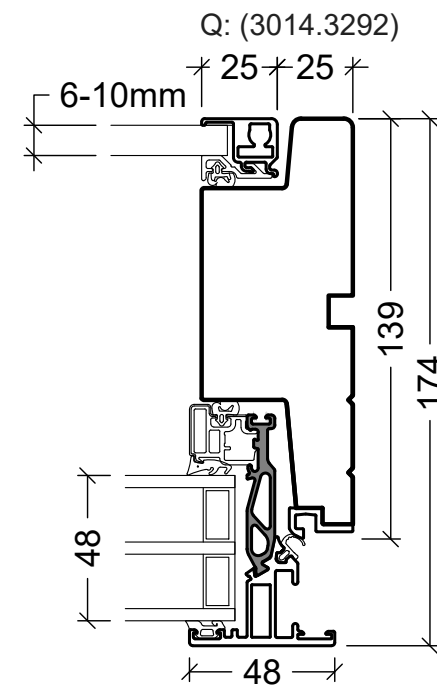
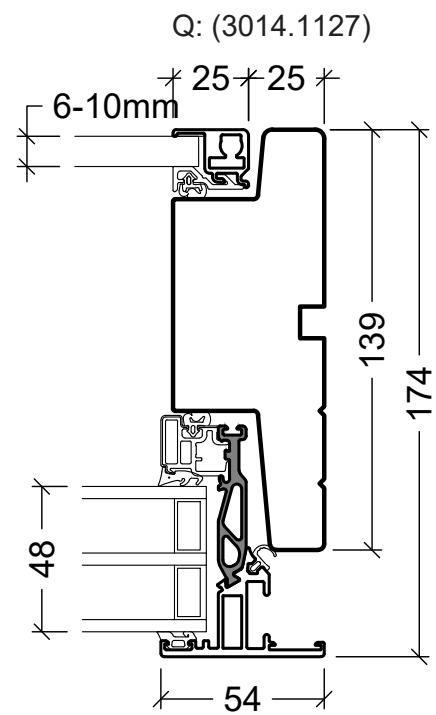
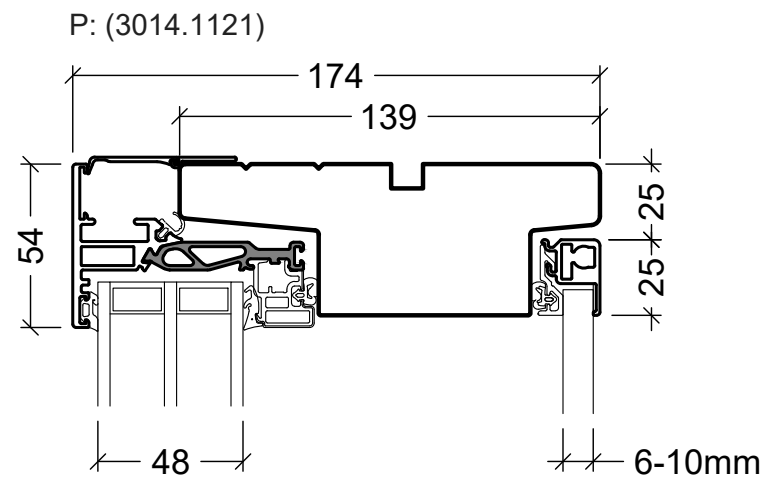


<p>VELFAC is a trademark of DOVISTA A/S</p>	System: VELFAC 200 Energy	Scale: 1:2,5 / 1:20 / 1:50
	English: Sliding casement door. 70mm threshold	Edition No. 11
	Dansk: Skydedør, 70mm bundkarm	02.23 © 2013, 2023
<p>© DOVISTA A/S, CVR-no. 21147583. All intellectual property rights, copyright as well as all rights in know-how vest in DOVISTA A/S. This drawing may not be reproduced, stored, or transmitted in any form by any means (electronic, mechanical, photocopying, recording or otherwise) without the prior written consent of DOVISTA A/S. This drawing is to be used only for the purposes specified by DOVISTA A/S and for no other purpose. We reserve all rights to change the product and product range without notice.</p>		

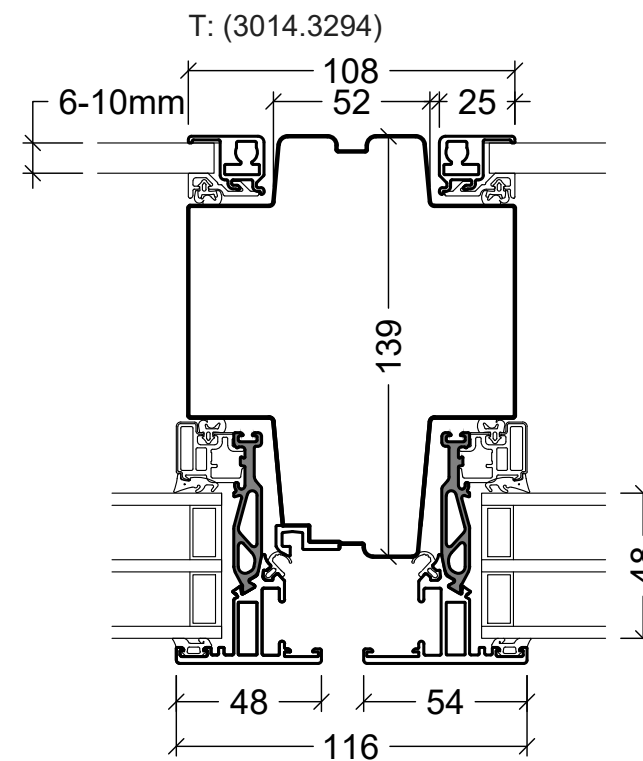
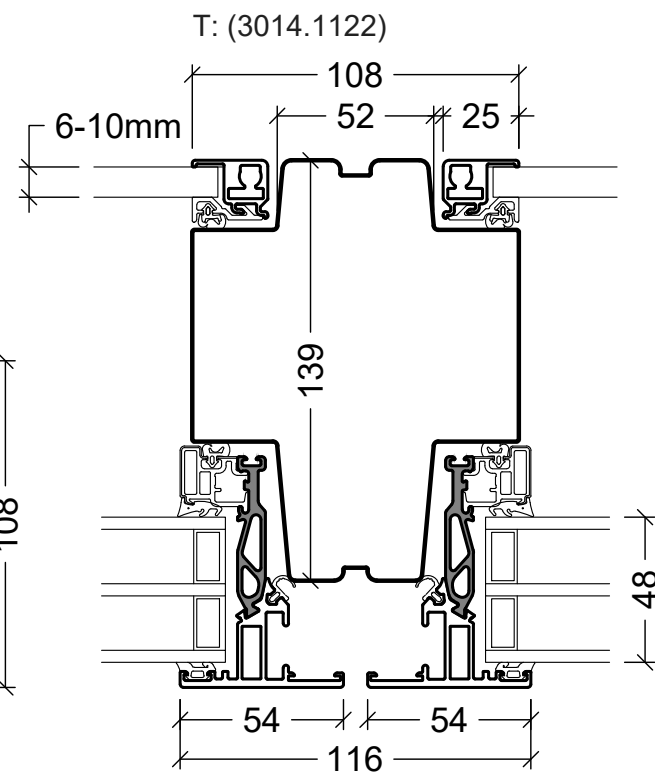
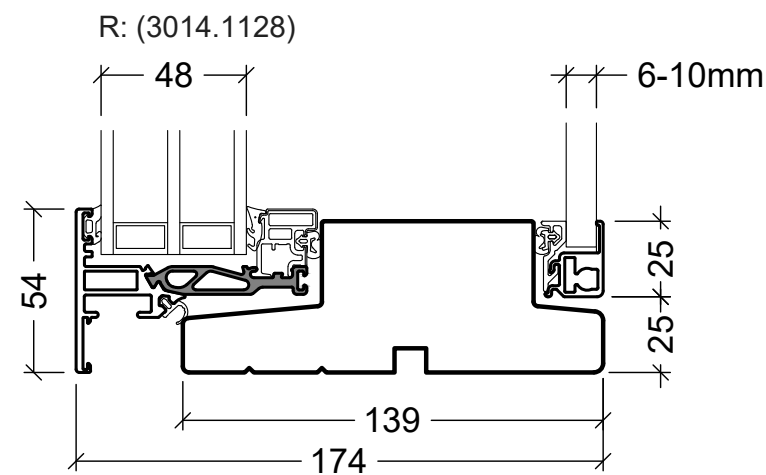


Ⓐ Ⓑ Ⓓ = as standard V200 Energy, see "Standard Details"

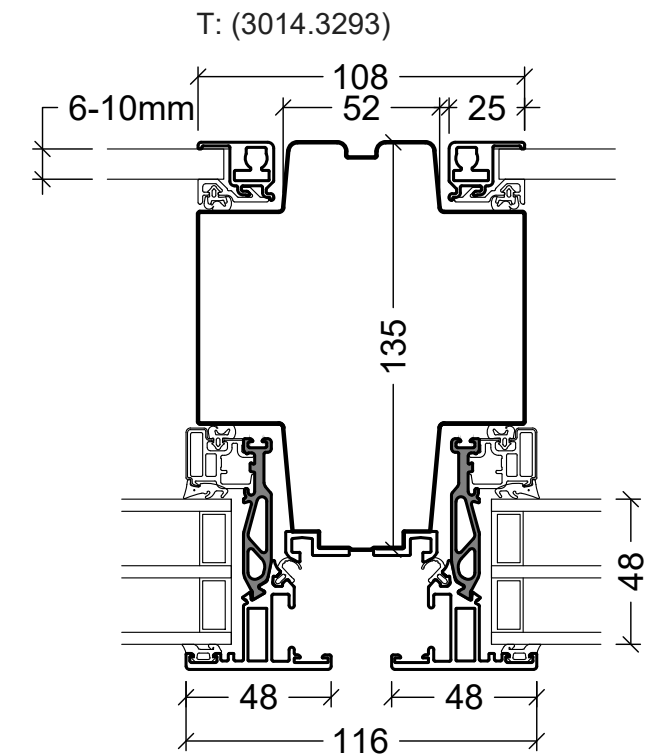
VELFAC®	System: VELFAC 200 Energy	Scale: 1:10 / 1:50
	English: Sliding casement door, function	Edition No. 11
VELFAC is a trademark of DOVISTA A/S	Dansk: Skydedør, funktion	02.23 © 2013, 2023
<small>© DOVISTA A/S, CVR-no. 21147583. All intellectual property rights, copyright as well as all rights in know-how vest in DOVISTA A/S. This drawing may not be reproduced, stored, or transmitted in any form by any means (electronic, mechanical, photocopying, recording or otherwise) without the prior written consent of DOVISTA A/S. This drawing is to be used only for the purposes specified by DOVISTA A/S and for no other purpose. We reserve all rights to change the product and product range without notice.</small>		



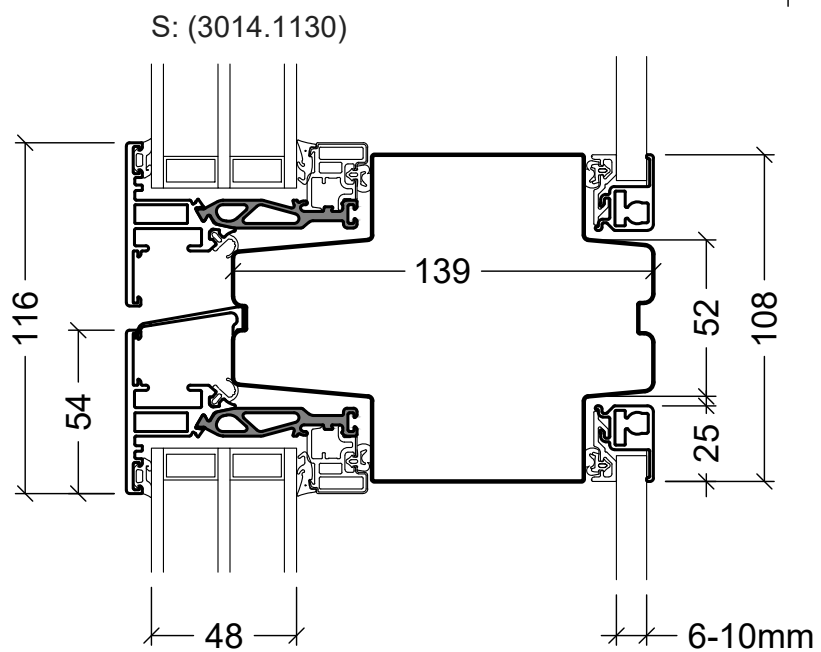
Only for reversible, 48mm sash



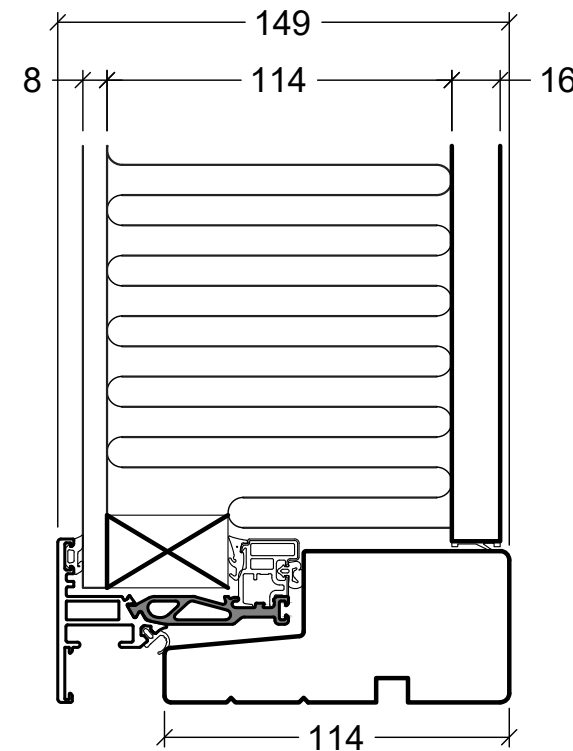
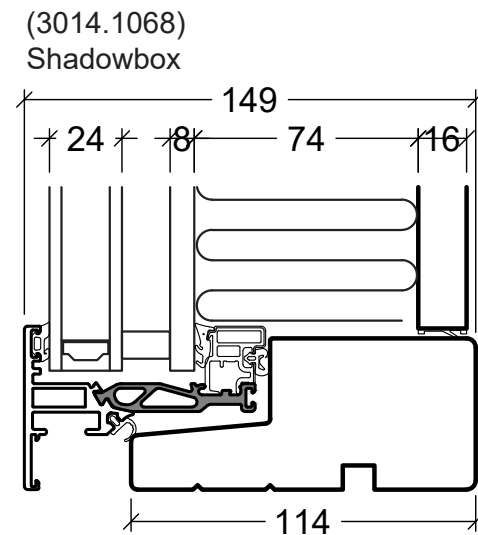
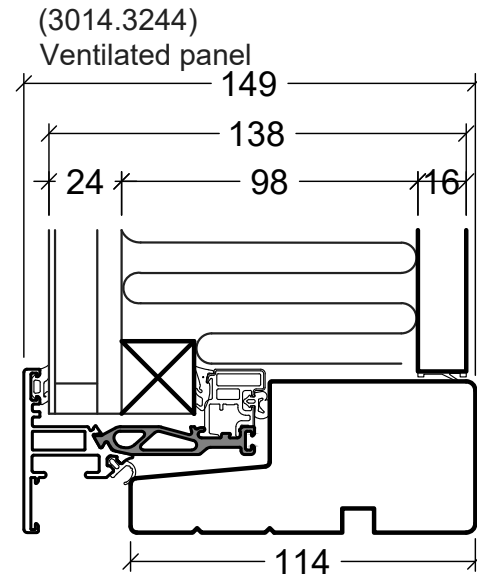
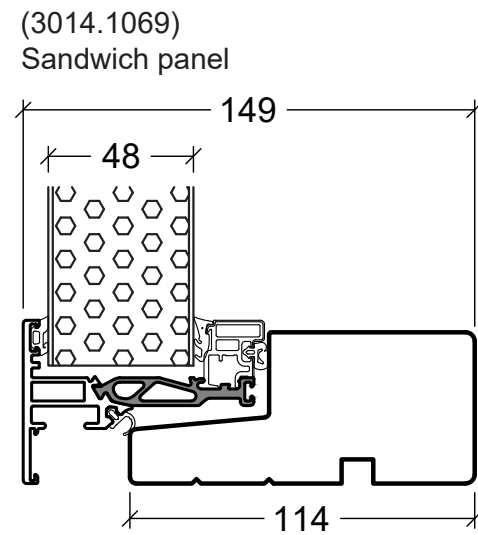
Reversible, 48mm sash / V200E



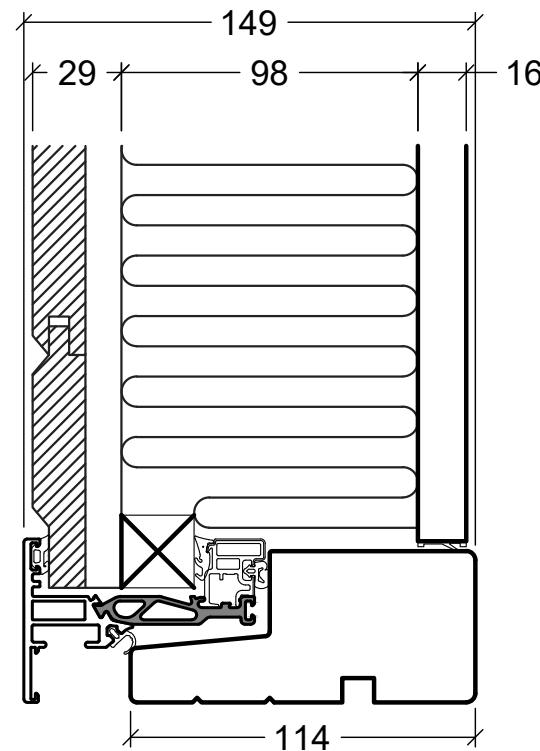
Reversible, 48mm sash



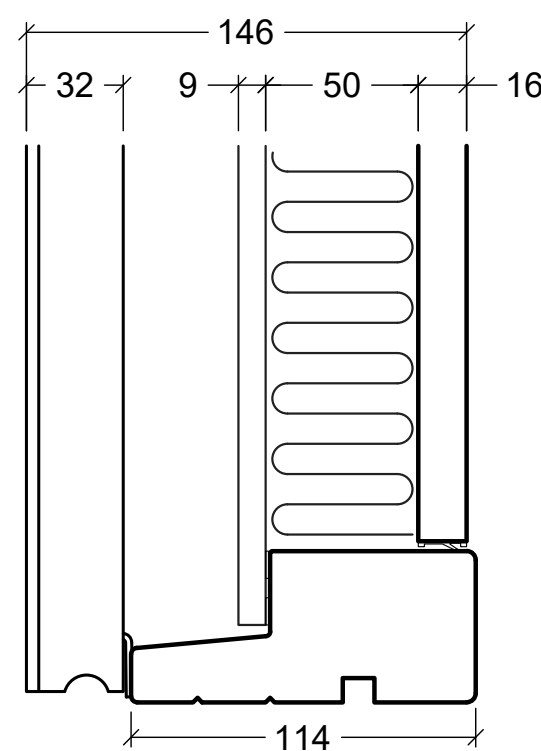
<p>VELFAC is a trademark of DOVISTA A/S</p>	System: VELFAC 200 Energy	Scale: 1:2,5
	English: Internal sash	Edition No. 11
	Dansk: Forsatsramme	02.23 © 2013, 2023
<p>© DOVISTA A/S, CVR-no. 21147583. All intellectual property rights, copyright as well as all rights in know-how vest in DOVISTA A/S. This drawing may not be reproduced, stored, or transmitted in any form by any means (electronic, mechanical, photocopying, recording or otherwise) without the prior written consent of DOVISTA A/S. This drawing is to be used only for the purposes specified by DOVISTA A/S and for no other purpose. We reserve all rights to change the product and product range without notice.</p>		



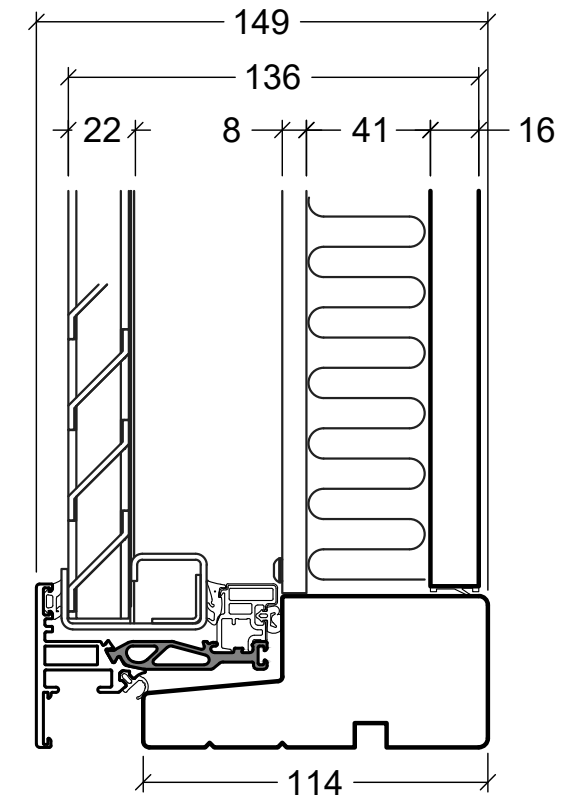
(3014.1081)
Non ventilated panel




(3014.1079)
Ceder panel



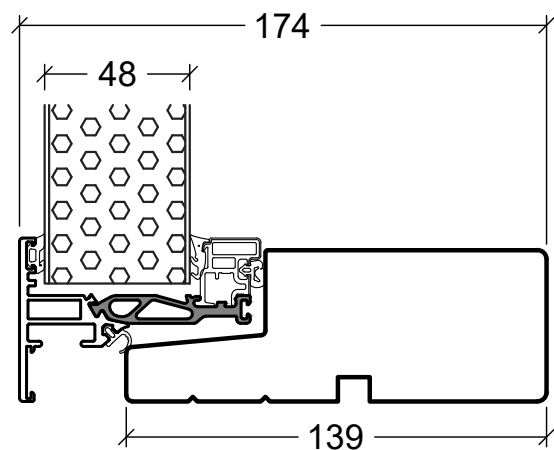
(3014.1064)
Rainscreen panel



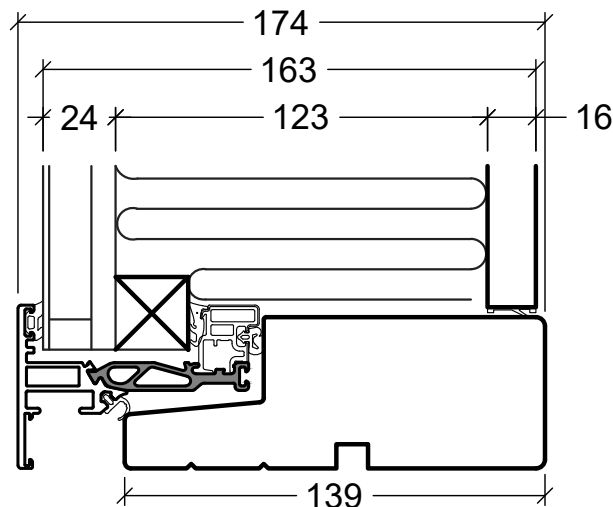
(3014.1431)
Louvre panel with backboard

 <small>VELFAC is a trademark of DOVISTA A/S</small>	System: VELFAC 200 Energy	Scale: 1:2,5
	English: Panels, 114mm	Edition No. 11
	Dansk: Fyldninger, 114mm	02.23 © 2013, 2023
<small>© DOVISTA A/S, CVR-no. 21147583. All intellectual property rights, copyright as well as all rights in know-how vest in DOVISTA A/S. This drawing may not be reproduced, stored, or transmitted in any form by any means (electronic, mechanical, photocopying, recording or otherwise) without the prior written consent of DOVISTA A/S. This drawing is to be used only for the purposes specified by DOVISTA A/S and for no other purpose. We reserve all rights to change the product and product range without notice.</small>		

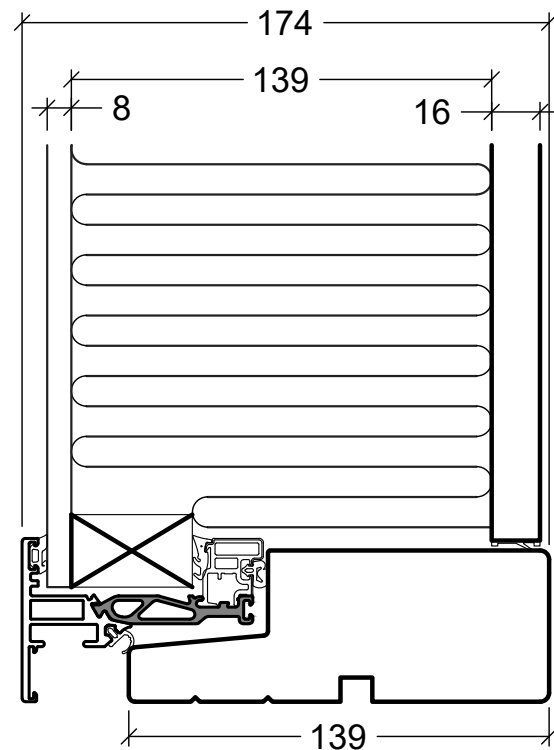
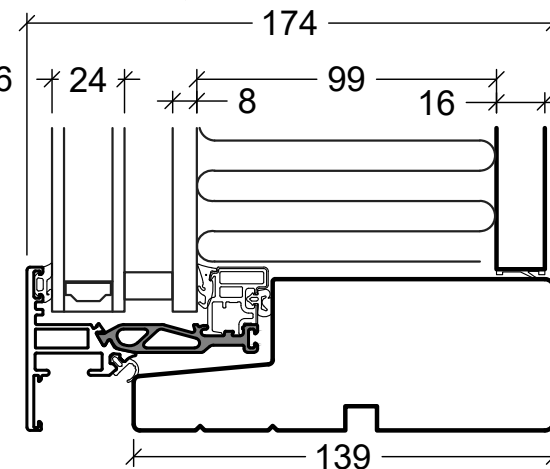
(3014.1069)
Sandwich panel, 139 mm frame



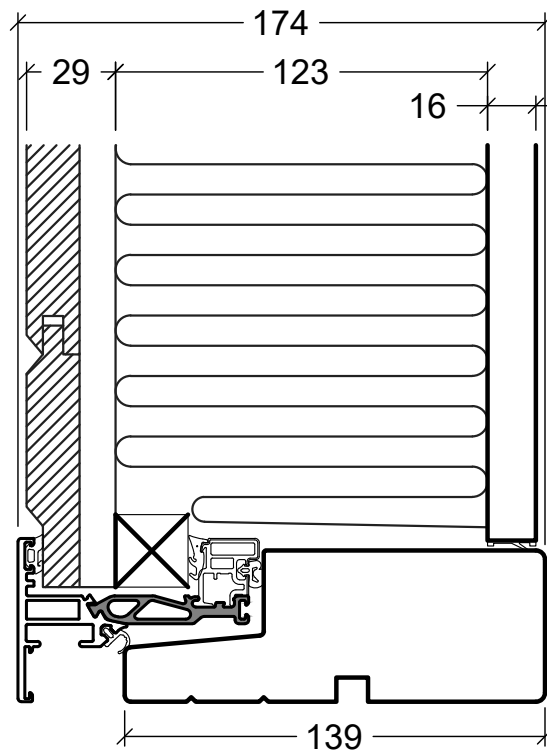
(3014.3244)
Ventilated panel, 139 mm frame



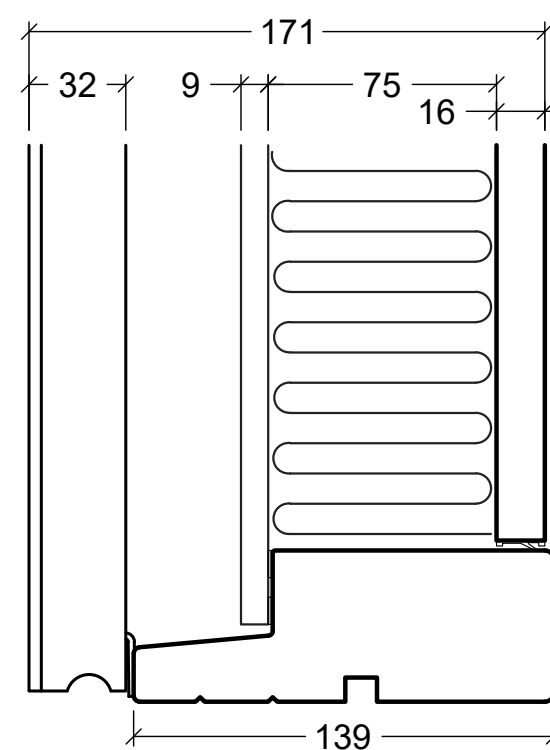
(3014.1068)
Shadowbox, 139 mm frame



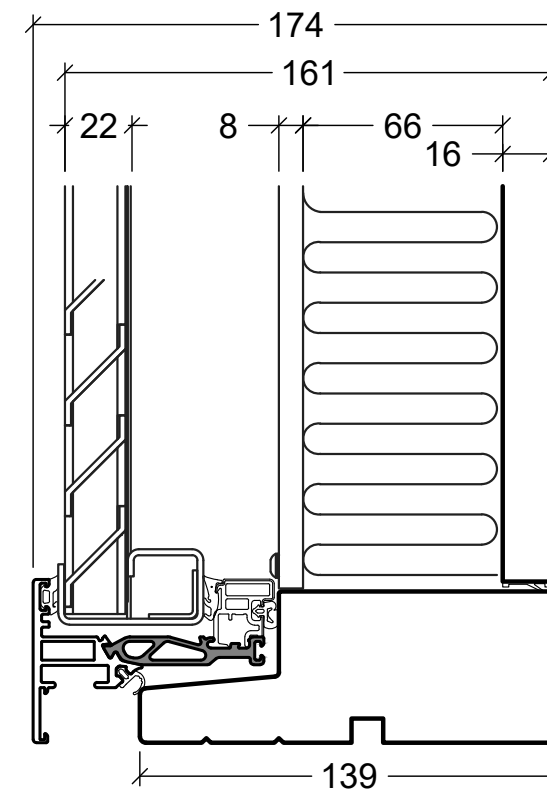
(3014.1081)
Non ventilated panel, 139 mm frame



(3014.1079)
Ceder panel, 139 mm frame



(3014.1064)
Rainscreen panel, 139 mm frame



(3014.1431)
Louvre panel with backboard, 139 mm frame

VELFAC®

VELFAC is a trademark of DOVISTA A/S

System: VELFAC 200 Energy

English: Panels, 139mm

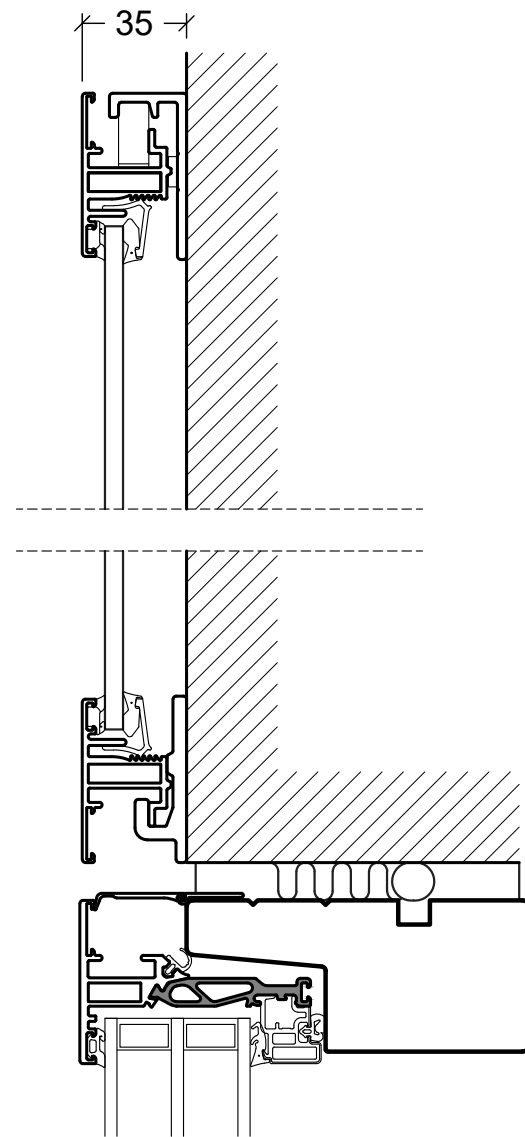
Dansk: Fyldninger, 139mm

Scale: 1:2,5


Edition No. 11

02.23 © 2013, 2023

© DOVISTA A/S, CVR-no. 21147583. All intellectual property rights, copyright as well as all rights in know-how vest in DOVISTA A/S. This drawing may not be reproduced, stored, or transmitted in any form by any means (electronic, mechanical, photocopying, recording or otherwise) without the prior written consent of DOVISTA A/S. This drawing is to be used only for the purposes specified by DOVISTA A/S and for no other purpose. We reserve all rights to change the product and product range without notice.



Facade panel (Facaderammer)

 <small>VELFAC is a trademark of DOVISTA A/S</small>	System: VELFAC 200 Energy	Scale: 1:2,5
	English: Facade panels	Edition No. 11
	Dansk: Facaderammer	02.23 © 2013, 2023
<small>© DOVISTA A/S, CVR-no. 21147583. All intellectual property rights, copyright as well as all rights in know-how vest in DOVISTA A/S. This drawing may not be reproduced, stored, or transmitted in any form by any means (electronic, mechanical, photocopying, recording or otherwise) without the prior written consent of DOVISTA A/S. This drawing is to be used only for the purposes specified by DOVISTA A/S and for no other purpose. We reserve all rights to change the product and product range without notice.</small>		