

Adexa



UNDER-MOUNT HOOD

MODEL : AP238-PS83-36

AP238-PS83-48

INSTALLATION GUIDE / USE AND CARE MANUAL

IMPORTANT: Read and save these instructions.

Installer: Leave this manual with the homeowner.

Homeowner: Keep this guide for future reference.

Table of Contents

IMPORTANT SAFETY PRECAUTIONS.....	4-5
INSTALLATION INSTRUCTIONS.....	6-13
OPERATING THE HOOD.....	14-16
MAINTENANCE.....	17-18
WARRANTY.....	19

**APPROVED FOR APPLIANCES OF RESIDENTIAL USE
ONLY. READ AND SAVE THESE INSTRUCTIONS.**

**PLEASE READ THE ENTIRE INSTRUCTIONS BEFORE YOU
BEGIN. INSTALLATION OF THE UNIT MUST RESPECT ALL
CODES.**

IMPORTANT: Keep these instructions in order to provide them to the electrical inspector in your area.

INSTALLER: Please leave these instructions with the owner of the unit.

OWNER: Keep these instructions for future reference.

SECURITY WARNING: Turn off the power circuit in the electrical panel and lock the front panel before connecting the wires of this unit.

Requirements: 220V , 50Hz

IMPORTANT SAFETY PRECAUTIONS

READ AND SAVE THESE

INSTRUCTIONS CAUTION:

For residential use only. Do not use to exhaust hazardous or explosive materials and/or vapors.

CAUTION:

Range hood may have very sharp edges; please wear protective gloves when installing, cleaning or servicing the unit.

This appliance must be installed by a qualified technician. The manufacturer declines all responsibility in case of failure to adhere to safety standards. Install this hood in accordance with all the specified requirements.

WARNING

To reduce the risk of fire, electric shock or injury to persons, observe the following:

- Use this unit only in the manner intended by the manufacturer. If you have any questions, contact the manufacturer.
- Before servicing or cleaning the unit, switch power off at the service panel and lock the service disconnecting means stop revent power from being switched on accidentally. If the service disconnecting means cannot be locked, securely fasten a noticeable warning device, such a tag, to the service panel.
- Installation work and electrical wiring must be done by a qualified person in accordance with all applicalbe codes & standards, including Fire-rated construction.
- Sufficient air is needed for proper combustion and exhausting of gases through the chimney of fuel burning equipment to prevent back-drafting.
- Follow the heating equipment manufacturer's guide line and safety standards such as those published by the National Fire Protection Association (NFPA) and the local code authorities.
- When cutting or drilling into wall or ceiling, do not damage electrical wiring and other hidden utilities.
- Ducted fans must always be vented to the outdoors.
- Do not make alterations to the original wiring.
- Do not attempt to repair or replace any part of your hood unless it is specifically recommended in this manual.
- All other servicing should be referred to a qualified technician.

CAUTION:

To reduce risk of fire and to properly exhaust air, be sure to duct air outside - do not vent exhaust air into spaces within walls, ceilings, attics, crawl spaces, or garages.

Automatically operated device - to reduce risk of injury disconnect from power supply before servicing.

WARNING

TO REDUCE THE RISK OF FIRE, USE ONLY METAL DUCTWORK.

WARNING

TO REDUCE THE RISK OF A RANGE TOP GREASE FIRE:

- Never leave a range unattended.
- Boil-overs cause smoke and greasy spillovers that may ignite. Heat oils slowly on low or medium setting.
- Always turn hood ON when cooking at high heat.
- Clean the unit's surfaces frequently. Grease can accumulate on fan or filters.
- Use proper pan size. Always use cookware appropriate for the size of the surface element.

WARNING

TO REDUCE THE RISK OF INJURY TO PERSONS, IN THE EVENT OF A COOKTOP GREASE FIRE, OBSERVE THE FOLLOWING:

- Smother flames with a close-fitting lid, cookie sheet, or metal tray and then turn off the burner.
- If the flames do not go out immediately, **EVACUATE AND CALL THE FIRE DEPARTMENT.**
- Never pick up a flaming pan - you may **BURN YOURSELF.**
- **DO NOT USE WATER**, including wet dishcloths or towels -a violent steam explosion will result.
- Use an extinguisher **ONLY** if:
 - a) You know you have a class ABC extinguisher, and you already know how to operate it.
 - b) The fire is small and contained in the area where it started.
 - c) The fire department has been called.
 - d) You can fight the fire with your back to an exit.

WARNING

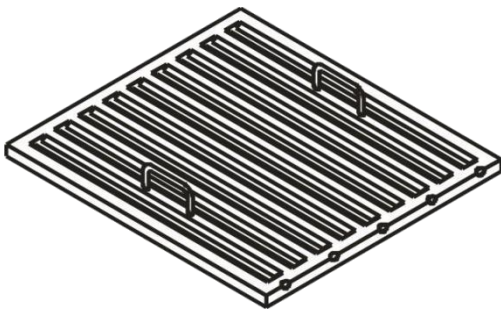
- The manufacturer and/or distributor/reseller declines all responsibility in the event of failure to observe the instructions given here for installation, maintenance and suitable use of the product. The manufacturer and/or distributor/reseller further declines all responsibility for injury due to negligence and the warranty of the unit automatically expires due to improper maintenance.
- The manufacturer and/or distributor/reseller will not be held responsible for any damages to personal property or real estate or any bodily injuries whether caused directly or indirectly by the range hood.

INSTALLATION INSTRUCTIONS

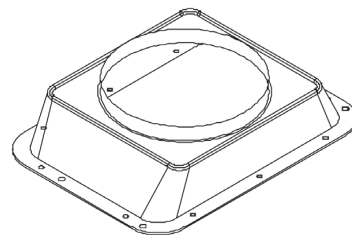
TOOLS NEEDED TO INSTALL THE RANGE HOOD

- Safety gloves and goggles
- Electrical drill
- Phillips screwdriver
- Flathead screwdriver
- Hammer
- Adjustable wrench
- Sheet metal sheers
- Needle nose pliers
- Scissors (to cut duct tape)
- Duct tape
- Marker or pencil
- Level
- Measuring tape

PARTS INCLUDED



Filters



Ducting Transition



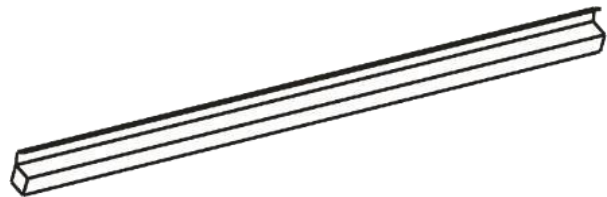
Qty: 8 pcs
(for drywall only)



Qty: 8 pcs



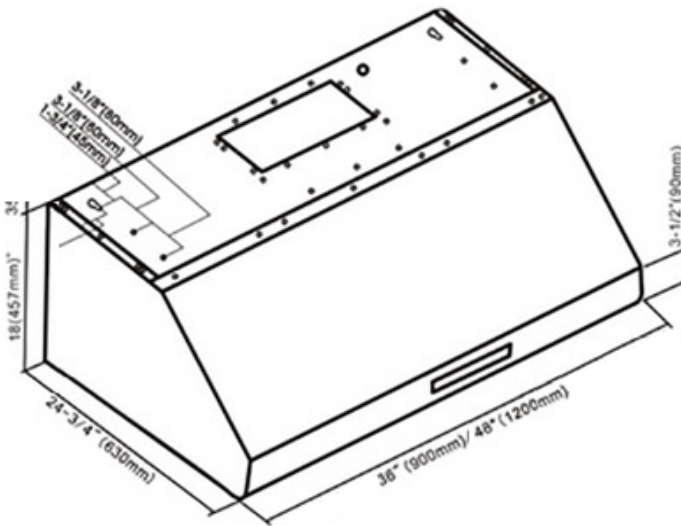
Qty: 1 0 pcs



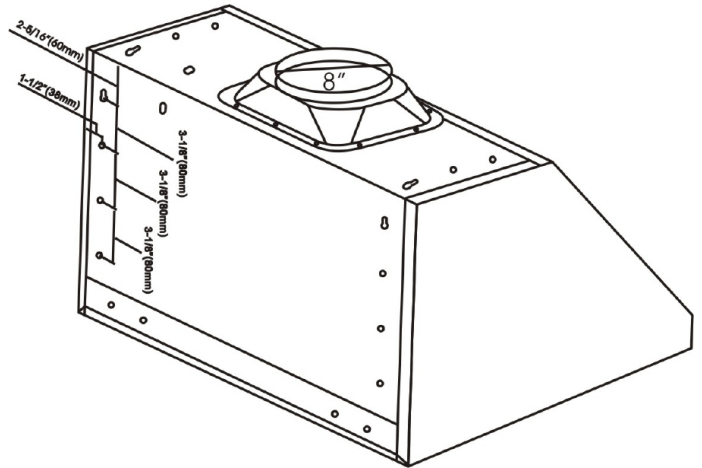
Grease tunnel

DIMENSIONS FOR 36" & 48" HOOD

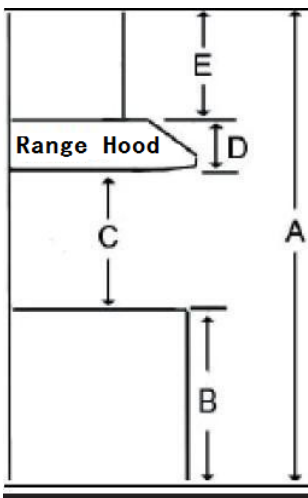
Overall



Rear Knockout Holes



Installation



A	Floor to ceiling height	variable
B	Floor to counter top height (standard)	36"
C	Recommended height between cooking surface and bottom of the hood	28"-30"
D	Hood height	9.8"
E	Cabinet height	N/A

The information contained herein is based on sources that we believe to be reliable, but is not guaranteed by us, may be incomplete and/or may change without notice.

BEFORE INSTALLING THE HOOD

- For the most efficient airflow exhaust, use a straight run or as few elbows as possible.
- Vent unit to the exterior only.
- At least two people are required for installation.
- Remove the range hood from the carton packaging and place on a flat surface for assembly.

CAUTION

THIS APPLIANCE SHOULD BE PROPERLY GROUNDED.

- The range hood must be connected with copper wire/plug only.
- Make sure the unit is connected to an individual, properly grounded circuit.
- If the electrical supply does not meet above requirements, call a licensed electrician before proceeding.
- Route house wiring as close as possible to the installation location, in the ceiling or back wall.
- The hood must be connected to the house wiring in accordance with the local codes and norms.

WALL FRAMING FOR ADEQUATE SUPPORT

THIS VENT HOOD IS HEAVY. ADEQUATE STRUCTURE AND SUPPORT MUST BE PROVIDED IN ALL TYPES OF INSTALLATION. IF MOUNTING ONTO DRY WALL, IT IS RECOMMENDED THAT THE HOOD BE SECURED TO VERTICAL STUDS IN THE WALL OR TO A HORIZONTAL SUPPORT.

WARNING

BE CAREFUL WHEN INSTALLING THE HOOD, AS IT MAY HAVE SHARP EDGES. WE RECOMMEND THAT YOU WEAR PROTECTIVE GLOVES.

CAUTION

DO NOT REMOVE THE PROTECTIVE PLASTIC FILM COVERING THE HOOD AT THIS STAGE.

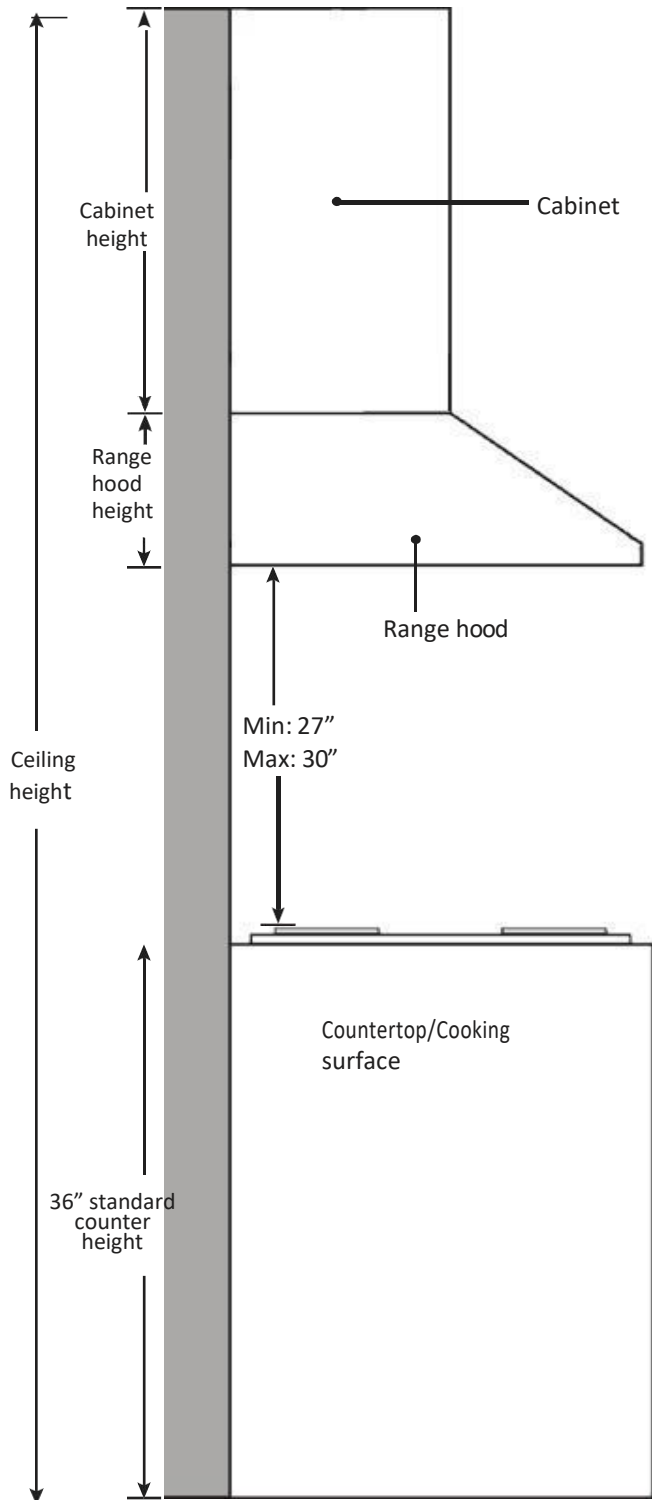
Venting Requirements

- Vent system must evacuate to the exterior (through the roof or side wall).
- DO NOT terminate the vent system in an attic or other enclosed area.
- Use rigid metal/aluminum vent only.
- NEVER use plastic vent or plastic vent cover.
- Always keep the duct clean to ensure proper airflow.
- Calculate the following figures before installation:
 1. Distance from the floor to the ceiling.
 2. Distance between the floor and the countertop/cooking surface.
 3. Distance between the range hood and the countertop/cooking surface which is recommended at 27" to 30".
 4. Height of hood and duct cover with the cabinet.

For the most efficient & quiet operation:

- It is recommended that the range hood be vented vertically through the roof through 8" (20.3 cm) round metal/aluminum vent or vented horizontally through the wall through a rectangular vent measuring 3 1/4" x 10".
- The size of the vent should be uniform.
- If venting vertically, do not use more than three 90° elbows. Do not install two elbows together.
- Make sure there is a minimum of 24" (61 cm) of straight vent between the elbows if more than one elbow is used.
- The length of vent system and number of elbows should be kept to a minimum to provide efficient performance.
- The vent system must have a damper. If roof or wall cap has a damper, **DO NOT** use damper (if supplied) on top of the range hood.
- Use duct tape to seal all joints in the vent system.
- Use caulking to seal exterior wall or roof opening around the cap.

Height & Clearance



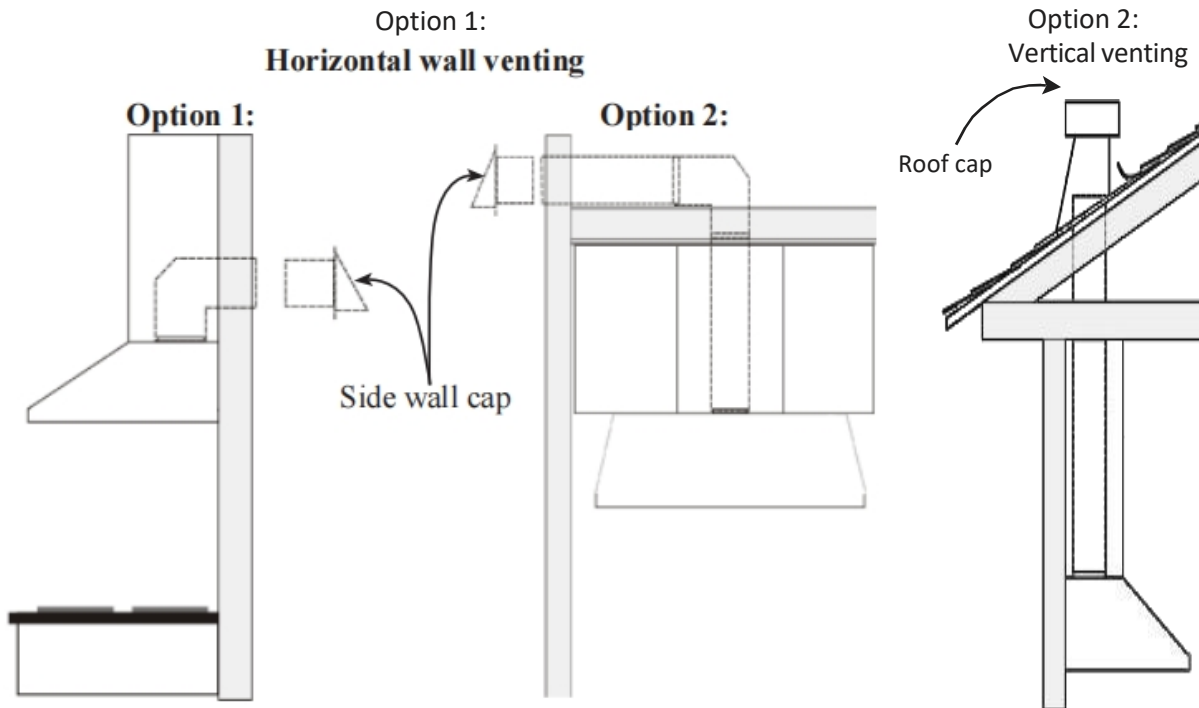
IMPORTANT

- A minimum of 8" round (standard for this range hood) must be used to maintain maximum airflow efficiency.
- Always use rigid type metal/aluminum ducts if available to maximize airflow when connecting to duct provided.

VENTING METHODS

INSTALLATION DIAGRAMS

- Vent work can terminate either through the roof or wall. To vent through a wall, a 90° elbow may be needed.
- This range hood is factory set for vertical venting using round or rectangular vent adapter but can be converted to horizontal venting by swapping the round vent adapter on top with rectangular vent adapter behind the range hood as shown below:




ELECTRICAL REQUIREMENTS AND INSTALLATION WARNING

THIS RANGE HOOD MUST BE PROPERLY GROUNDED. TURN OFF ELECTRICAL POWER AT SERVICE ENTRANCE BEFORE WIRING. CHECK TO MAKE SURE THAT THE ELECTRIC CORD IS NOT IN CONTACT WITH THE SHARP EDGES OF THE APPLIANCE.

IMPROPER GROUNDING CAN RESULT IN A RISK OF ELECTRIC SHOCK. CONSULT A QUALIFIED ELECTRICIAN IF THE GROUNDING INSTRUCTIONS ARE NOT COMPLETELY UNDERSTOOD OR IF THERE IS DOUBT AS TO WHETHER THE APPLIANCE IS PROPERLY GROUNDED. DO NOT USE AN EXTENSION CORD. IF THE POWER SUPPLY CORD IS TOO SHORT, HAVE A QUALIFIED ELECTRICIAN INSTALL AN OUTLET NEAR THE APPLIANCE.


- This appliance must be plugged into an outlet that is properly installed and grounded. In the event of an electrical short circuit, grounding reduces the risk of electric shock by providing an escape wire for the electric current.
- Position the outlet offset so that the power cord will not interfere with the round duct. Make sure this does not interfere with the mounting bracket.

ADVANCED PREPARATION



WARNING

Three or more persons are required to move and install this range hood. Spinal or other bodily injuries could occur if these instructions are not followed.

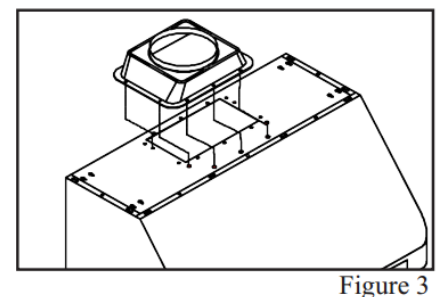
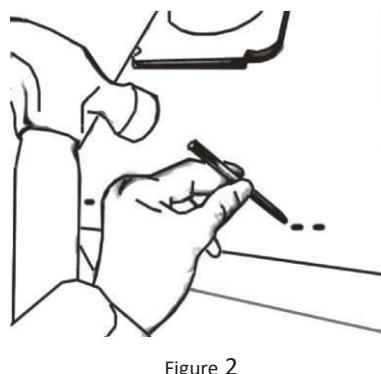
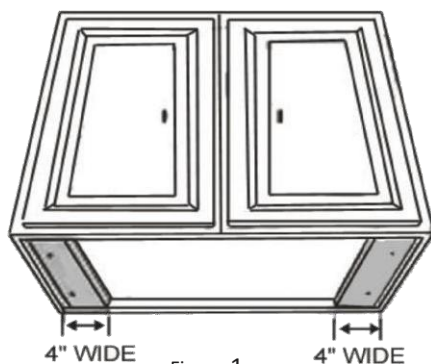


WARNING

Risk of severe injury
Rotating fan can cause severe injury. Stay clear of fan when motor is running.

- Decide on the location of the venting pipe from the hood to the outside.
- A straight, short vent run will allow the hood to perform more efficiently. Try to avoid as many transitions, elbows and long runs as possible. This may reduce the hood's performance.
- Use duct tape to seal joints between pipe sections.
- For installing under the cabinet with recessed bottom, attach 4" wide wood filler strips (not provided) on each side. See Figure 1.
- Using references in measurements and installation diagrams (see page 7), create access opening for electrical wires and hood exhaust under the cabinet.

CAUTION: If moving the cooking range to install the hood, turn OFF the power at the main electrical box. SHUT OFF THE GAS BEFORE MOVING A GAS RANGE.

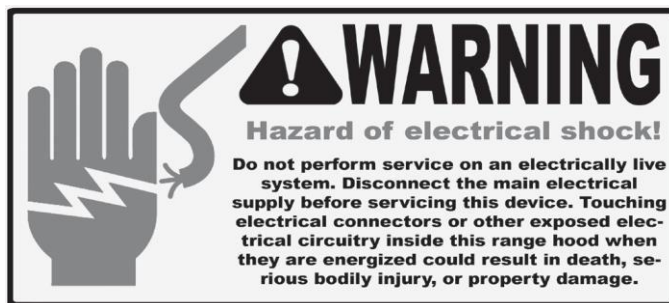


- Puncture the knockout holes (for mounting under the cabinet) on the hood as shown in Figure 2.
- If necessary, attach two rubber stands with adhesive tapes to the back corners of the hood.
- Attach ducting transition to hood exhaust with included 10 round head screws as shown in Figure 3.

INSTALLATION

Measure the distance between the cooking surface and the bottom of the range hood. A distance of 27" to 30" is recommended*.

* Due to different ceiling height configurations, the recommended height may not be applicable.



Step 1: Determine the venting method and proceed if you would like to vent **VERTICALLY**.

(see INSTALLATION DIAGRAMS on page 7):

- a. Using references in the *Height & Clearance* diagram, determine and clearly mark the centerline on the bottom of the cabinet.
- b. Draw electrical wires through cabinet access opening on top of the range hood (refer to figure 3), center the hood beneath the cabinet and flush with the front of the cabinet.
- c. From inside the hood, place hood mounting screws in the exact center of each knockout holes and secure to the cabinet bottom. Tighten all screws until secure. Be careful when using electrical screwdriver in order not to damage the range hood. Connect and secure the 8" round metal duct.

CAUTION: Make certain the range hood is secure before releasing!

Step 2 : For safety purpose, pre-drilled mounting holes are provided through the back of the hood. For a more secure installation, use as many mounting holes as needed to secure from the inside of hood.

Step 3 : Use 7" round steel pipe (follow building codes in your area) to connect the exhaust on the hood to the ductwork above. Use silver tape or duct tape to make all joints secure and air tight. Refer to Figure 5. **SAFETY WARNING:** Risk of electrical shock. this range hood must be properly grounded. Make sure this is done by qualified electrician in accordance with all applicable national and local electrical codes. Before connecting wires, switch power off at service panel and lock service panel to prevent power from being switched on accidentally.

Step 4 : Connect the range hood to a designated standard outlet or cut off the plug and connect three wires (black, white and green) to house wires and cap with wire connectors. Connect according to colors (i.e. black to black, white to white, and green to green) as shown in Figure 4.

Step 5 : Store excess wires in the wiring box.

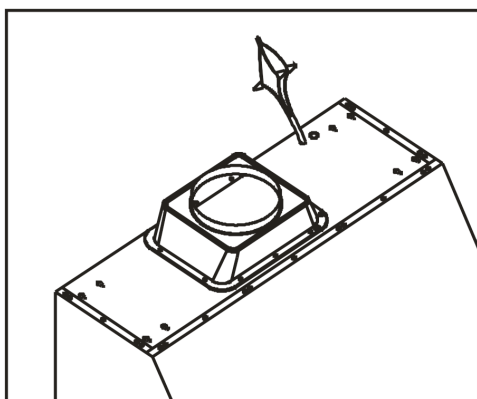


Figure 4

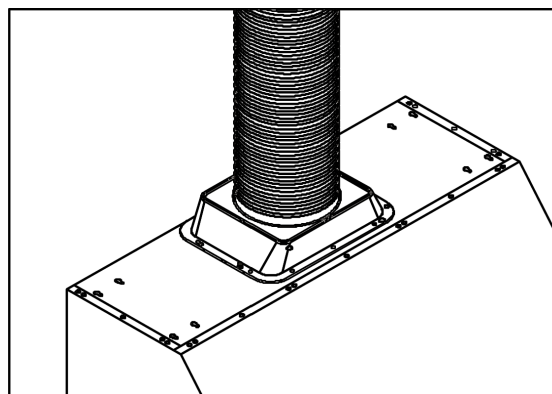


Figure 5

INSTALLATION (continued)

Step 6 :For safety purpose, pre-drilled mounting holes are provided through the back of the hood.

For a more secure installation, use as many mounting holes as needed to secure from the inside of hood.

Use an 8" round metal pipe (follow building codes in your area) to connect the exhaust on the hood to the ductwork above, as illustrated in figure 5. Use duct tape to make all joints secure and airtight.

Step 7:

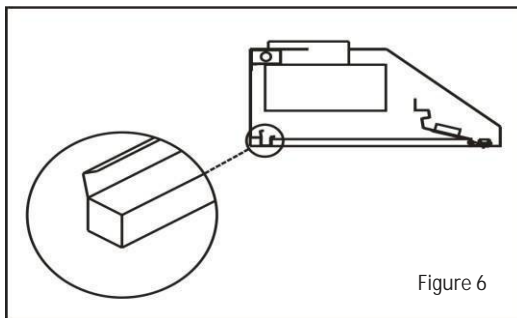


Figure 6

Drop oil tunnel into recess support near rear of hood. See figure 6.

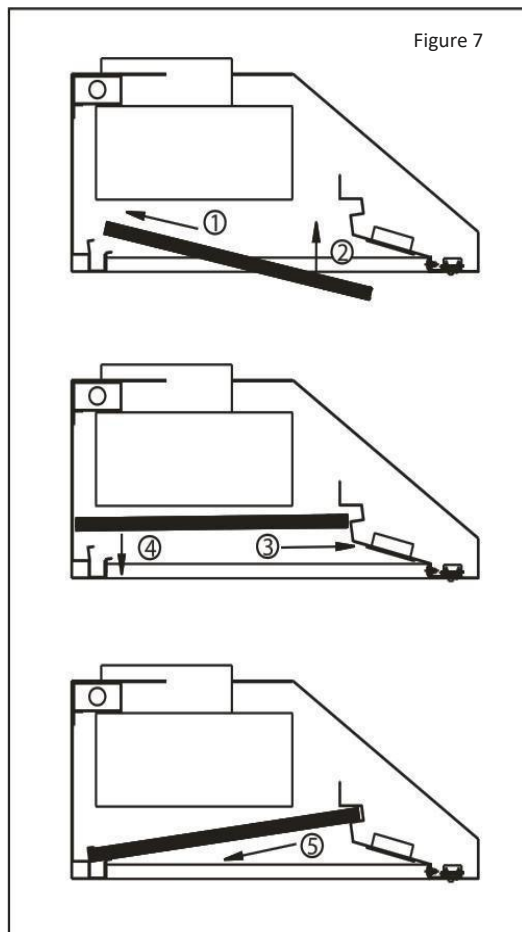


Figure 7

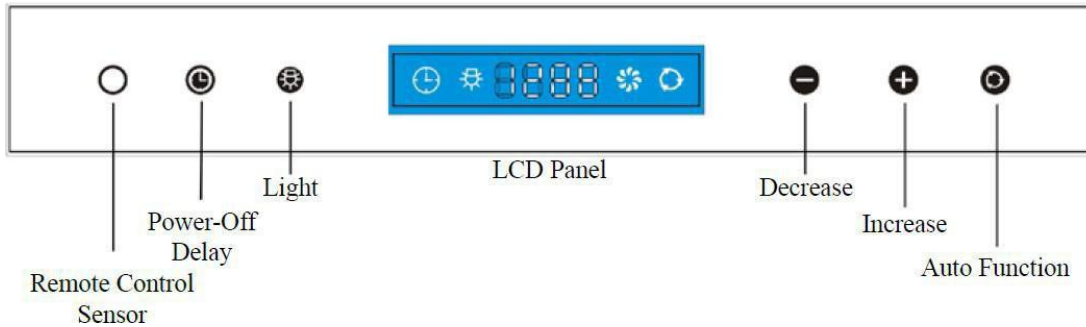
To install baffle filters and stainless spacer(s), refer to figure 7 and follow these five steps:

- ① Angle filter toward back of
- ② hood. Push filter up until
- ③ almost level.
- ④ Slide forward into recess behind the front of
- ⑤ hood. Lower filter. Slide back until it fits into resting position.

Step 8: Turn power ON in control panel. Check all lights and fan operations.

RANGE HOOD OPERATIONS

Control Panel Layout and Buttons Configurations:



In addition to the remote-control feature, this range hood is also equipped with a heat sensor that will selfcalibrate in 5 seconds when the range hood is first electrically activated and beeps when selfcalibration is done. To conserve energy, the LCD panel will turn off automatically after 5 seconds of inactivity.

Adjusting Heat Sensitive Auto Speed (HSAS) Function:

- Press *Auto Function* button to Turn On/Off the Auto Mode. The Auto Function Icon will appear in the LCD Panel when Auto Mode is On.
- While the range hood is off, press and hold *Auto Function* button to enter the temperature setting mode. Press *Increase* or *Decrease* button to adjust the comparison temperature value between the internal and external heat sensors from 8°F to 20°F. The temperature setting mode will exit automatically after 5 seconds of inactivity.
- While the range hood is off and Auto Function is activated, the blower will turn on to its highest speed automatically when the internal temperature is 4 times above the external temperature. Then it will adjust the speed level (between speed levels F4 to F1) automatically according to the detected temperature between the sensors (4 times to 1 time). The speed level can also be manually overwritten by press the *Increase* or *Decrease* button and Auto Function will reactivate after 2 minutes. The blower can ONLY be turned off MANUALLY or activate the delay off timer finction.

Activating Normal Blower Function:

- While the range hood is off, press *Increase* or *Decrease* button to start the blower. Press *Increase* button to increase blower speed (F1 to F4) as indicated in LCD panel. The *Increase* button cycles blower settings from off (00), quiet speed (F1), low speed (F2), medium speed (F3) to high speed (F4).
- While the range hood is on and the blower is running, press *Decrease* button to decrease blower speed (F4 to F1) as indicated in LCD panel. The *Decrease* button cycle blower settings from highspeed (F4), to medium speed (F3), low speed (F2), quiet speed (F1) to off (00).

Activating Light Function:

- Press Light button once to turn on the lights, and once again to turn off the lights.

CAUTION: DO NOT touch the lights until switched OFF and cooled.

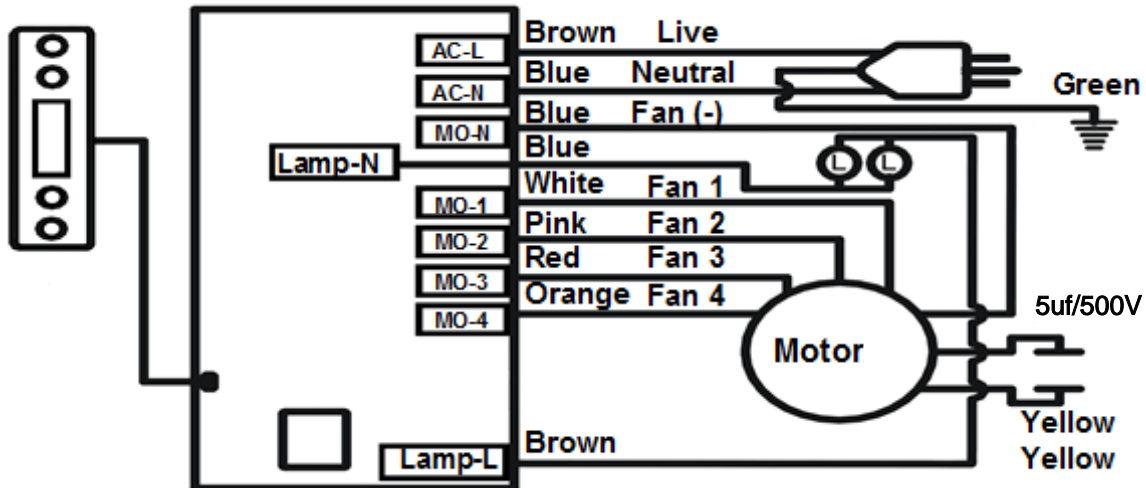
Activating Power-Off Delay Function:

- While the range hood is on and the blower is running, press Power-Off Delay button to activate delay off timer and “Power-Off Delay” icon will appear in LCD panel .Adjust to desired period of delay off timer by pressing Increase or Decrease button (minimum 1 minute to maximum 15minutes. Timer begins to countdown immediately, when it reaches 0, the blower will shut off.

Adjusting Clock Function:

- While the range hood is off, press Power-off Delay button once to enter the clock setting mode, press Increase or Decrease button to set the Hour. Press the Power-off Delay button again to set the Min. Press the Power-off Delay button again to exit the clock setting mode.

CIRCUIT DIAGRAM



SPECIFICATIONS

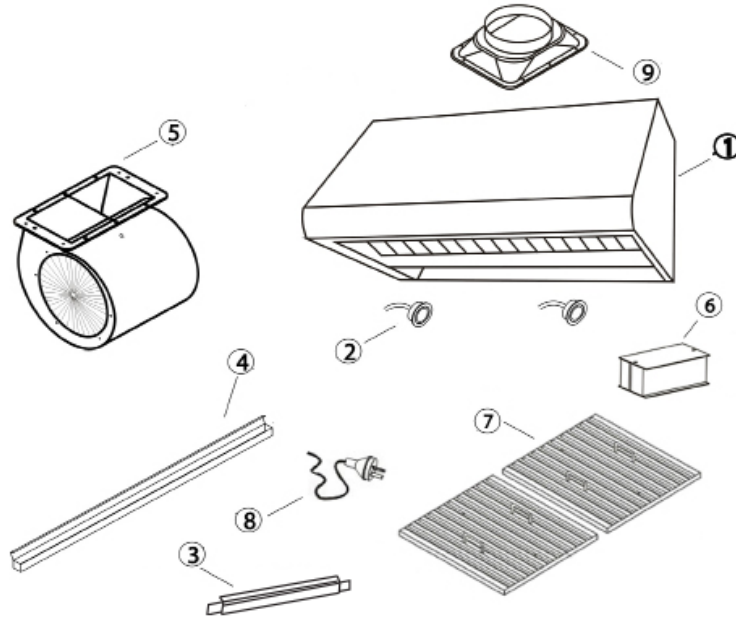
Specifications ³ :	
Body Design	Stainless Steel, Satin Finish
Power Rating	220-240V/50Hz
General Input Power	240W + # of Light x Voltage of Light
Motor Input Power	240W
Ampere	3A
Levels Of Speed Control	4 Levels
Airflow(Max)	1000CFM
Noise Level (dB / sone)	1.4Sone(45dB) / 3.5Sone(58dB) / 7.0Sone(68dB) / 8.0Sone(70dB)
Number Of Motors	Single Motor
Motor Type	Dual Chamber Ultra Quiet
Fan Type	Dual Centrifugal Squirrel Cage
Control Type	Touch Sensitive Electronic Control Panel w/ Heat Sensor & Remote
Filtration Type	Stainless Steel Baffle Filter
Illumination	3W 12V LED Light
Venting Size	Top, 8 inches Round
Interference Protection	Radio Frequency Interference Protected

1. In House Test Static Pressure "0".

2. One sone is roughly equivalent to the sound of a refrigerator (1kHz) at 40 decibels.
3. Subject to change without notice, please contact your local reseller for details.

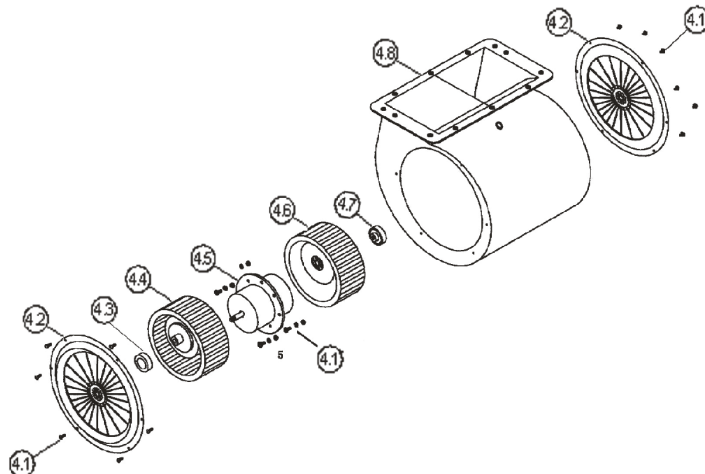
RANGE HOOD ASSEMBLY

No.	Description	Quantity
1	Hood Body	1
2	Light	2
3	Control Panel	1
4	Oil Tunnel	1
5	Blower Assembly (Motor, Fan Blade, Protective Grill and Squirrel Cage)	1
6	Electrical Assembly	1
7	Baffle Filter	3(36")/ 4(48")
8	Power Cord	1
9	Ducting Transition	1



BLOWER ASSEMBLY

No.	Description	No.	Description
4.1	Screw	4.5	Motor
4.2	Air Flow Grill	4.6	Right Squirrel Cage
4.3	Left Locknut	4.7	Right Locknut
4.4	Left Squirrel Cage	4.8	Air Chamber



MAINTENANCE

SAFETY WARNING: NEVER PUT YOUR HAND INTO AREA HOUSING THE FAN

For optimal operation, clean range hood, surfaces and filters regularly. Regular care will help preserve the appearance of the range hood.

CLEANING THE EXTERIOR SURFACES

Clean periodically with hot soapy water and clean cotton cloth. Do not use corrosive or abrasive detergent or steel wool pads, which will scratch and damage the stainless-steel surface. For heavier soil, use a liquid degreasing cleaner. Use a stainless-steel cleaner to clean the surface of the hood. Avoid getting cleaning solution onto or into the control panel. Follow directions of the stainless-steel cleaner.

CAUTION

USE SOFT TOWEL TO WIPE OFF THE CLEANING SOLUTION, GENTLY RUB OFF ANY STUBBORN SPOTS. USE DRY SOFT TOWEL TO DRY THE HOOD. ALWAYS SCRUB LIGHTLY WITH CLEAN COTTON CLOTH AND IN THE DIRECTION OF THE GRAIN.

DO NOT ALLOW DEPOSITS TO ACCUMULATE OR REMAIN ON THE HOOD. DO NOT USE ORDINARY STEEL WOOL OR STEEL BRUSHES. SMALL BITS OF STEEL MAY ADHERE TO THE SURFACE AND CAUSE RUSTING.

DO NOT ALLOW SALT SOLUTIONS, DISINFECTANTS, BLEACHES OR CLEANING COMPOUNDS TO REMAIN IN CONTACT WITH STAINLESS STEEL FOR EXTENDED PERIODS. MANY OF THESE COMPOUNDS CONTAIN CHEMICALS, WHICH MAY BE HARMFUL. RINSE WITH WATER AND WIPE DRY WITH A CLEAN CLOTH.

CLEANING THE GREASE FILTER

The filters are intended to filter out residue and grease from cooking and are required to be kept clean. Filters should be cleaned after every 30 hours of use (or once a month, depending on use). Remove and clean by hand in soapy water or in the dishwasher. Dry filters and re-install. If cleaning the filters in the dishwasher, use a non-phosphate detergent. The use of detergent with phosphate may cause discoloration of the filters but will not affect their performance. This discoloration is not covered by the warranty.

REPLACING THE FILTERS

If filters wear out due to prolonged use, please contact your service/parts provider for replacement filters.

NOTE: ALSO REPLACE DAMAGED FILTER THAT HAS PUNCTURED OR BROKEN MESH, BENT OR BROKEN FRAME.

CLEANING THE STAINLESS-STEEL SURFACE

Regularly wash surface with dry cloth or clean cloth soaked in warm water and mild soap or liquid dish detergent. Always clean following the grain. Always rinse thoroughly with clear water (2-3 times) and wipe dry completely. Specially designed stainless-steel cleaners can also be used.

GREASE CUP

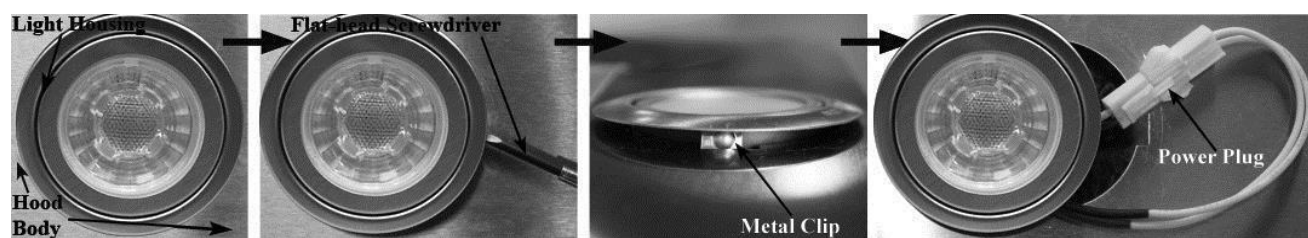
Take good care of installing the grease tunnel properly and to empty and clean it on a regular basis.

REPLACING THE LED LIGHT BULBS

CAUTION: LED lamps can only be replaced with a new LED lamp. The lamp rating must be equal to the one already used. Make sure all the control switches are off and the hood is unplugged, or the breaker is OFF.

Replacing the LED light fixture:

- This range hood uses LED light fixture: 3W Max 12V LED
- Make sure the range hood is unplugged or turn OFF breaker and make sure the lights are cool to touch.
- Place a flat-head screwdriver between light housing and hood body, gently pry up the light housing and search for the metal clip.
- Apply force to the metal clip and pull out the light fixture. Disconnect the power cable and discard the old light fixture.
- Reverse the steps to install a new LED light fixture. Turn ON breaker and range hood to test for operation.



SERVICE AND WARRANTY

LIMITED WARRANTY

One Year Parts Warranty:

For one year from the date of original purchase, your local reseller will provide free of charge, non-consumable replacement parts or components that failed due to manufacturing defects. Subject to the conditions and limitations set forth below, your local reseller will, at its option, either repair or replace any part of its products that prove defective by reason of improper workmanship or materials. Repaired parts or replacement products will be provided by your local reseller on an exchange basis, and will be either new or refurbished to be functionally equivalent to new. The consumer is responsible for all shipping costs. Consumable parts not covered by this warranty include but not limited to: Light bulbs, metal and control panel.

Who is Covered:

This warranty is extended to the original purchaser for products purchased for ordinary home use.

This Warranty Will Be Voided When:

Product damaged through negligence, improper installation, accident, abuse, misuse, natural disaster, insufficient or excessive electrical supply, abnormal mechanical or environmental conditions, or any unauthorized disassembly, repair, modification, or failure to follow installation instructions. When product is used commercially or other than its intended purpose. Damaged because of improper connection with equipment of other manufacturers. Repaired or modified by anyone other than your local reseller's authorized agents. This limited warranty also does not apply to any product on which the original identification information has been altered, obliterated or removed, has not been handled or packaged correctly or has been sold as second-hand.

What is Not Covered:

Consumable parts such as light bulbs, metal and control panel. The natural wear of finish, and wear due to improper maintenance, use of corrosive and abrasive cleaning products, pads, and oven cleaner products. Chips, dents or cracks due to abuse, misuse, freight damage, or improper installation. Damage of product caused by accident, fire, floods or act of God. The manufacturer and/or distributor/reseller is not liable for, and does not cover under warranty, any loss of properties or any costs associated with removing, servicing, installing, or determining the source of problems with this product.

This warranty is valid in the country of the original purchase at retail. It is non-transferable and applies only to the original purchaser and does not extend to subsequent owners of this product. Any applicable implied warranties, including the warranty of merchantability, are limited in duration to a period of express warranty as provided herein beginning with the date of original purchase at retail and, no warranties, whether express or implied, shall apply to this product thereafter.

To obtain warranty service, you may contact your local reseller from which you purchased this product. Please confirm the terms of your local reseller's policies prior to contacting. Typically, you must include product identification information, including model number and serial number with a detailed description of the problem you are experiencing. You must also include proof of the date of original retail purchase as evidence that the product is within the applicable warranty period.

Contact Us

If you need any assistance, please contact your local reseller. Please have your order number and model of the range hood ready. This information will help them better respond to your request.

If you need replacement parts, we recommend that you only use genuine parts. Our accessories and parts are engineered and designed specifically for this series of range hood, each is rigorously tested assuring the utmost in durability and reliability, providing a factory match, factory-installed appearance and functionality tailored to each individual range hood model.

