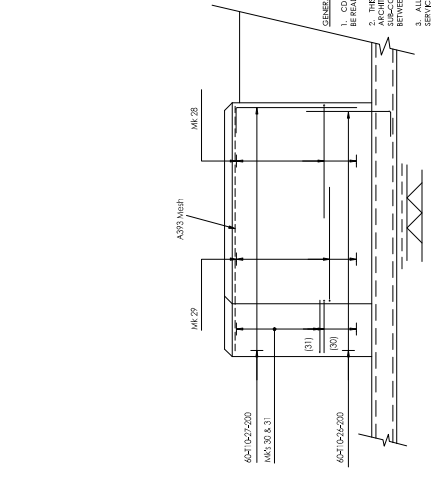
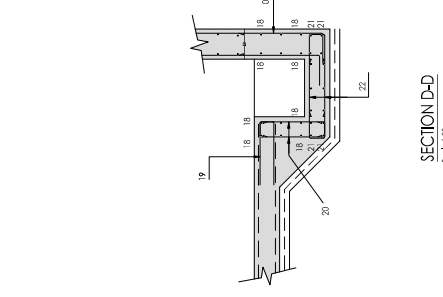


ALL DIMENSIONS ARE IN METERS UNLESS OTHERWISE SPECIFIED. DIMENSIONS IN PARENTHESES ARE IN FEET AND INCHES. DIMENSIONS IN PARENTHESES ARE TO BE USED FOR CONSTRUCTION OF THE WORK. DIMENSIONS IN PARENTHESES ARE TO BE USED FOR CONSTRUCTION OF THE WORK. DIMENSIONS IN PARENTHESES ARE TO BE USED FOR CONSTRUCTION OF THE WORK.

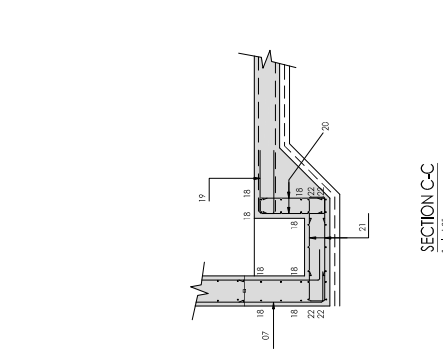
NO.	REVISION	DATE	BY	CHKD.
1	ISSUED FOR TENDER			
2				
3				
4				
5				
6				
7				
8				
9				
10				



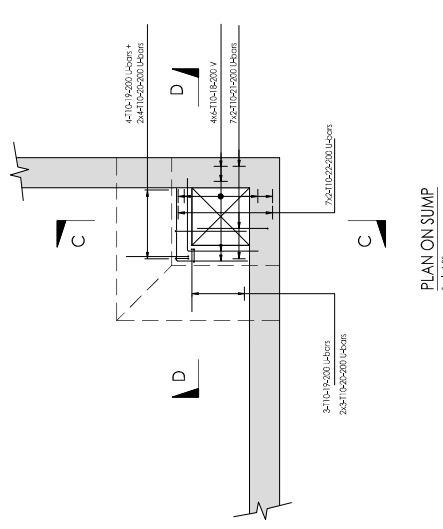
PLAN ON SUMP
Scale: 1:25



SECTION C-C
Scale: 1:25



SECTION D-D
Scale: 1:25



ELEVATION F-F
Scale: 1:25

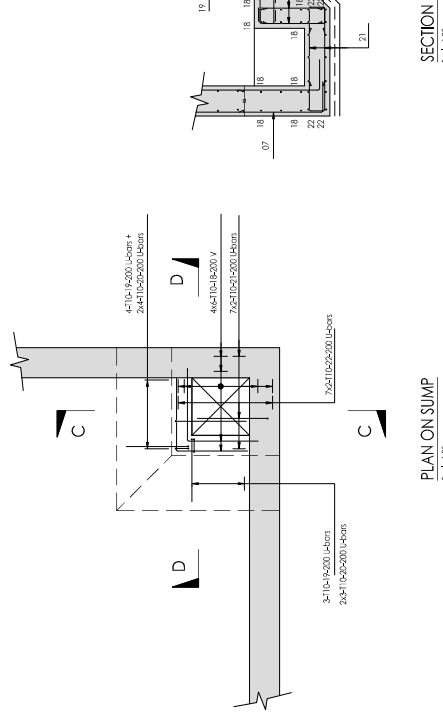
GENERAL CONCRETE NOTES:
1. ALL CONCRETE WORK SHALL BE DONE IN ACCORDANCE WITH THE RELEVANT STANDARDS AND SPECIFICATIONS.
2. THE DRAWINGS TO BE READ IN CONJUNCTION WITH ALL RELEVANT ARCHITECTS, ENGINEERS, SERVICE ENGINEER AND SPECIALIST CONTRACTOR'S DRAWINGS AND SPECIFICATIONS.
3. ALL SETTINGS AND DIMENSIONS ARE TO BE CONFIRMED BY ARCHITECTS AND SERVICE ENGINEER PRIOR TO ANY CONSTRUCTION WORK.
4. ALL CONCRETE WORK SHALL MEET THE REQUIREMENTS OF BS 8110 AND THE RELEVANT STANDARDS AND SPECIFICATIONS.
5. ALL CONCRETE WORK SHALL BE DONE IN ACCORDANCE WITH THE RELEVANT STANDARDS AND SPECIFICATIONS.
6. ALL CONCRETE WORK SHALL BE DONE IN ACCORDANCE WITH THE RELEVANT STANDARDS AND SPECIFICATIONS.
7. ALL CONCRETE WORK SHALL BE DONE IN ACCORDANCE WITH THE RELEVANT STANDARDS AND SPECIFICATIONS.
8. ALL CONCRETE WORK SHALL BE DONE IN ACCORDANCE WITH THE RELEVANT STANDARDS AND SPECIFICATIONS.
9. ALL CONCRETE WORK SHALL BE DONE IN ACCORDANCE WITH THE RELEVANT STANDARDS AND SPECIFICATIONS.
10. ALL CONCRETE WORK SHALL BE DONE IN ACCORDANCE WITH THE RELEVANT STANDARDS AND SPECIFICATIONS.

LOCATION:	GRADE:	FINISH:
GROUND BEAMS	C40/50	U/TYPE A
WALLS AND PARTIAL WALLS	C40/50	U/TYPE A
GROUND FLOOR SLAB	C40/50	U/TYPE A
REINFORCED CONCRETE	C40/50	U/TYPE A
STAIRS	C40/50	U/TYPE A
COLUMNS	C40/50	U/TYPE A

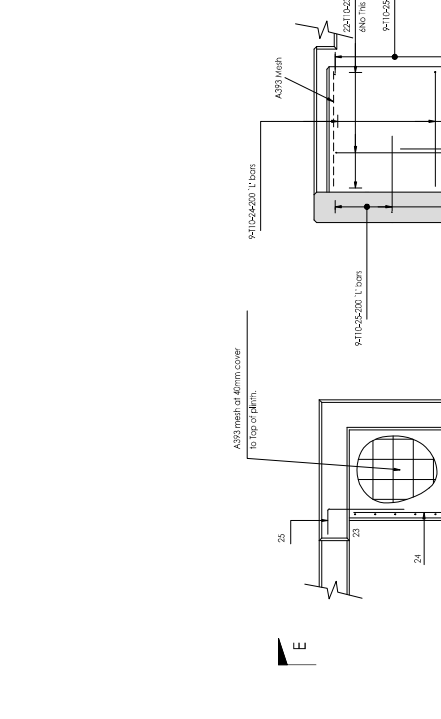
*SAMPLES REQUIRED FOR APPROVAL BY CONTRACT ADMINISTRATOR PRIOR TO COMMENCEMENT OF CASTING CONTRACT SLAB.
1. ALL CONCRETE WORK SHALL BE DONE IN ACCORDANCE WITH THE RELEVANT STANDARDS AND SPECIFICATIONS.
2. THE DRAWINGS TO BE READ IN CONJUNCTION WITH ALL RELEVANT ARCHITECTS, ENGINEERS, SERVICE ENGINEER AND SPECIALIST CONTRACTOR'S DRAWINGS AND SPECIFICATIONS.
3. ALL SETTINGS AND DIMENSIONS ARE TO BE CONFIRMED BY ARCHITECTS AND SERVICE ENGINEER PRIOR TO ANY CONSTRUCTION WORK.
4. ALL CONCRETE WORK SHALL MEET THE REQUIREMENTS OF BS 8110 AND THE RELEVANT STANDARDS AND SPECIFICATIONS.
5. ALL CONCRETE WORK SHALL BE DONE IN ACCORDANCE WITH THE RELEVANT STANDARDS AND SPECIFICATIONS.
6. ALL CONCRETE WORK SHALL BE DONE IN ACCORDANCE WITH THE RELEVANT STANDARDS AND SPECIFICATIONS.
7. ALL CONCRETE WORK SHALL BE DONE IN ACCORDANCE WITH THE RELEVANT STANDARDS AND SPECIFICATIONS.
8. ALL CONCRETE WORK SHALL BE DONE IN ACCORDANCE WITH THE RELEVANT STANDARDS AND SPECIFICATIONS.
9. ALL CONCRETE WORK SHALL BE DONE IN ACCORDANCE WITH THE RELEVANT STANDARDS AND SPECIFICATIONS.
10. ALL CONCRETE WORK SHALL BE DONE IN ACCORDANCE WITH THE RELEVANT STANDARDS AND SPECIFICATIONS.

FOR TENDER
ARC:MC
MISSION CRITICAL
100100 St John Street
London EC1A 4DB
Tel: 020 34112321
Email: info@arc-mc.com

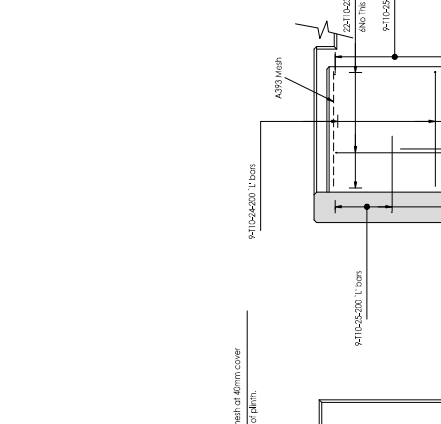
NO.	REVISION	DATE	BY	CHKD.
1	ISSUED FOR TENDER			
2				
3				
4				
5				
6				
7				
8				
9				
10				



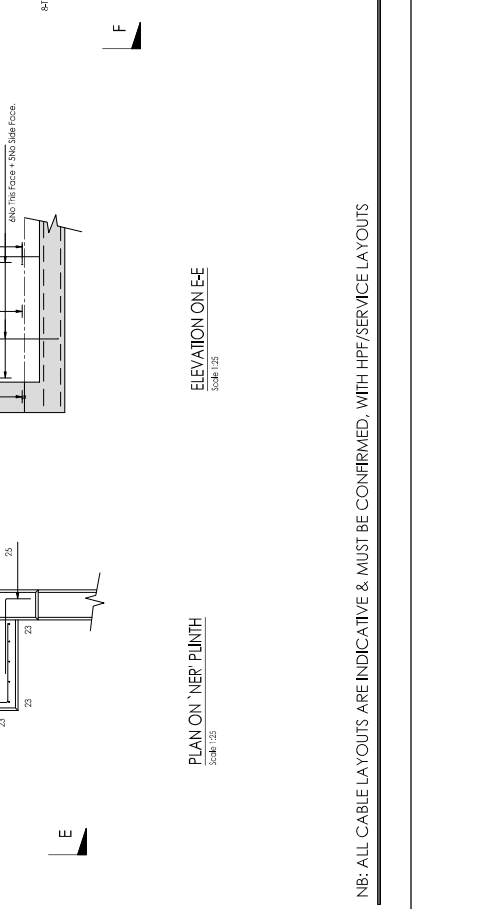
PLAN ON 'NER' PLINTH
Scale: 1:25



ELEVATION ON E-E
Scale: 1:25



PLAN ON TRANSFORMER PLINTH
Scale: 1:25



ELEVATION F-F
Scale: 1:25

NB: ALL CABLE LAYOUTS ARE INDICATIVE & MUST BE CONFIRMED, WITH HPF/SERVICE LAYOUTS

ALL DIMENSIONS ARE IN METERS UNLESS OTHERWISE SPECIFIED. ALL DIMENSIONS ARE TO FACE UNLESS OTHERWISE SPECIFIED. ALL DIMENSIONS ARE TO FACE UNLESS OTHERWISE SPECIFIED. ALL DIMENSIONS ARE TO FACE UNLESS OTHERWISE SPECIFIED.

NO.	REVISION	DATE	BY	CHKD.
1	ISSUED FOR PERMIT	14.01.2018
2	ISSUED FOR CONSTRUCTION
3	ISSUED FOR CONSTRUCTION
4	ISSUED FOR CONSTRUCTION

GENERAL CONCRETE NOTES:

- CDM REGULATION NO DRAWING OR OTHER DESIGN INFORMATION SHOULD BE READ WITHOUT REFERENCE TO THE HEALTH AND SAFETY PLAN.
- THE DRAWING IS TO BE READ IN CONJUNCTION WITH ALL RELEVANT SUB-CONTRACTOR DRAWINGS AND SPECIFICATIONS. ANY DISCREPANCIES BETWEEN THESE DRAWINGS ARE TO BE REPORTED IMMEDIATELY.
- THE CONTRACTOR SHALL BE RESPONSIBLE FOR THE ACCURACY OF ALL DIMENSIONS AND FOR THE CORRECT FIXING OF THE REINFORCEMENT.
- MINIMUM COVER TO REINFORCEMENT TO BE 40mm UNLESS NOTED OTHERWISE.
- REINFORCEMENT TO BE HOT ROLLED HIGH YIELD BARS TYPE 2 UNIFORM BAR WITH SPOTTED OR SCHEDULED OR LOCAL REINFORCEMENT MAY NOT BE USED UNLESS SPECIFICALLY NOTED OTHERWISE BY THE CONTRACTOR.
- REINFORCEMENT TO BE BENT ON BAR BENDING SCHEDULE.
- ALL REINFORCEMENT TO BE TO BS 4449 UNLESS OTHERWISE NOTED OTHERWISE.
- MINIMUM LAP OF REINFORCEMENT TO BE AS FOLLOWS UNLESS NOTED OTHERWISE:

BAR DIA	A 393 MESH	10	10	400
LAP	350	350	350	400

NO.	REVISION	DATE	BY	CHKD.
1	ISSUED FOR PERMIT	14.01.2018
2	ISSUED FOR CONSTRUCTION
3	ISSUED FOR CONSTRUCTION
4	ISSUED FOR CONSTRUCTION

MINIMUM LAP OF REINFORCEMENT TO BE AS FOLLOWS UNLESS NOTED OTHERWISE:

BAR DIA	A 393 MESH	10	10	400
LAP	350	350	350	400

MINIMUM LAP OF REINFORCEMENT TO BE AS FOLLOWS UNLESS NOTED OTHERWISE:

NO.	REVISION	DATE	BY	CHKD.
1	ISSUED FOR PERMIT	14.01.2018
2	ISSUED FOR CONSTRUCTION
3	ISSUED FOR CONSTRUCTION
4	ISSUED FOR CONSTRUCTION

MINIMUM LAP OF REINFORCEMENT TO BE AS FOLLOWS UNLESS NOTED OTHERWISE:

BAR DIA	A 393 MESH	10	10	400
LAP	350	350	350	400

MINIMUM LAP OF REINFORCEMENT TO BE AS FOLLOWS UNLESS NOTED OTHERWISE:

BAR DIA	A 393 MESH	10	10	400
LAP	350	350	350	400

MINIMUM LAP OF REINFORCEMENT TO BE AS FOLLOWS UNLESS NOTED OTHERWISE:

BAR DIA	A 393 MESH	10	10	400
LAP	350	350	350	400

MINIMUM LAP OF REINFORCEMENT TO BE AS FOLLOWS UNLESS NOTED OTHERWISE:

BAR DIA	A 393 MESH	10	10	400
LAP	350	350	350	400

MINIMUM LAP OF REINFORCEMENT TO BE AS FOLLOWS UNLESS NOTED OTHERWISE:

BAR DIA	A 393 MESH	10	10	400
LAP	350	350	350	400

MINIMUM LAP OF REINFORCEMENT TO BE AS FOLLOWS UNLESS NOTED OTHERWISE:

BAR DIA	A 393 MESH	10	10	400
LAP	350	350	350	400

MINIMUM LAP OF REINFORCEMENT TO BE AS FOLLOWS UNLESS NOTED OTHERWISE:

BAR DIA	A 393 MESH	10	10	400
LAP	350	350	350	400

MINIMUM LAP OF REINFORCEMENT TO BE AS FOLLOWS UNLESS NOTED OTHERWISE:

BAR DIA	A 393 MESH	10	10	400
LAP	350	350	350	400

MINIMUM LAP OF REINFORCEMENT TO BE AS FOLLOWS UNLESS NOTED OTHERWISE:

BAR DIA	A 393 MESH	10	10	400
LAP	350	350	350	400

MINIMUM LAP OF REINFORCEMENT TO BE AS FOLLOWS UNLESS NOTED OTHERWISE:

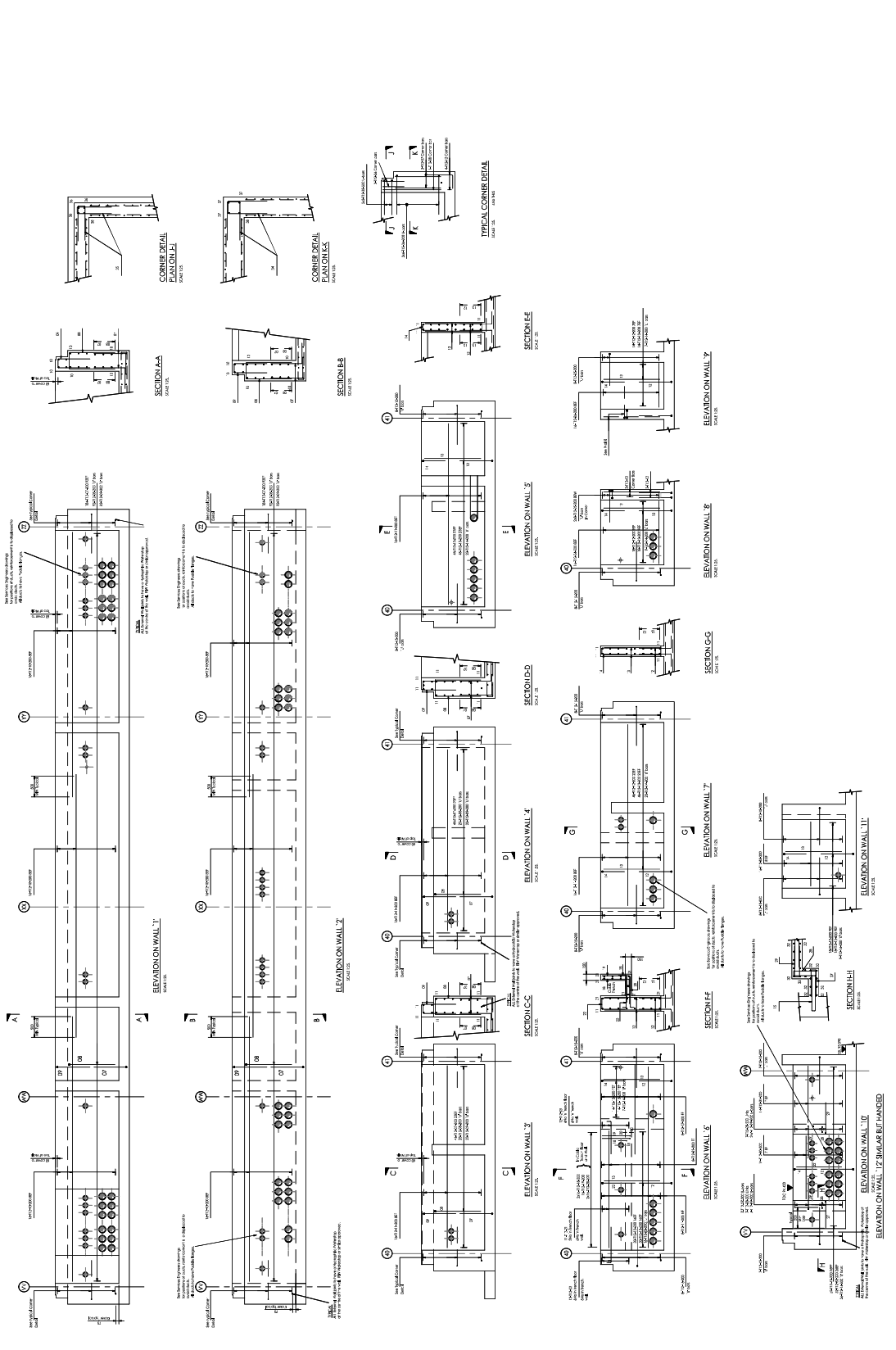
BAR DIA	A 393 MESH	10	10	400
LAP	350	350	350	400

MINIMUM LAP OF REINFORCEMENT TO BE AS FOLLOWS UNLESS NOTED OTHERWISE:

BAR DIA	A 393 MESH	10	10	400
LAP	350	350	350	400

MINIMUM LAP OF REINFORCEMENT TO BE AS FOLLOWS UNLESS NOTED OTHERWISE:

BAR DIA	A 393 MESH	10	10	400
LAP	350	350	350	400



NOTE:
Finished floor levels to be +1.2m from a common vertical datum line over any 25m length of the floor.

NB: ALL CABLE LAYOUTS ARE INDICATIVE & MUST BE CONFIRMED WITH HPF/SERVICE LAYOUTS

140-142 St. John Street
London EC1V 4BB
Tel: +44 (0)20 7417 1111
Fax: +44 (0)20 7417 1112
www.arc-mc.com
PROPOSED IN-AREA DEVELOPMENT
REF: 14018/000
PROJECT: PROPOSED IN-AREA DEVELOPMENT
DRAWN BY: PROPOSED IN-AREA DEVELOPMENT
CHECKED BY: PROPOSED IN-AREA DEVELOPMENT
DATE: 14.01.2018
SCALE: 1:50 (B.A.)
SHEET NO: 14018/000