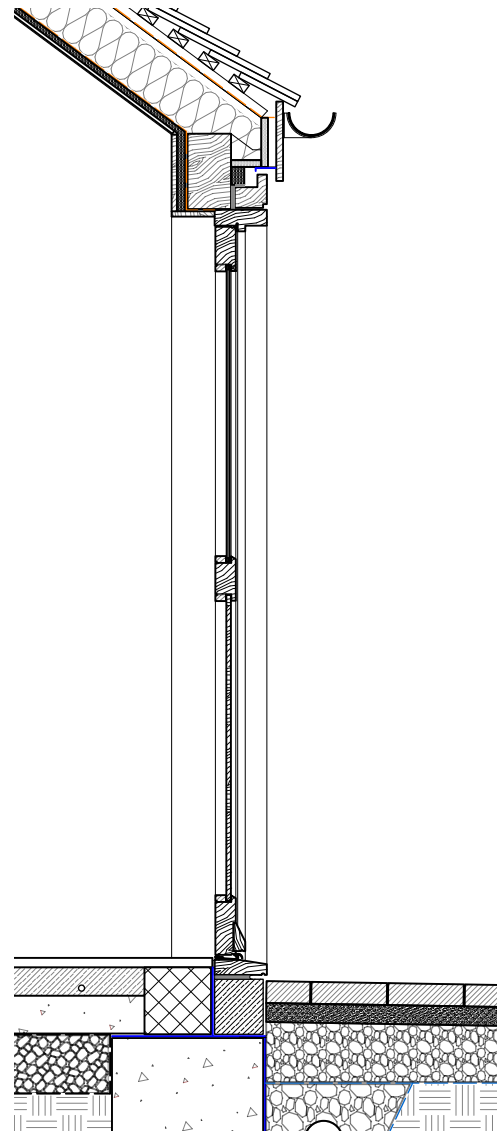
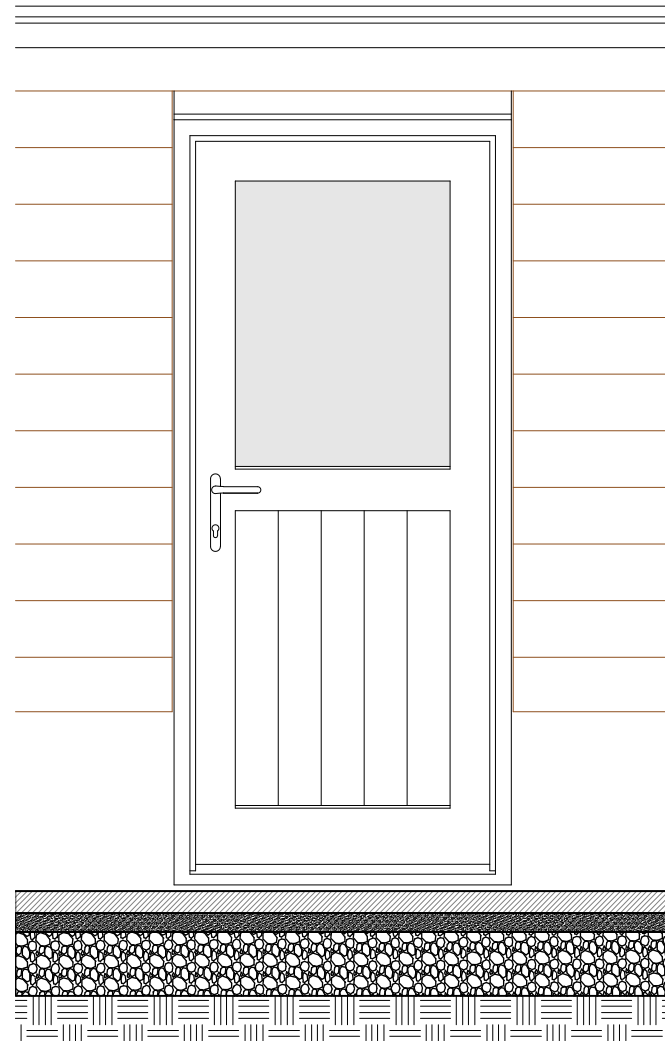


PLAN



SECTION



ELEVATION

Barn/ Annex External Door D0.21 & D0.22:

Door and liner all from oak.
finish: low sheen varnish.

Glazing:
12mm slim heritage double glazing
consisting of toughened 4mm low iron
glass with low emissivity coating to inner
pane, and warm edge spacer bar in black.



TO BE READ IN CONJUNCTION WITH:
- DRAWING "2212_ASH COTTAGES WINDOW & DOOR REFERENCES"
- DRAWING "2212_2331 BARN PROPOSED SECTION"

Project Address
1-3 Ash Cottages
Albury Road
Little Hadham SG11 2DQ

Drawing Title
3/23/0424/LBC Condition 4
DETAIL: Barn/ Annex
External Door

Drawing No.:	2212_2509	Revision:	
Scale@A1:	10	Scale@A3:	20
Scale@A3:	20	Rev. Date:	
Drawn by:	RP	Date:	17/10/2023
Status:	DoC		

Pardon
Chambers
Architects