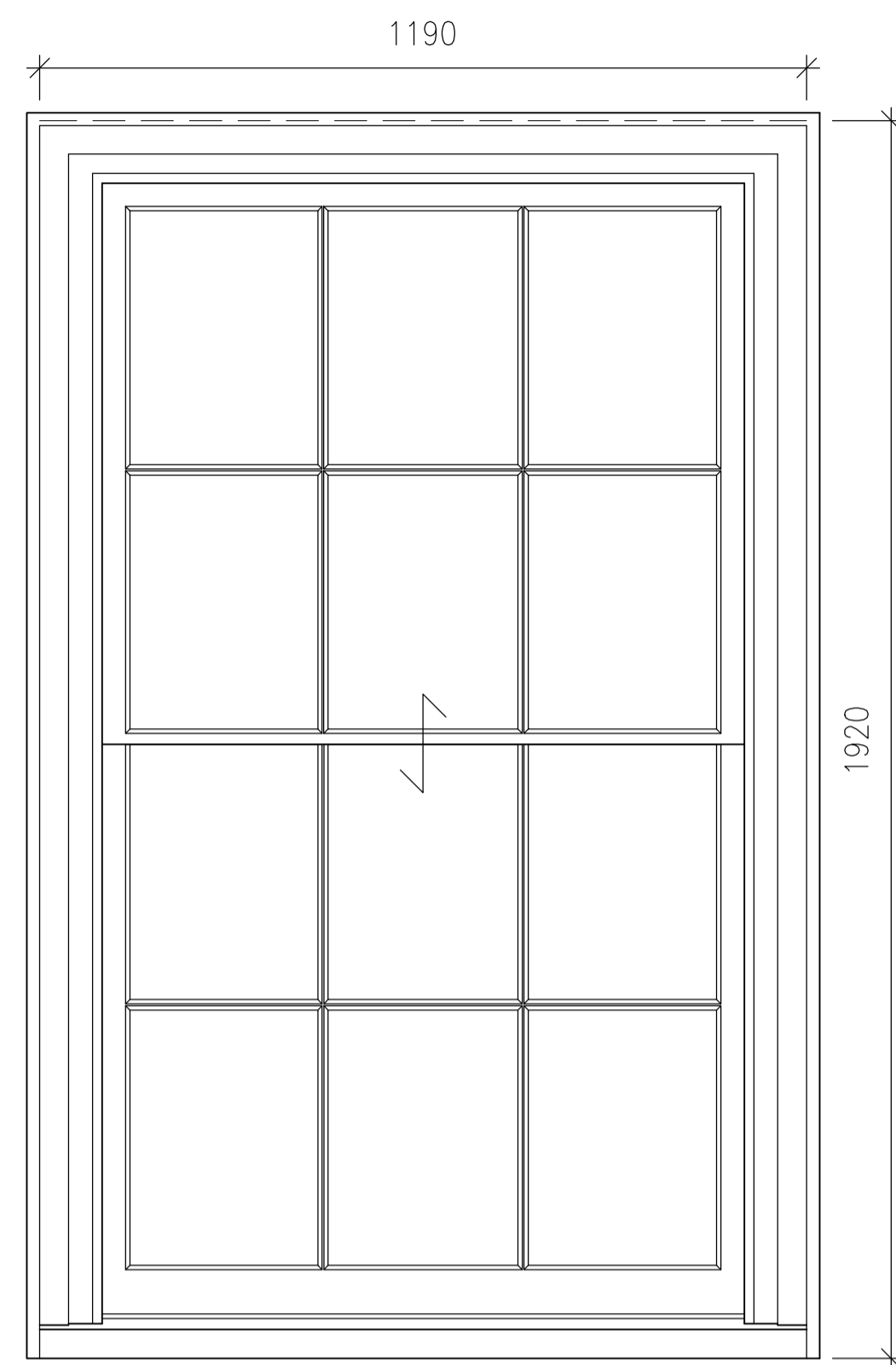
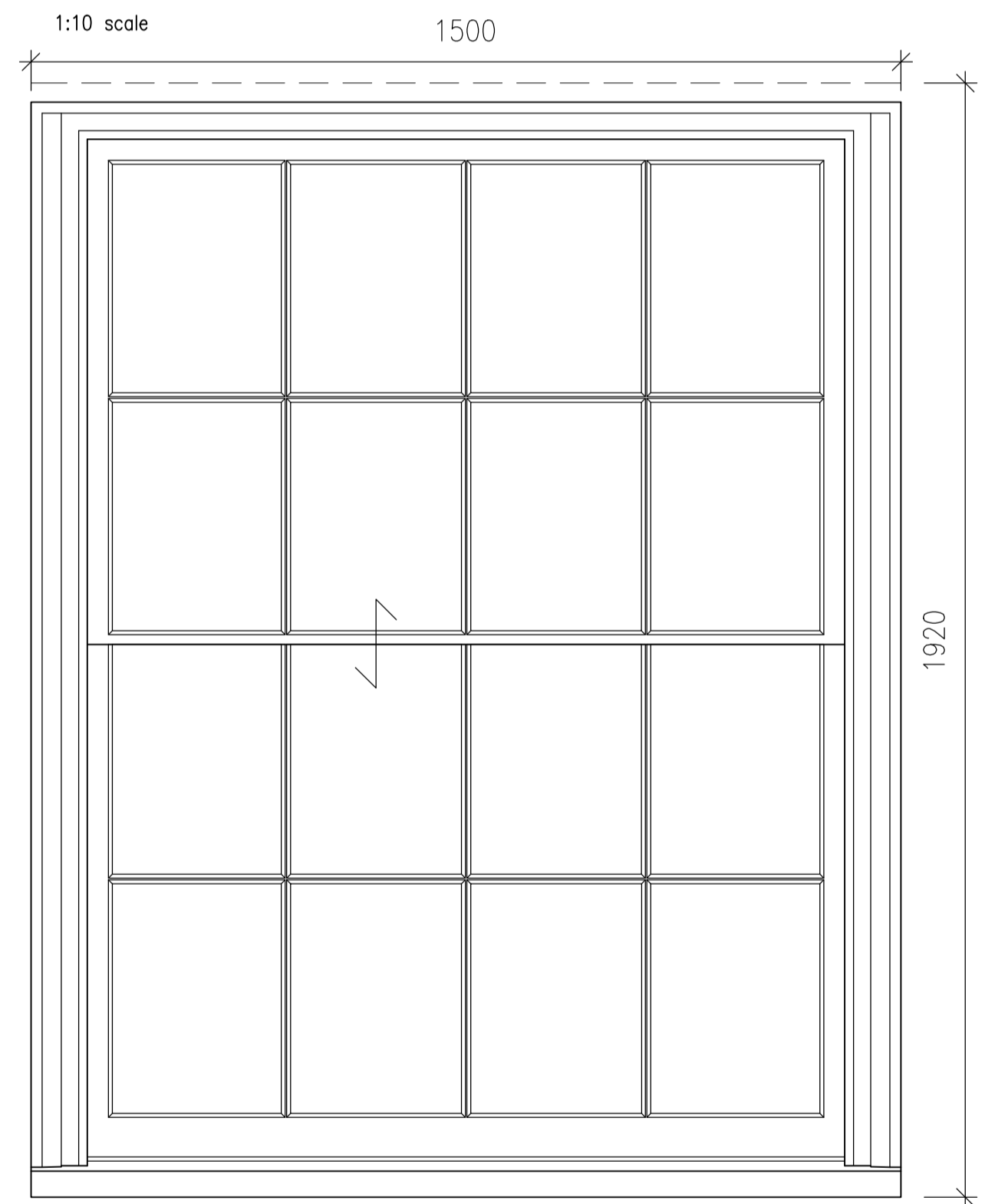


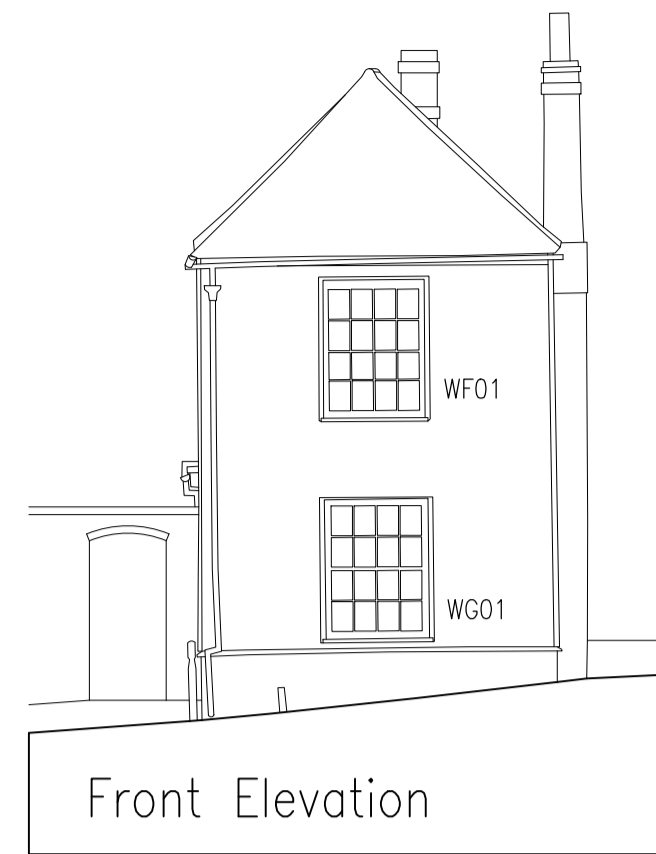
Elevation – WF01
1:10 scale



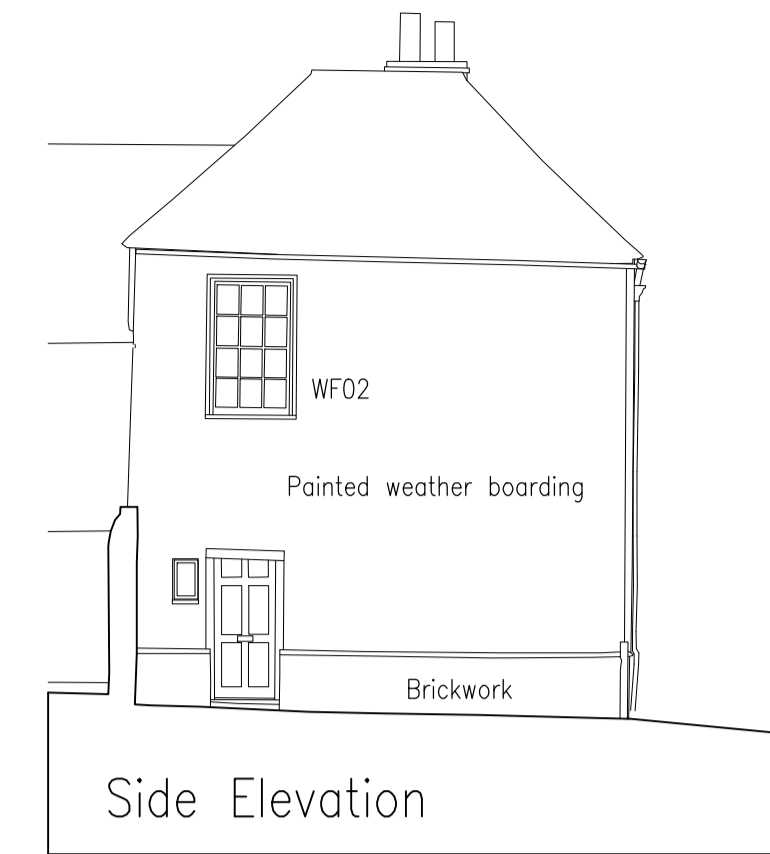
Elevation – WF02
1:10 scale



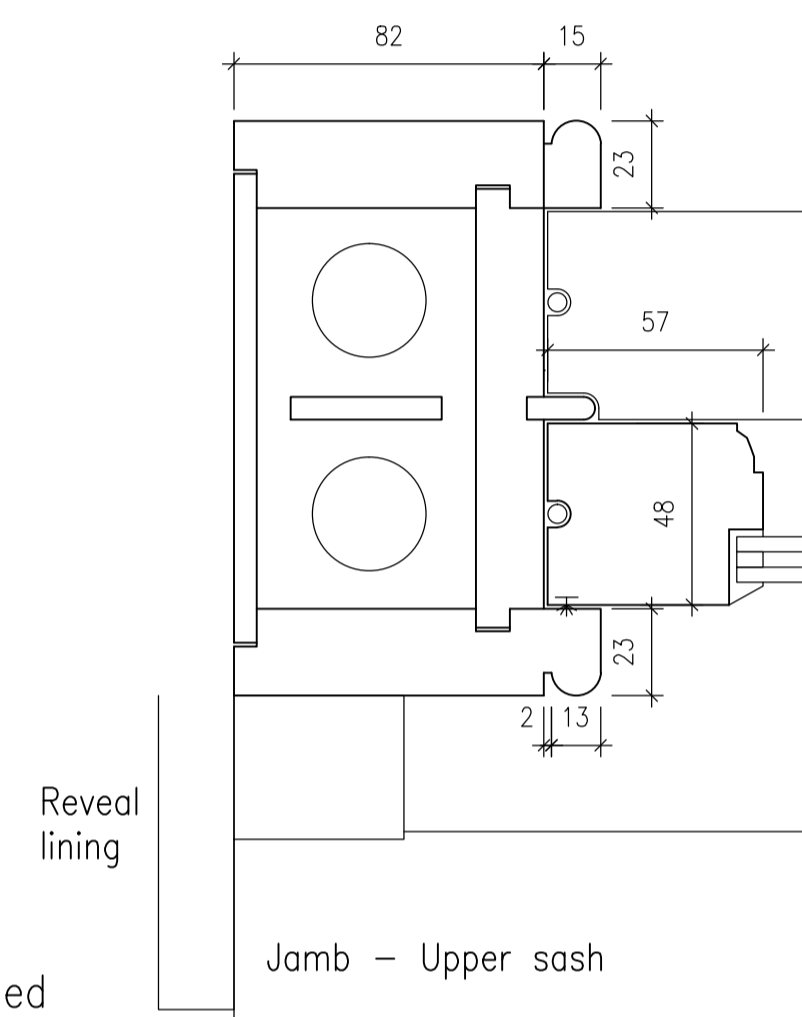
Elevation – WG01
1:10 scale



Front Elevation

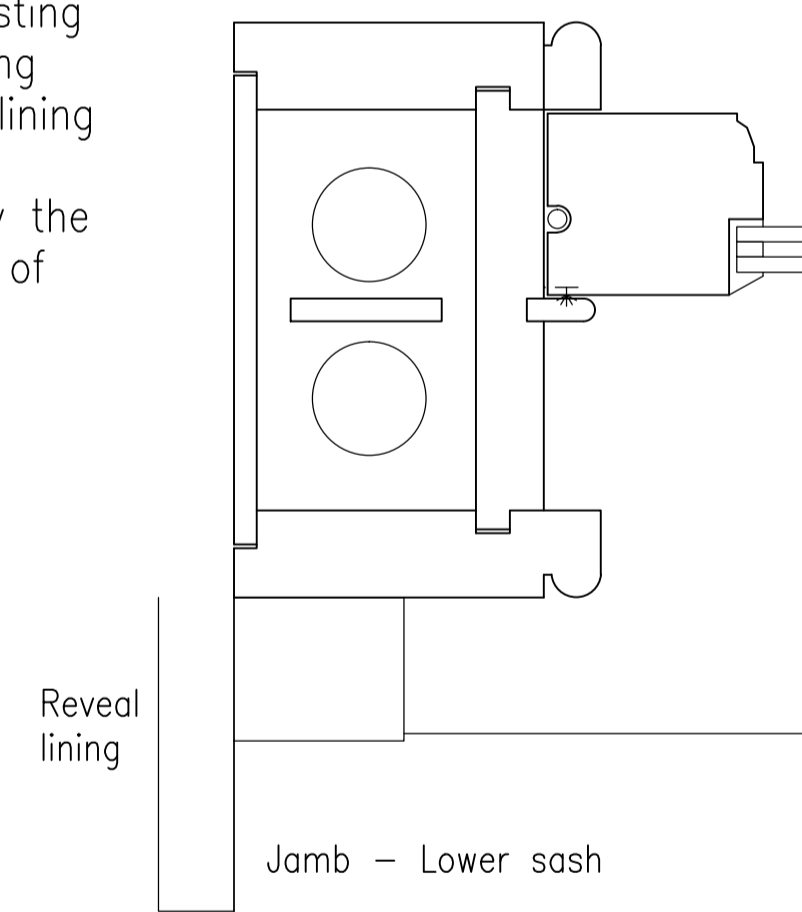


Side Elevation



Reveal lining

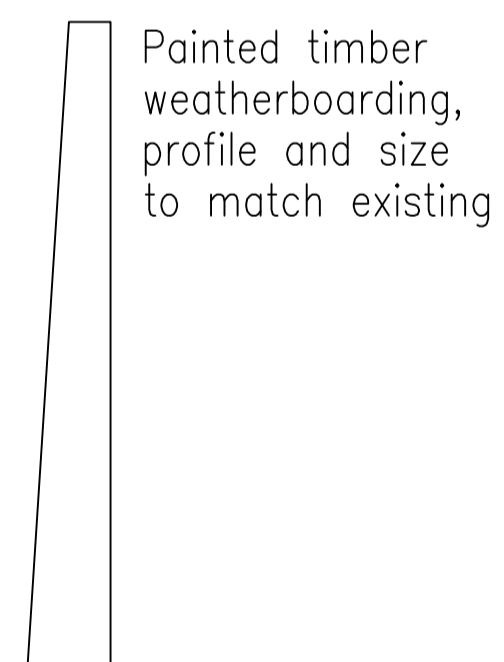
Jamb – Upper sash



Reveal lining

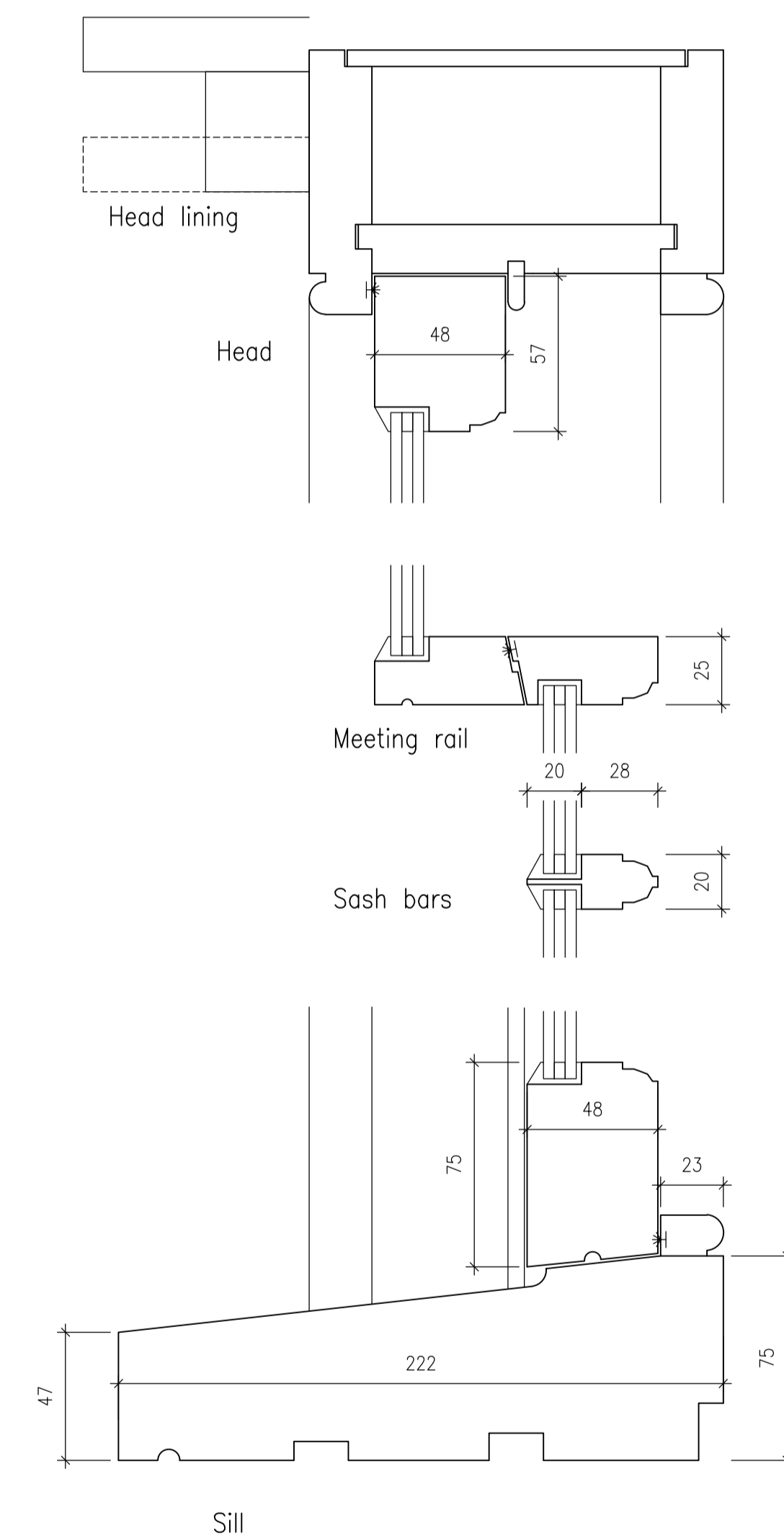
Jamb – Lower sash

Proposed sash windows including hardwood sill all with white point finish, draught stripped and installed as the manufacturer requirements. Window perimeters to suit the existing adjacent painted horizontal boarding including timber reveal and head lining timbers. All window sizes are to be checked and confirmed on site by the window manufacturer before start of manufacture.



Painted timber weatherboarding, profile and size to match existing

Proposed Horizontal Boarding
1:2 scale



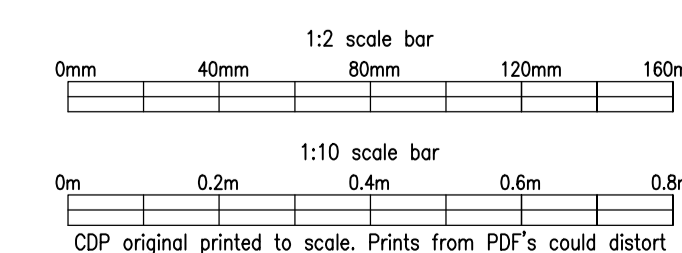
Sill

Proposed Window Details
1:2 scale

Rev.	Description	Int.	Date

Client MR & MRS DUDDY
Job Title DUKE HOUSE HARBLEDOWN

CDP
CDP Architecture Ltd
22-23 North Lane, Canterbury
Kent, CT2 7EE
Tel: 01227 458181 Fax: 01227 451543
info@thinkcdp.com www.thinkcdp.com



Drawing Title PROPOSED JOINERY DETAILS VERTICAL SLIDING SASH WINDOWS
--

Scale	@ A1	AS NOTED	Preliminary/Comment
Drawn	DB		Planning
Date	SEPT 23		Building Regulations
Checked			Tender
			Construction
			As built

858	:	A02
-----	---	-----