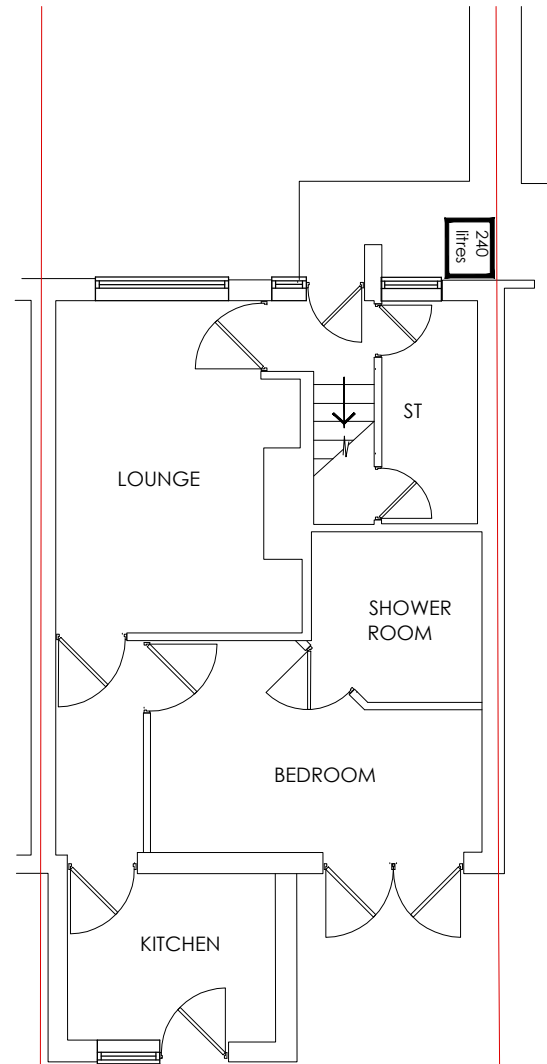
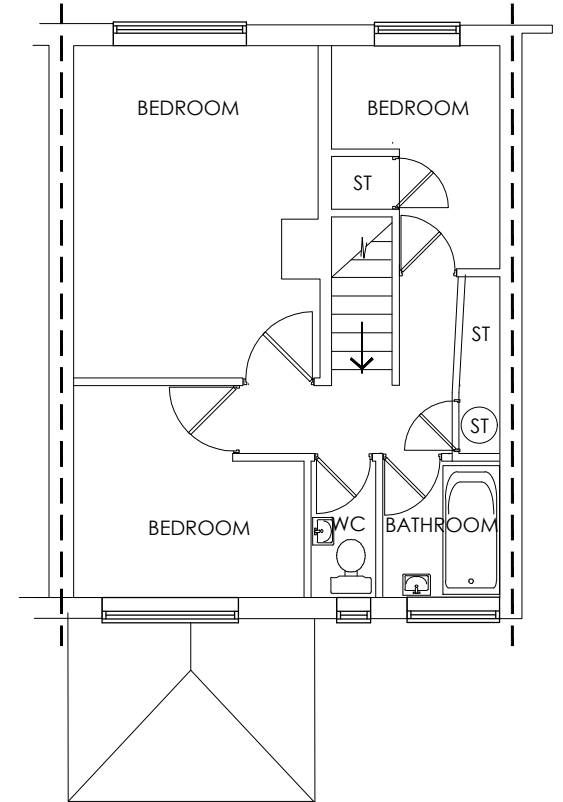




**LOCATION PLAN SCALE 1:625@A1 1:1250@A3**

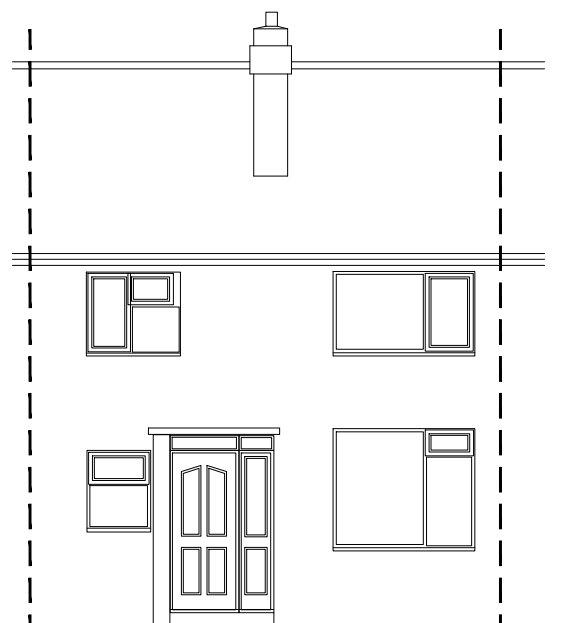


**EXISTING GROUND FLOOR PLAN**



**EXISTING FIRST FLOOR PLAN**

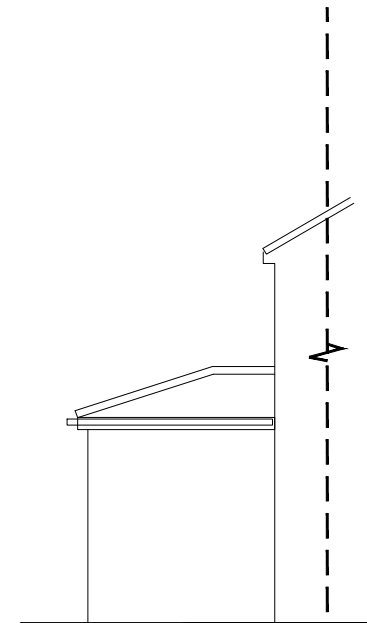
**EXISTING FLOOR PLANS SCALE 1:50@A1 1:100@A3**



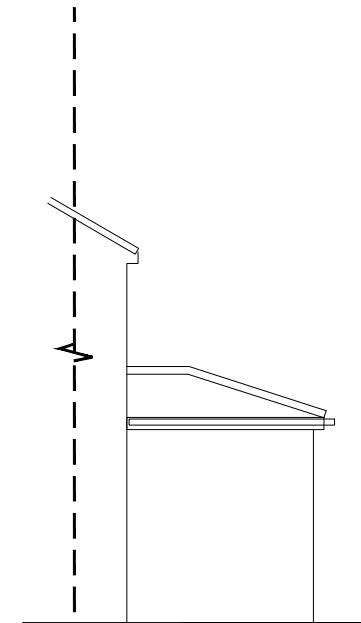
**EXISTING FRONT ELEVATION**



**EXISTING REAR ELEVATION**



**EXISTING SIDE ELEVATION**



**EXISTING SIDE ELEVATION**

**EXISTING ELEVATIONS SCALE 1:50@A1 1:100@A3**

- NOTES:
- DO NOT SCALE FROM THIS DRAWING.
1. This drawing is copyright of sjd Architects Ltd. No part of this drawing may be reproduced in any material form without the written permission of sjd Architects Ltd. WARNING the doing of an unauthorised act in relation to a copyright work may result in both a civil claim for damages and criminal prosecution.
  2. All dimensions to be verified on site prior to any shop or site works being commenced.
  3. Any discrepancies to be reported to the Architect BEFORE any work is put in hand.
  4. This drawing must be read in conjunction with relevant consultants and specialists drawings.
  5. This drawing must be read in conjunction with the drawings specified.
  6. sjd Architects Ltd accepts no liability to third parties arising out of the unlawful reproduction or use of this drawing.

REV DATE DETAILS

**sjd Architects Ltd**

Tanners Bank Design Studio  
Aislabey Road  
Egglecliffe  
Stockton-on-Tees  
TS16 0JJ



01642 780129  
sjdarch@btconnect.com  
www.sjdarchitects.co.uk

CLIENT :  
3021-23  
PROJECT :  
40 LANSDOWNE ROAD, THORNABY

DRAWING TITLE :  
EXISTING DETAILS

PURPOSE OF ISSUE : **PLANNING**

SCALE : AS NOTED

DATE : SEPT 23 DRAWN : sjd

DRAWING NO: 3021-23-100