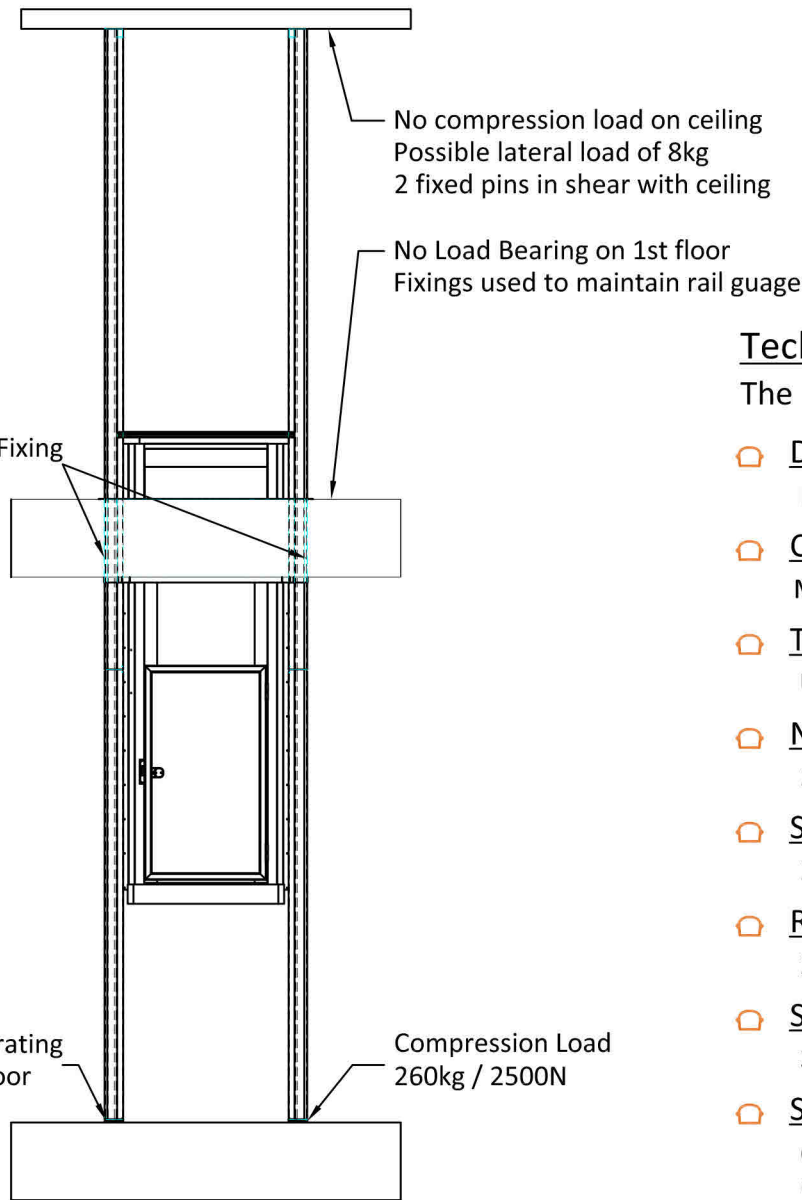


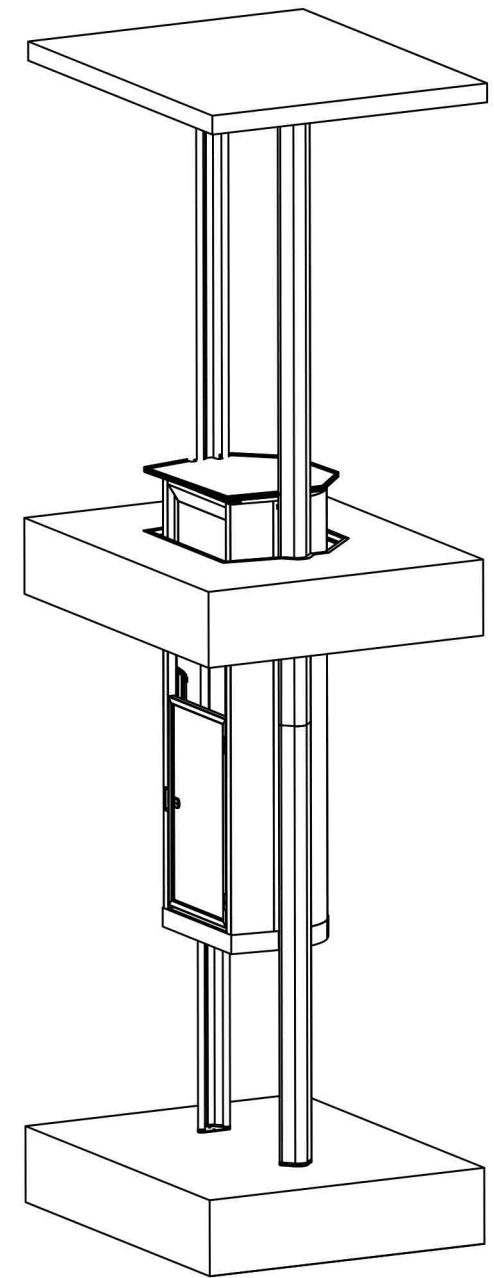
This copy has been made by or with the authority of Midlothian Council pursuant to Section 47 of the Designs and Patents Act 1988. Unless that Act provides a relevant exception to copyright, the copy must not be copied without the prior permission of the copyright owner.

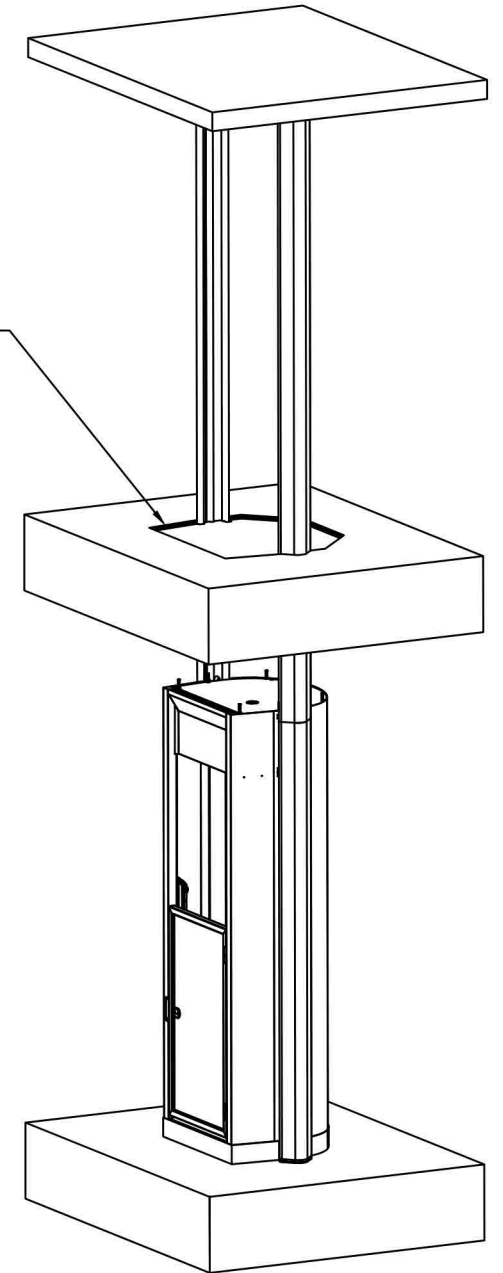
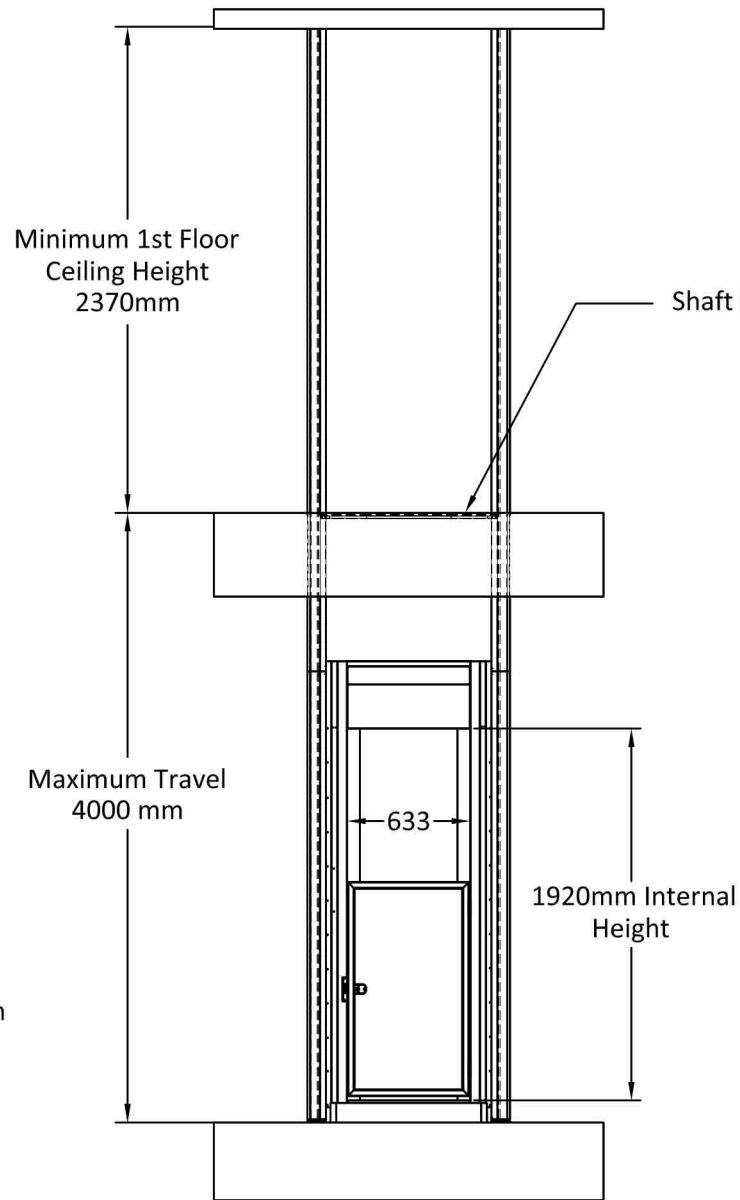
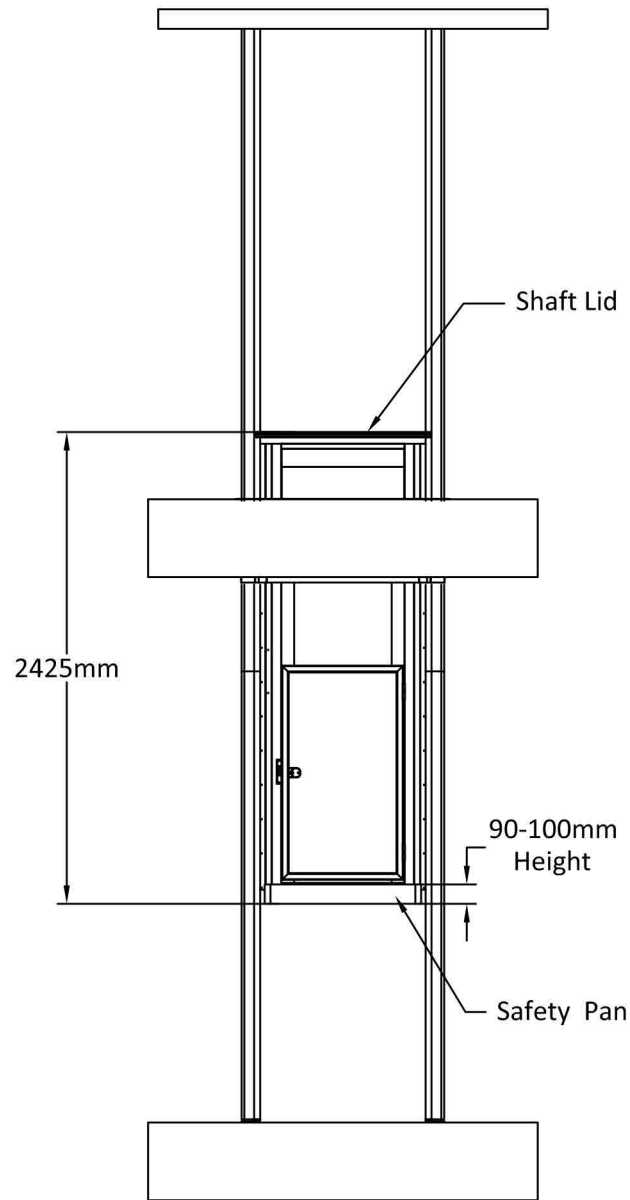


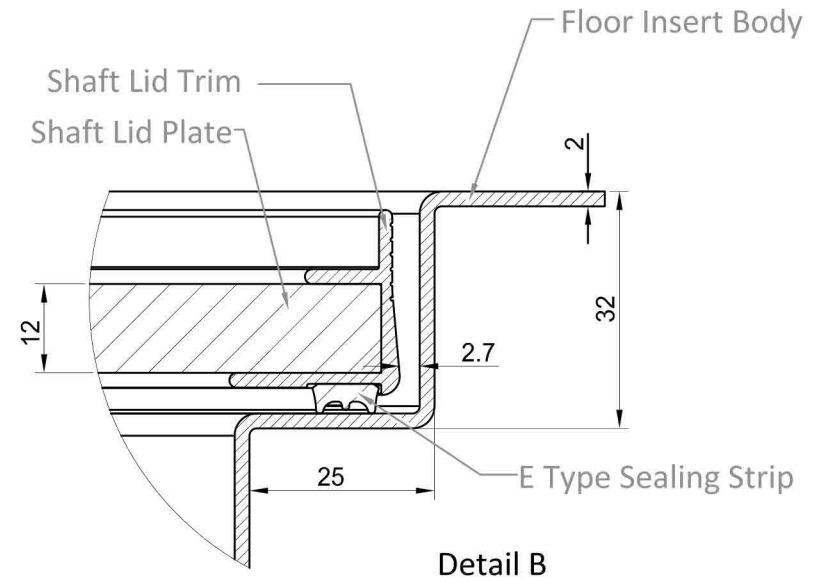
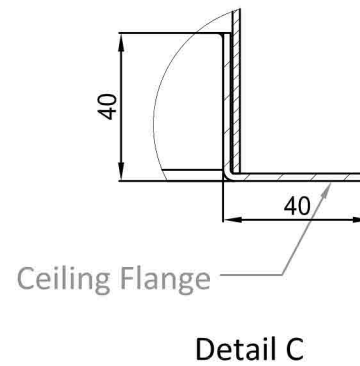
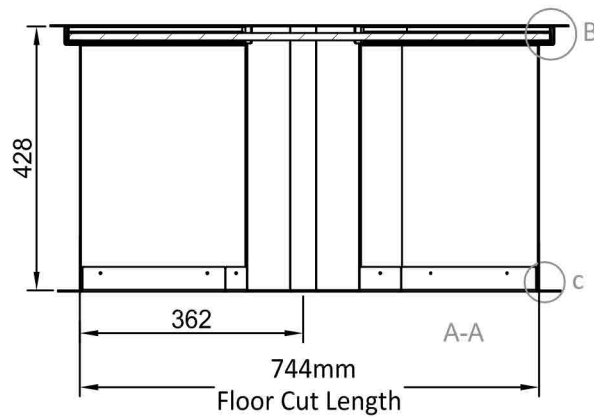
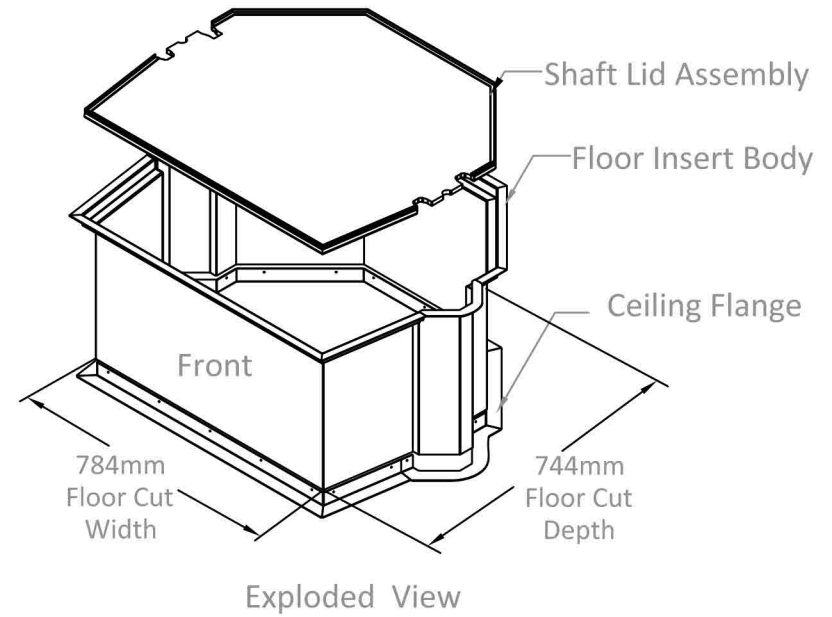
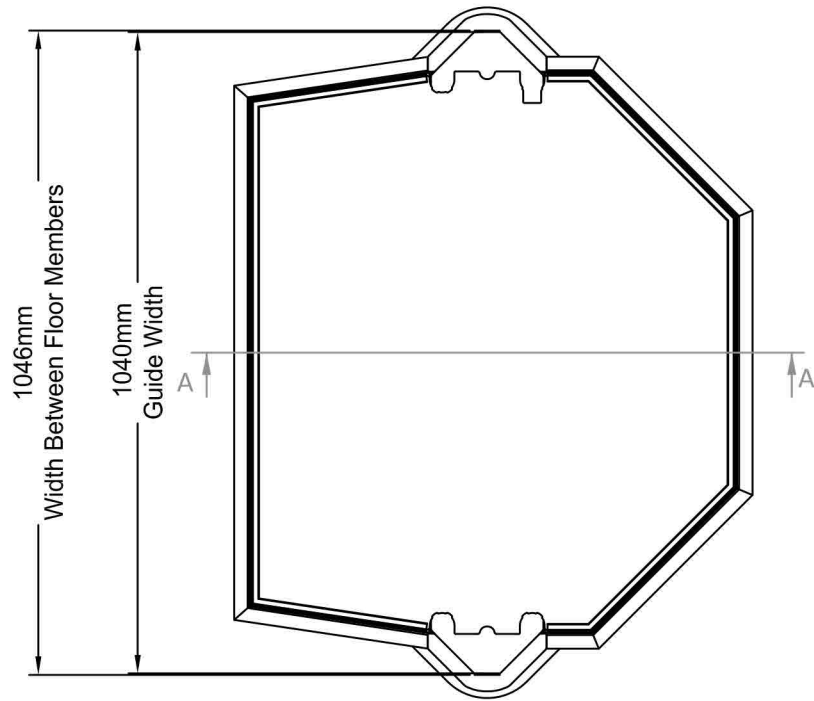
Technical Information:

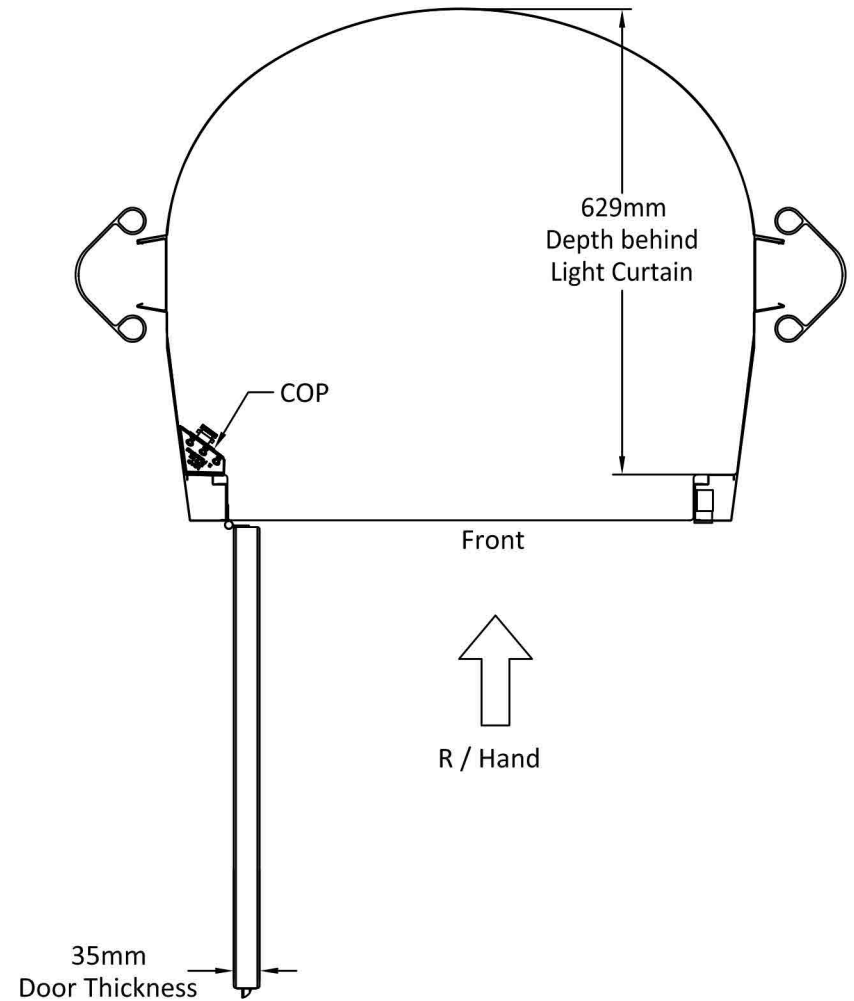
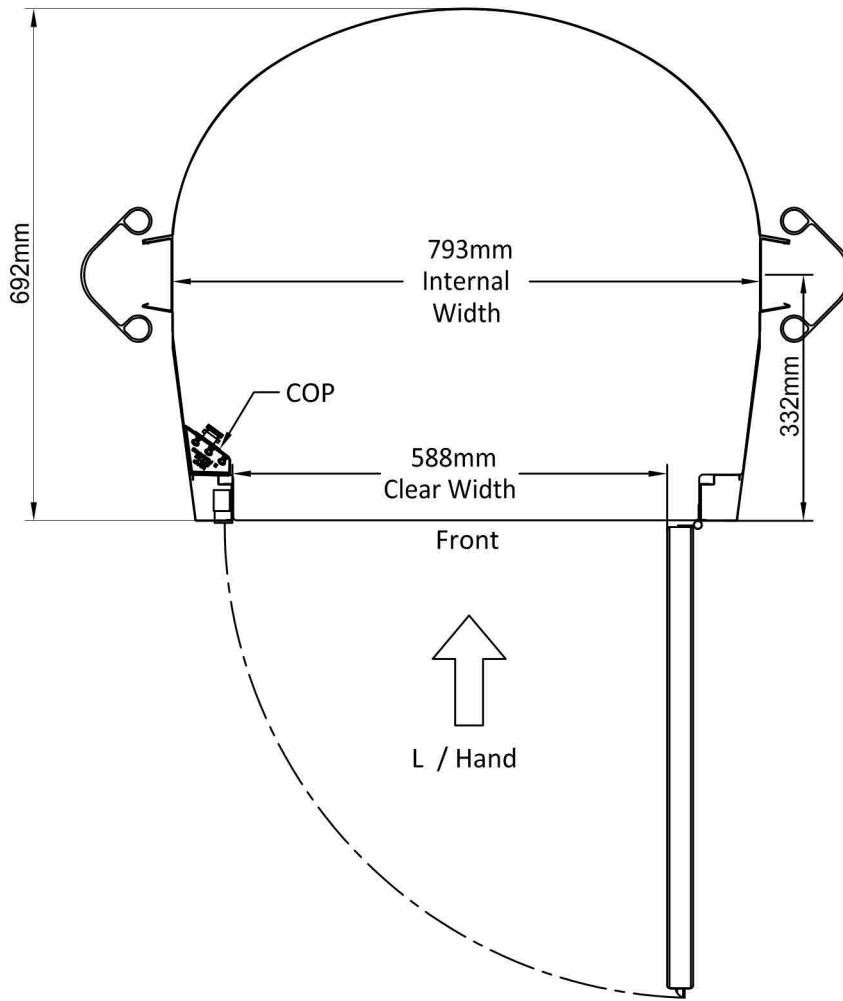
The Duo

- 🔧 **DRIVE SYSTEM:**
Roped Drum, Braked Gear Motor Drive
- 🔧 **CAPACITY:**
MAX Capacity 170kg / 2 persons
- 🔧 **TRAVEL:**
Up to 4000mm
- 🔧 **NO of FLOORS:**
2 Maximum
- 🔧 **SUPPLY VOLTAGE:**
240v 1PH 50HZ
- 🔧 **RUNNING CURRENT:**
2.5 AMP
- 🔧 **STARTING CURRENT:**
3.5 AMP
- 🔧 **STANDARD COLOUR:**
Off White / Cream (RAL 9003)
(Other colours available)

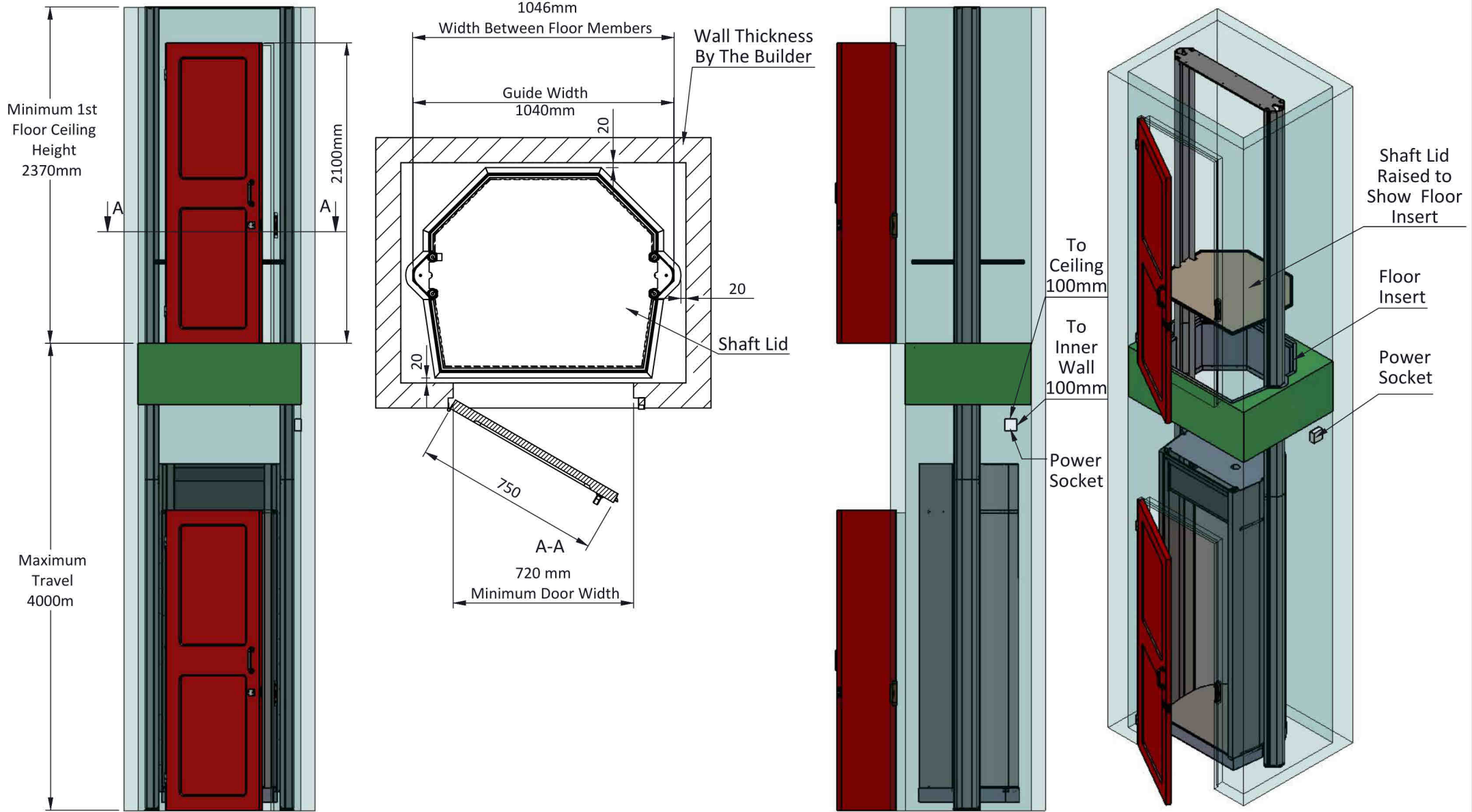








Notes about this Revision	Date



Approved for Manufacture
 By: (Sign)
 Name:.....

GENERAL TOLERANCES (Unless otherwise noted):
 Whole: ± 0.5mm
 Decimal: ± 0.1mm
 Angular: ± 0.25 dg.
 Break ALL sharp corners and remove burrs & swarf.

The information contained herein is the exclusive property of Stiltz Ltd. and shall not be distributed, reproduced, or disclosed in whole or in part without prior written permission of Stiltz Ltd.



© Stiltz Ltd. 2013
Drawn W Wang Date 2015/6/10
THIRD ANGLE PROJECTION - AS 1100

TITLE Duo Lift Shaft Information	
A4	Dwg No
SCALE: 1:35	