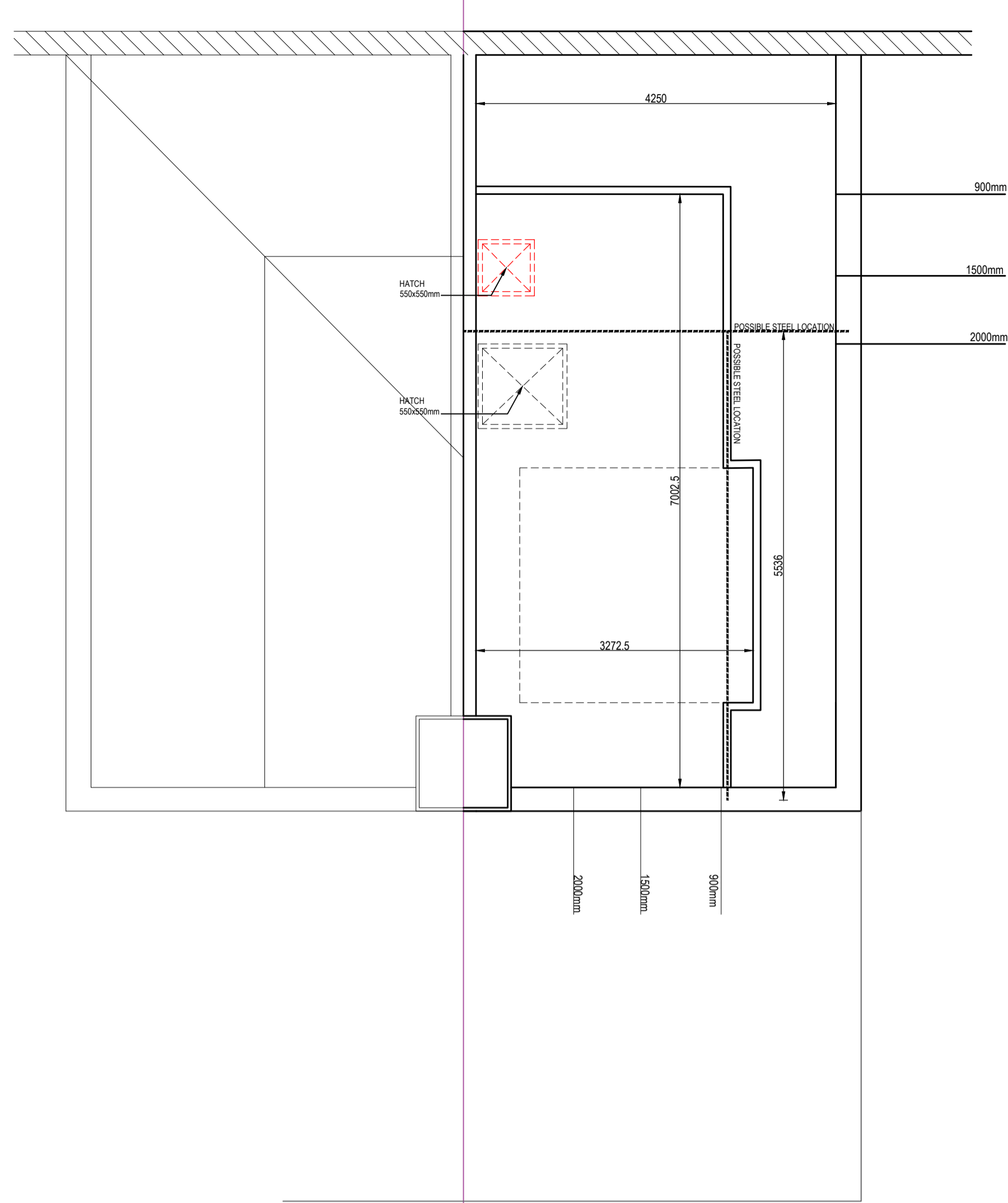
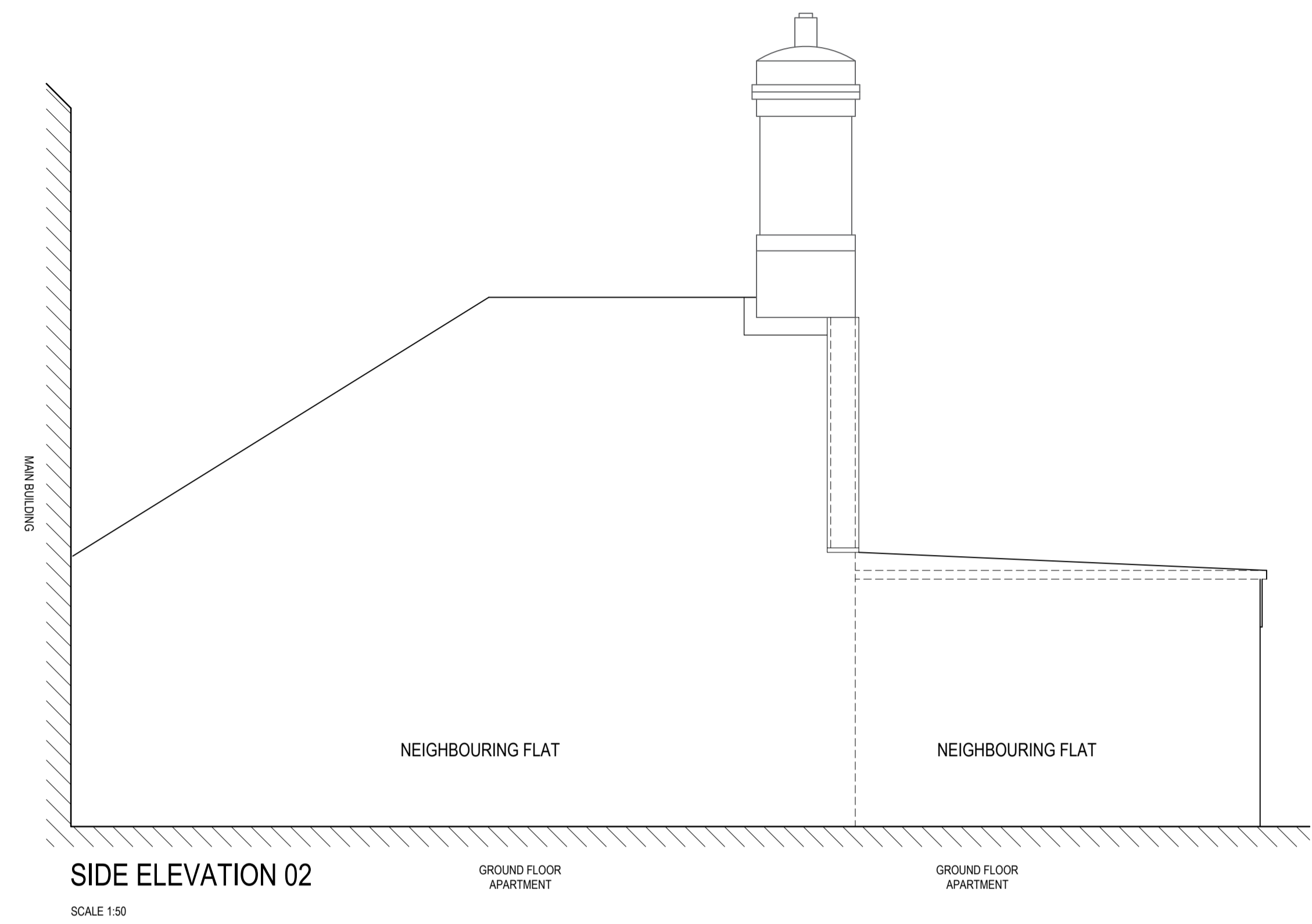


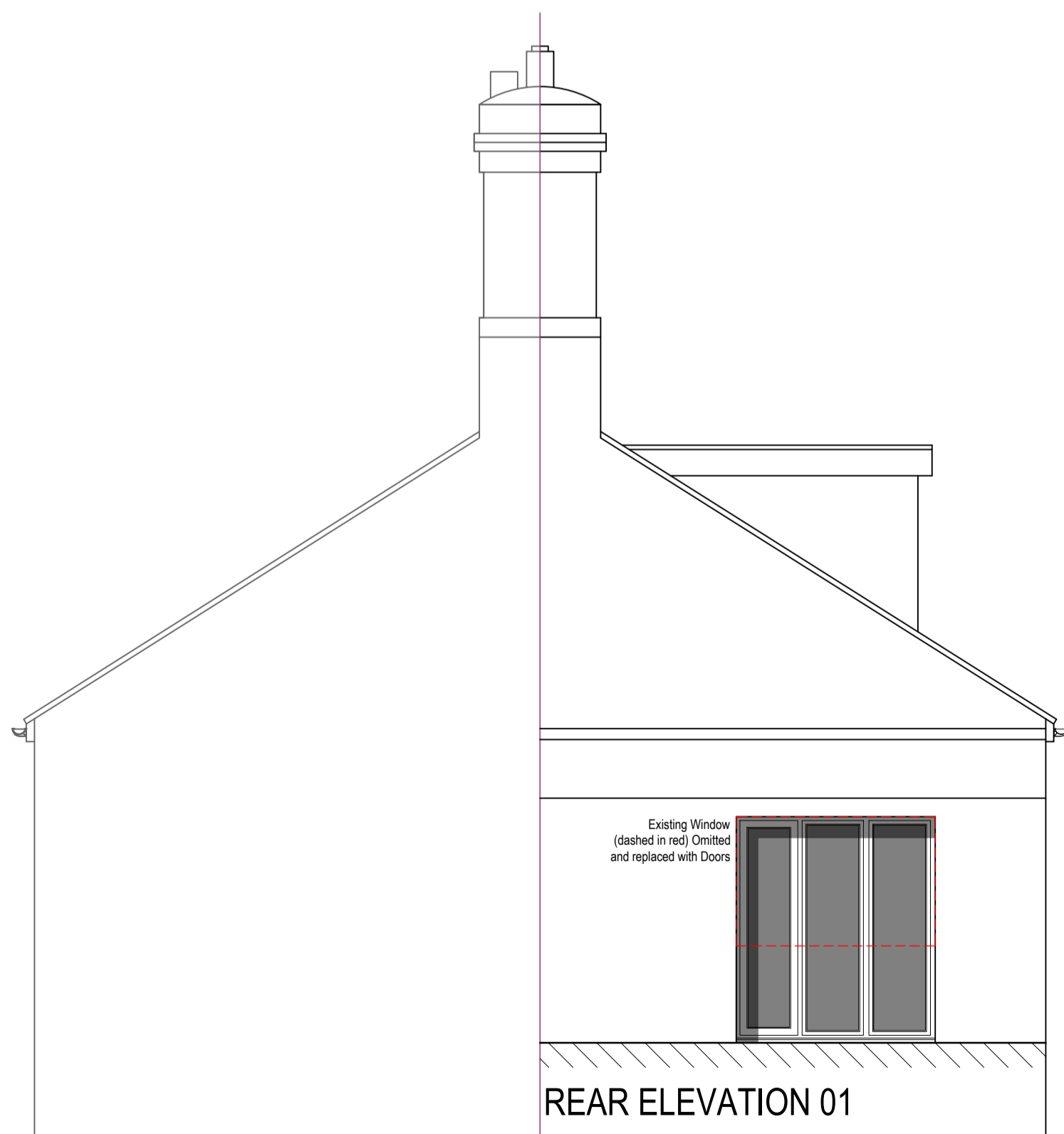
PROPOSED FLOOR PLAN - FLAT 2
SCALE 1:50



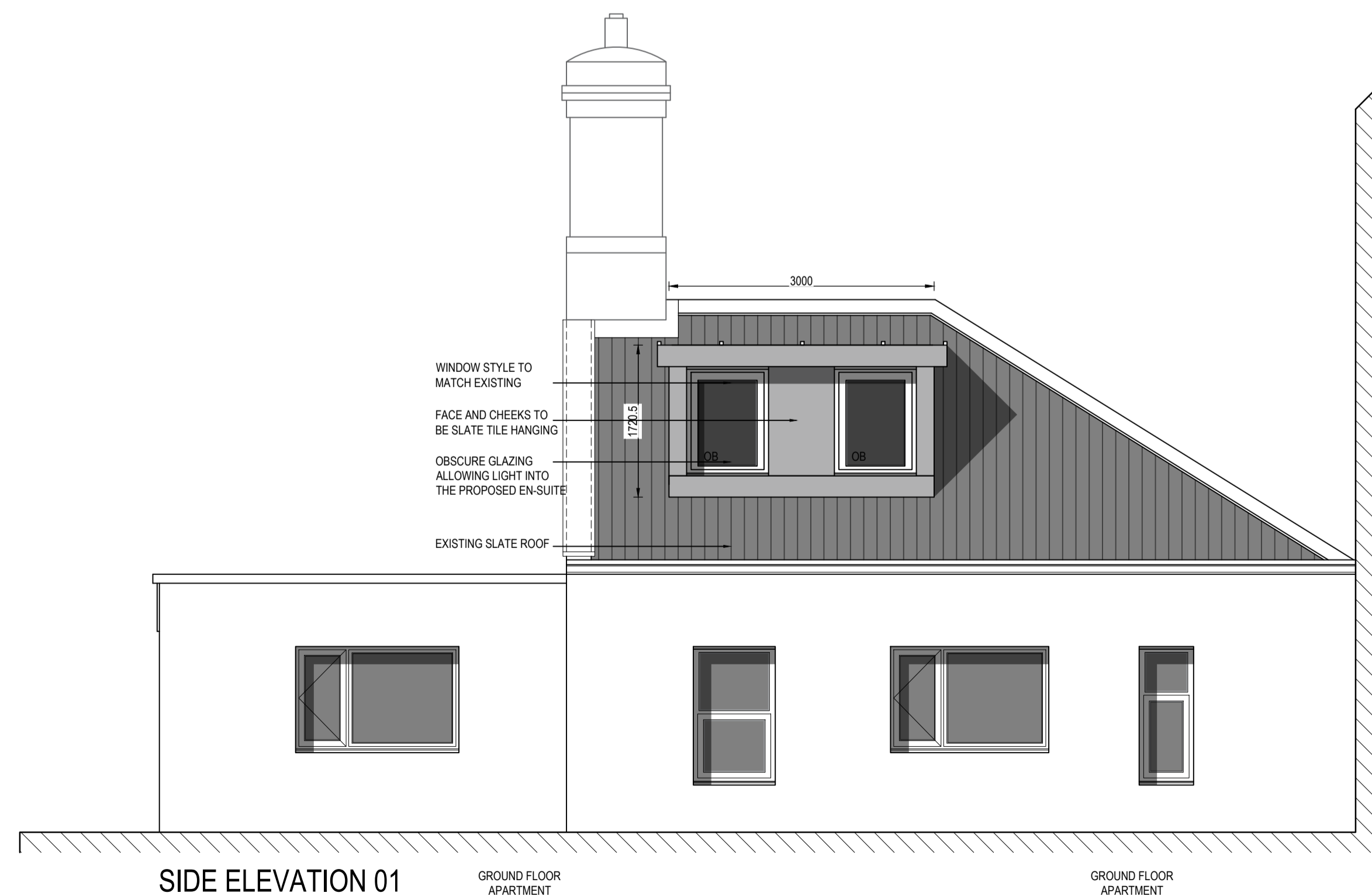
PROPOSED ROOF STRUCTURE
- FLAT 2 - DORMER OPTION



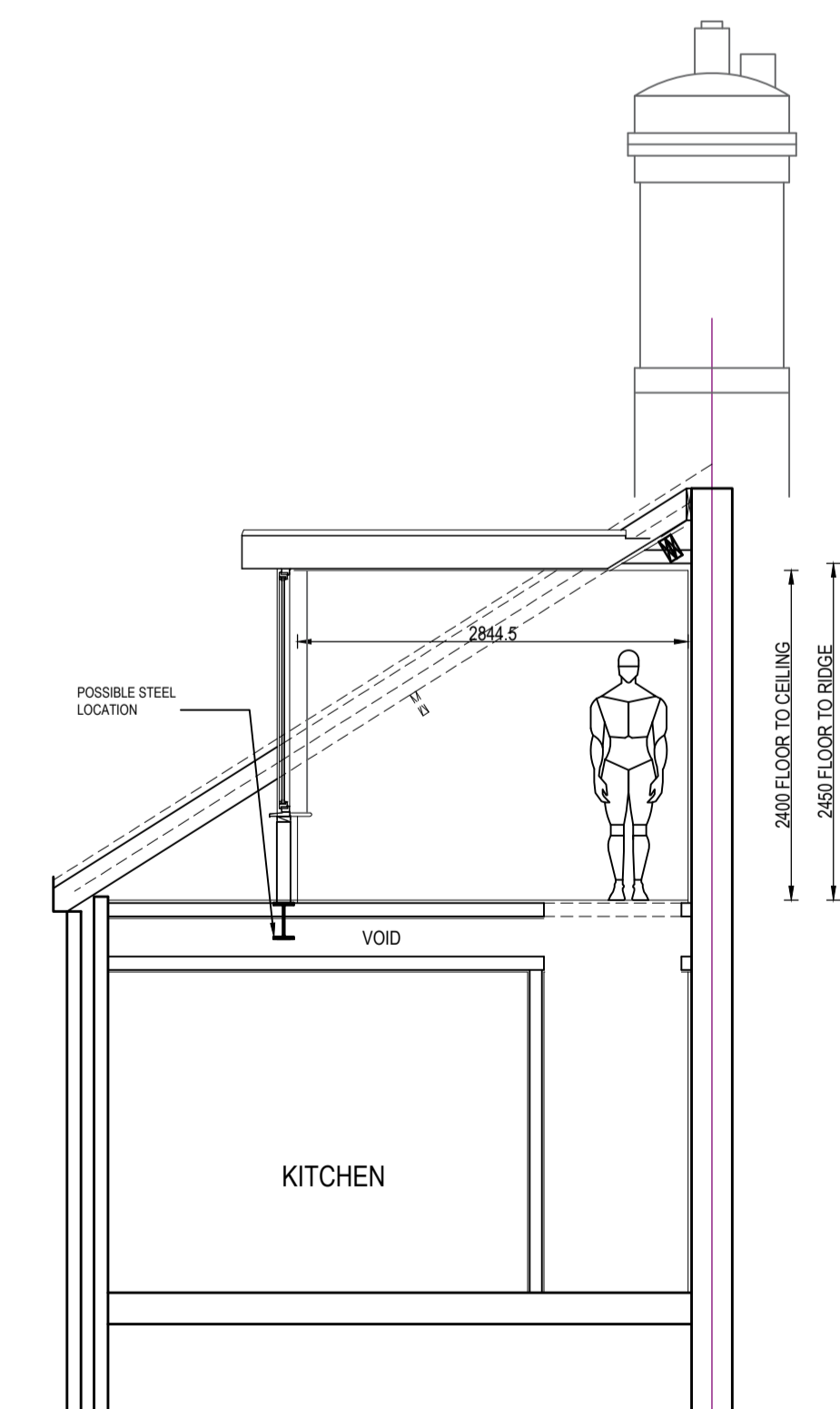
SIDE ELEVATION 02
SCALE 1:50



REAR ELEVATION 01
SCALE 1:50



SIDE ELEVATION 01
SCALE 1:50



PROPOSED SECTION 1

status	PLANNING		
job / client	FLAT 2 - WARKWORTH TERRACE, TYNEMOUTH, NE30 4ES		
drawing title	MR CARL HAGEMANN		
project no.	drawing no.	revision	date
F2WAR	PL-04	-	NOVEMBER 2023
scale	drawn by	sheet size	
1:50	C.DOUGLAS	A1	